




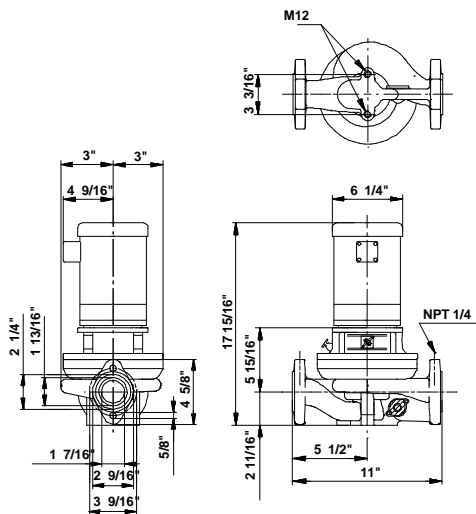
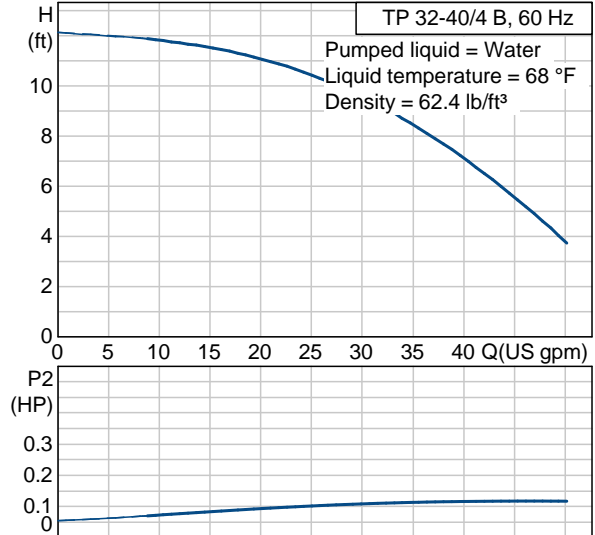
| Position | Count | Description   | Unit price |
|----------|-------|---|------------|
|          | -1    | <p><b>TP 32-40/4 B U-G-Z-BUBE</b></p>  <p>Product photo could vary from the actual product</p> <p>Product No.: 96411781<br/>                     Single-stage centrifugal in-line single-head pump.</p> <p>The in-line design with opposite suction and discharge ports enables mounting in pipework or on a concrete foundation.</p> <p>The shaft seal is a corrosion-resistant maintenance-free mechanical seal.</p> <p>The motor is a 3-phase AC motor.</p> <p><b>Liquid:</b><br/>                     Liquid temperature range: 5 .. 284 °F<br/>                     Liquid temp: 68 °F</p> <p><b>Technical:</b><br/>                     Speed for pump data: 1780 rpm<br/>                     Actual calculated flow: 30.8 US gpm<br/>                     Resulting head of the pump: 9.43 ft<br/>                     Shaft seal: BUBE<br/>                     Maximum operating pressure: 145 psi<br/>                     Approvals on motor nameplate: UL Recognized Component, CSA</p> <p><b>Materials:</b><br/>                     Pump housing: Bronze<br/>                     DIN W.-Nr. 2.1093<br/>                     Impeller: Stainless steel<br/>                     DIN W.-Nr. 1.4301<br/>                     AISI 304</p> <p><b>Installation:</b><br/>                     Maximum ambient temperature: 104 °F<br/>                     Maximum operating pressure: 145 psi<br/>                     Flange standard: USA<br/>                     Pipe connection: 1 1/4"</p> <p><b>Electrical data:</b><br/>                     Motor type: Baldor, TEFC</p> | On request |



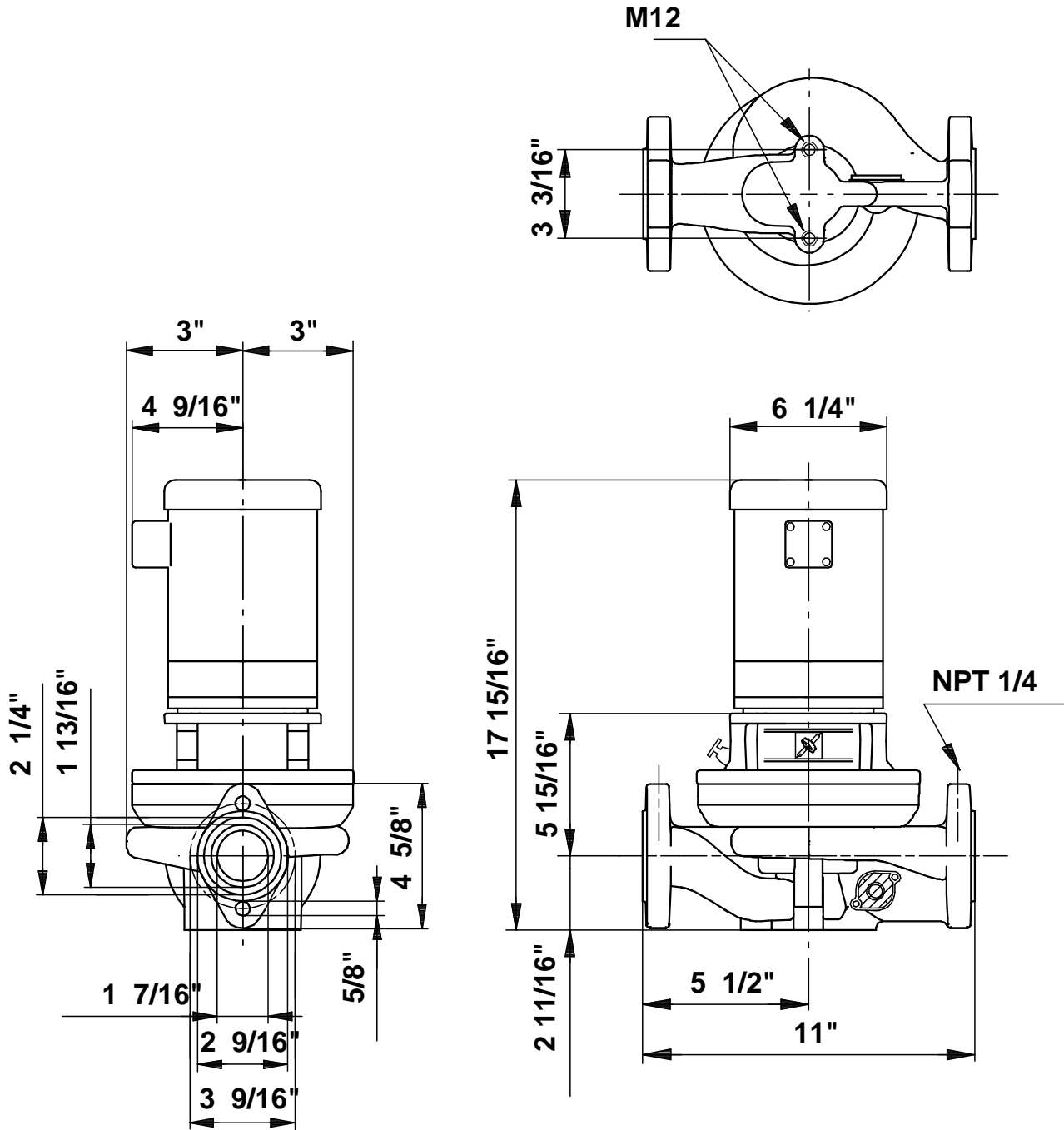
Company name: -  
 Created by: -  
 Phone: -  
 Fax: -  
 Date: -

| Position | Count | Description  | Unit price |
|----------|-------|--|------------|
|          |       | Number of poles: 4<br>Rated power - P2: 0.335 HP<br>Main frequency: 60 Hz<br>Rated voltage: 3 x 208-230/460 V<br>Service factor: 1,35<br>Rated current: 1,8-1,6/,8 A<br>Starting current: 9,7-8,8/4,4 A<br>Cos phi - power factor: 57<br>Rated speed: 1725 rpm<br>Motor efficiency at full load: 68 %<br>Insulation class (IEC 85): B<br><br><b>Others:</b><br>Net weight: 54.2 lb<br>Gross weight: 61.5 lb<br>Shipping volume: 1.98 ft <sup>3</sup> |            |

| Description                    | Value  |
|--------------------------------|--|
| Product name:                  | TP 32-40/4 B U-G-Z-BUBE U-G-Z BUBE               |
| Product Number:                | 96411781   |
| EAN number:                    | 5700390523466                                    |
| <b>Technical:</b>              |  |
| Speed for pump data            | 1780 rpm   |
| Actual calculated flow:        | 30.8 US gpm                                      |
| Resulting head of the pump:    | 9.43 ft  |
| Head max:                      | 13.1 ft  |
| Shaft seal:                    | BUBE   |
| Maximum operating pressure     | 145 psi  |
| Approvals on motor nameplate:  | UL Recognized Component, CSA                     |
| Pump Number:                   | 96405249   |
| Pump version:                  | U  |
| <b>Materials:</b>              |  |
| Pump housing:                  | Bronze<br>DIN W.-Nr. 2.1093                      |
| Impeller:                      | Stainless steel<br>DIN W.-Nr. 1.4301<br>AISI 304 |
| Material code:                 | Z  |
| <b>Installation:</b>           |  |
| Maximum ambient temperature:   | 104 °F   |
| Maximum operating pressure     | 145 psi  |
| Flange standard:               | USA  |
| Connect code:                  | G  |
| Pipe connection:               | 1 1/4"   |
| <b>Liquid:</b>                 |  |
| Liquid temperature range       | 5 .. 284 °F                                      |
| Liquid temp:                   | 68 °F  |
| <b>Electrical data:</b>        |  |
| Motor type:                    | Baldor, TEFC                                     |
| Number of poles:               | 4  |
| Rated power - P2:              | 0.335 HP   |
| KVA code:                      | M  |
| Main frequency:                | 60 Hz  |
| Rated voltage:                 | 3 x 208-230/460 V                                |
| Service factor:                | 1,35   |
| Rated current:                 | 1,8-1,6/8 A                                      |
| Starting current               | 9,7-8,8/4,4 A                                    |
| Load current:                  | 1,9-1,8/9 A                                      |
| Cos phi - power factor:        | 57   |
| Rated speed:                   | 1725 rpm   |
| Motor efficiency at full load: | 68 %   |
| Insulation class (IEC 85):     | B  |
| Motor protection:              | NONE   |
| Motor Number:                  | 84652601   |
| <b>Others:</b>                 |  |
| Net weight:                    | 54.2 lb  |
| Gross weight:                  | 61.5 lb  |
| Shipping volume:               | 1.98 ft³   |
| Country code:                  | Namreg   |



96411781 TP 32-40/4 B 60 Hz



Note! All units are in [mm] unless others are stated.  
 Disclaimer: This simplified dimensional drawing does not show all details.