




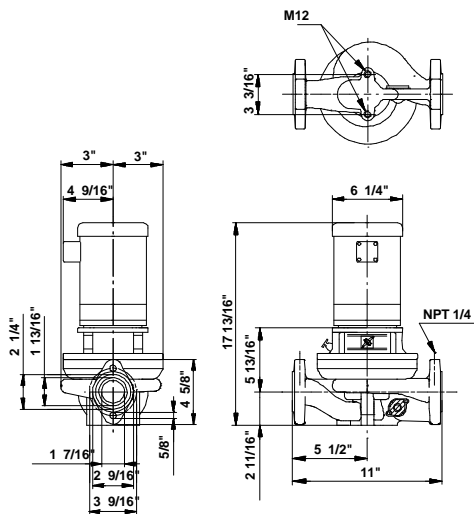
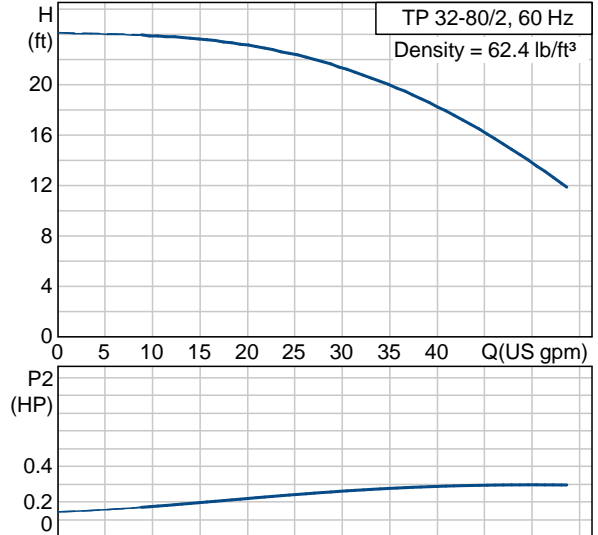
Position	Count	Description	Unit price
	-1	<p>TP 32-80/2 U-G-A-BUBE</p>  <p>Product photo could vary from the actual product</p> <p>Product No.: 96411782 Single-stage centrifugal in-line single-head pump.</p> <p>The in-line design with opposite suction and discharge ports enables mounting in pipework or on a concrete foundation.</p> <p>The shaft seal is a corrosion-resistant maintenance-free mechanical seal.</p> <p>The motor is a 1-phase AC motor.</p> <p>Liquid: Liquid temperature range: 5 .. 284 °F Density: 62.4 lb/ft³</p> <p>Technical: Speed for pump data: 3530 rpm Rated flow: 37.4 US gpm Rated head: 19.4 ft Shaft seal: BUBE Maximum operating pressure: 145 psi Approvals on motor nameplate: UL Recognized Component, CSA</p> <p>Materials: Pump housing: Cast iron EN-JL1040 ASTM 25 B Impeller: Stainless steel DIN W.-Nr. 1.4301 AISI 304</p> <p>Installation: Maximum ambient temperature: 104 °F Maximum operating pressure: 145 psi Flange standard: USA Pipe connection: 1 1/4"</p> <p>Electrical data:</p>	On request



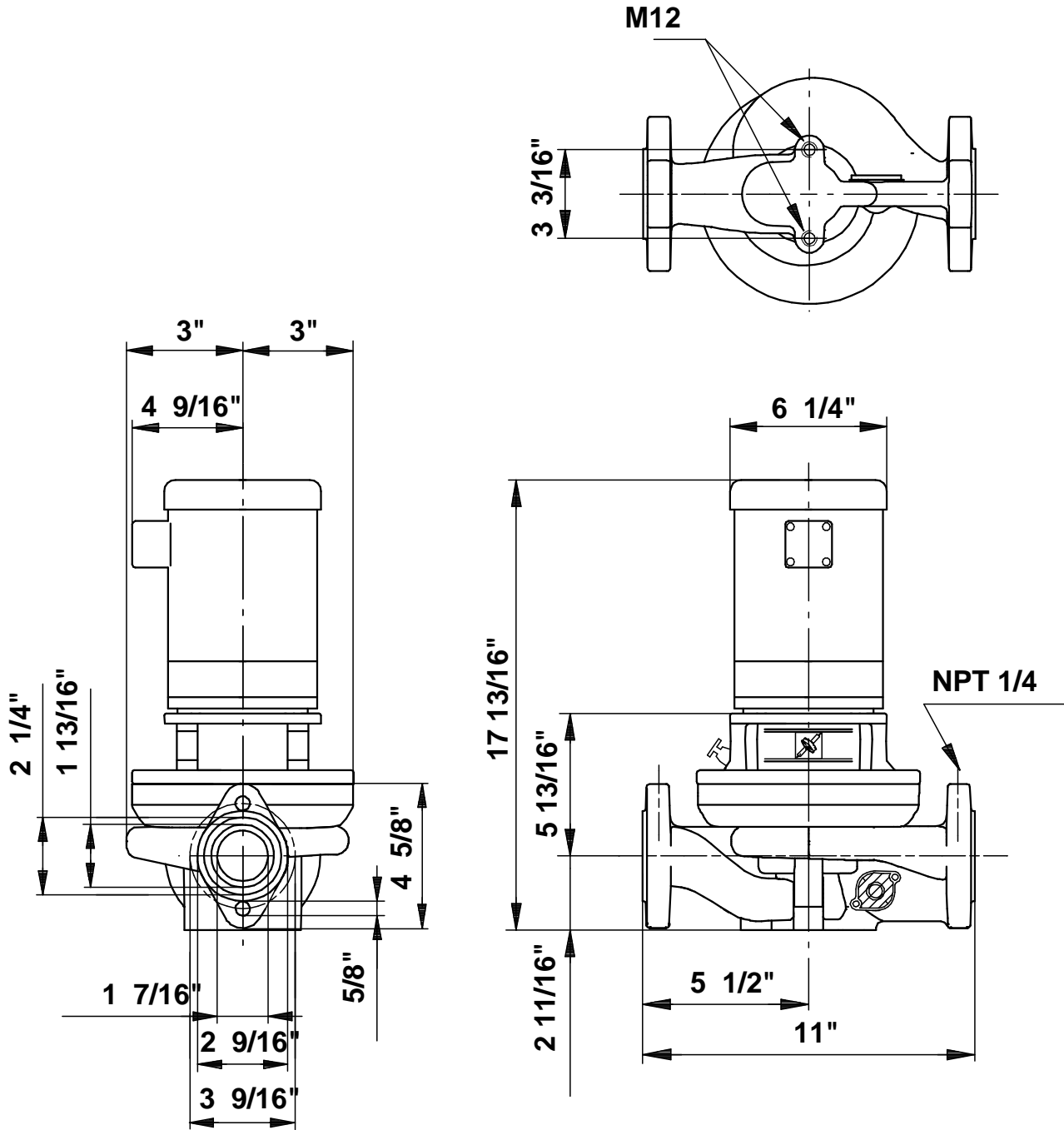
Company name: -
Created by: -
Phone: -
Fax: -
Date: -

Position	Count	Description	Unit price
		Motor type: Baldor, TEFC Number of poles: 2 Rated power - P2: 0.496 HP Main frequency: 60 Hz Rated voltage: 1 x 115/208-230 V Service factor: 1,6 Rated current: 7,4/4,1-3,7 A Starting current: 39/21,7-19,9 A Cos phi - power factor: 69 Rated speed: 3450 rpm Motor efficiency at full load: 62 % Insulation class (IEC 85): B Others: Net weight: 51.4 lb Gross weight: 58 lb Shipping volume: 1.98 ft ³	

Description	Value
Product name:	TP 32-80/2 U-G-A-BUBE U-G-A BUBE
Product Number:	96411782
EAN number:	5700390523510
Technical:	
Speed for pump data	3530 rpm
Rated flow:	37.4 US gpm
Rated head:	19.4 ft
Head max:	26.2 ft
Shaft seal:	BUBE
Maximum operating pressure	145 psi
Approvals on motor nameplate:	UL Recognized Component, CSA
Pump Number:	96405248
Pump version:	U
Materials:	
Pump housing:	Cast iron EN-JL1040 ASTM 25 B
Impeller:	Stainless steel DIN W.-Nr. 1.4301 AISI 304
Material code:	A
Installation:	
Maximum ambient temperature:	104 °F
Maximum operating pressure	145 psi
Flange standard:	USA
Connect code:	G
Pipe connection:	1 1/4"
Liquid:	
Liquid temperature range	5 .. 284 °F
Density:	62.4 lb/ft³
Electrical data:	
Motor type:	Baldor, TEFC
Number of poles:	2
Rated power - P2:	0.496 HP
KVA code:	K
Main frequency:	60 Hz
Rated voltage:	1 x 115/208-230 V
Service factor:	1,6
Rated current:	7,4/4,1-3,7 A
Starting current	39/21,7-19,9 A
Load current:	9,1/4,9-4,6 A
Cos phi - power factor:	69
Rated speed:	3450 rpm
Motor efficiency at full load:	62 %
Insulation class (IEC 85):	B
Motor protection:	CONTACT
Thermal protec:	internal
Motor Number:	85700002
Others:	
Net weight:	51.4 lb
Gross weight:	58 lb
Shipping volume:	1.98 ft³
Country code:	Namreg



96411782 TP 32-80/2 60 Hz



Note! All units are in [mm] unless others are stated.
 Disclaimer: This simplified dimensional drawing does not show all details.