
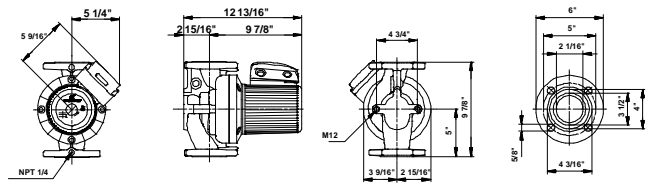




Position	Count	Description	Unit price
	-1	<p><b>UP 53-46</b></p>  <p>Product photo could vary from the actual product</p> <p>Product No.: 96633591                      The pump is of the canned rotor type, i.e. pump and motor form an integral unit without shaft seal and with only two gaskets for sealing. The bearings are lubricated by the pumped liquid.</p> <p>In order to avoid problems in connection with disposal, great importance has been attached to using as few different materials as possible.</p> <p><b>The pump is characterized by:</b></p> <ul style="list-style-type: none"> <li>* 3-speed motor.</li> <li>* Ceramic radial bearings.</li> <li>* Carbon axial bearing.</li> <li>* Stainless steel rotor can, bearing plate and rotor cladding.</li> <li>* Aluminium alloy stator housing.</li> <li>* Cast iron pump housing.</li> <li>* Stator with built-in thermal switch.</li> </ul> <p>The motor is a 1-phase motor.</p> <p>The pump is supplied with a standard module in the terminal box. The standard module is to be connected to the mains supply via external contactor.</p> <p><b>Controls:</b>                      Relay: with relay</p> <p><b>Liquid:</b>                      Liquid temperature range: 14 .. 230 °F                      Liquid temp: 68 °F</p> <p><b>Technical:</b>                      Maximum operating pressure: 145 psi                      Approvals on nameplate: CUL</p> <p><b>Materials:</b>                      Pump housing: Cast iron</p>	On request

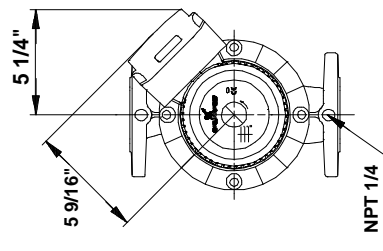
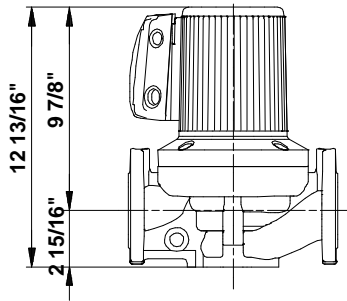
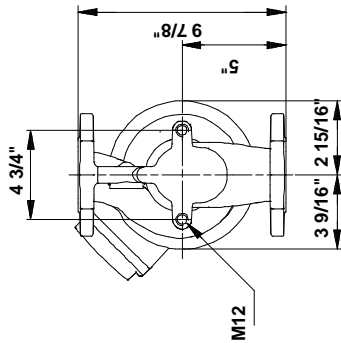
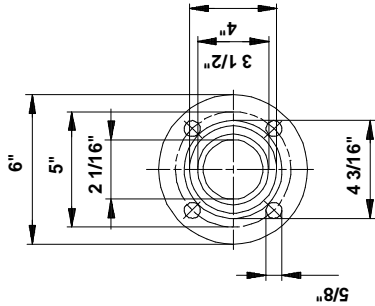
Position	Count	Description	Unit price
		<p>EN-JL1040            ASTM 35 B - 40 B            Impeller: Stainless steel            DIN W.-Nr. 1.4301            AISI 304</p> <p><b>Installation:</b>            Range of ambient temperature: 32 .. 104 °F            Maximum operating pressure: 145 psi            Flange standard: USA            Type of connection: F            Pipe connection: 53            Pressure stage: 145 psi            Port-to-port length: 9 7/8" mm</p> <p><b>Electrical data:</b>            Max. power input: 420 W            Main frequency: 60 Hz            Rated voltage: 1 x 115/230 V            Current in speed 3: 3.9/2.1 A            Cos phi: 0,90            Capacitor size - run: 50 µF/240 V            Enclosure class (IEC 34-5): X4D            Insulation class (IEC 85): F</p> <p><b>Others:</b>            Net weight: 44.5 lb            Gross weight: 52.5 lb            Shipping volume: 2.12 ft<sup>3</sup></p>	

Description	Value
Product name:	UP 53-46 F
Product Number:	96633591
EAN number:	5700835482518
<b>Technical:</b>	
Speed Number:	1
Head max:	15.1 ft
Maximum operating pressure:	145 psi
Approvals on nameplate:	CUL
Model:	C
<b>Materials:</b>	
Pump housing:	Cast iron EN-JL1040 ASTM 35 B - 40 B
Impeller:	Stainless steel DIN W.-Nr. 1.4301 AISI 304
<b>Installation:</b>	
Range of ambient temperature	32 .. 104 °F
Maximum operating pressure	145 psi
Flange standard:	USA
Type of connection:	F
Pipe connection:	53
Pressure stage:	145 psi
Port-to-port length:	9 7/8" mm
<b>Liquid:</b>	
Liquid temperature range	14 .. 230 °F
Liquid temp:	68 °F
<b>Electrical data:</b>	
Max. power input:	420 W
Main frequency:	60 Hz
Rated voltage:	1 x 115/230 V
Current in speed 3	3.9/2.1 A
Cos phi:	0,90
Capacitor size - run	50 µF/240 V
Enclosure class (IEC 34-5):	X4D
Insulation class (IEC 85):	F
Motor protection:	CONTACT
Thermal protec:	internal
<b>Controls:</b>	
Relay	with relay
Pos term box:	1.30H
<b>Others:</b>	
Net weight:	44.5 lb
Gross weight:	52.5 lb
Shipping volume:	2.12 ft³
Sales region:	Namreg





96633591 UP 53-46 F 60 Hz



Note! All units are in [mm] unless others are stated.  
 Disclaimer: This simplified dimensional drawing does not show all details.