



GRUNDFOS®
ALPHA 15-55 F



Watt
GPM

AUTO
ADAPT



Powered by the Impossible

– The next generation of circulators

The Grundfos ALPHA will change the way you view circulators. With its permanent magnet motor design, this energy efficient circulator reduces power consumption by 50% or more. The unique patented AUTOADAPT™ feature controls pump performance automatically within defined performance range, ensuring lowest possible energy consumption without sacrificing comfort.

For installation, you now have the flexibility to use either our unique ALPHA Plug with line cord or the new ALPHA with terminal box for conduit connection applications. The choice is yours.



Stainless Steel
ALPHA 15-55F/LC



Cast Iron
ALPHA 15-55F



Cast Iron
ALPHA 15-55F/LC



THE UNIQUE FEATURES OF THE GRUNDFOS ALPHA™



Unique ALPHA Plug with line cord



Terminal box for conduit connection applications



Large display shows current energy consumption in Watts



Large display shows estimated flow in gallons per minute



A one button, easy-to-use interface



Nut capture



Compact design



Stainless steel and cast iron pump housing available



Integrated check-valve (optional)

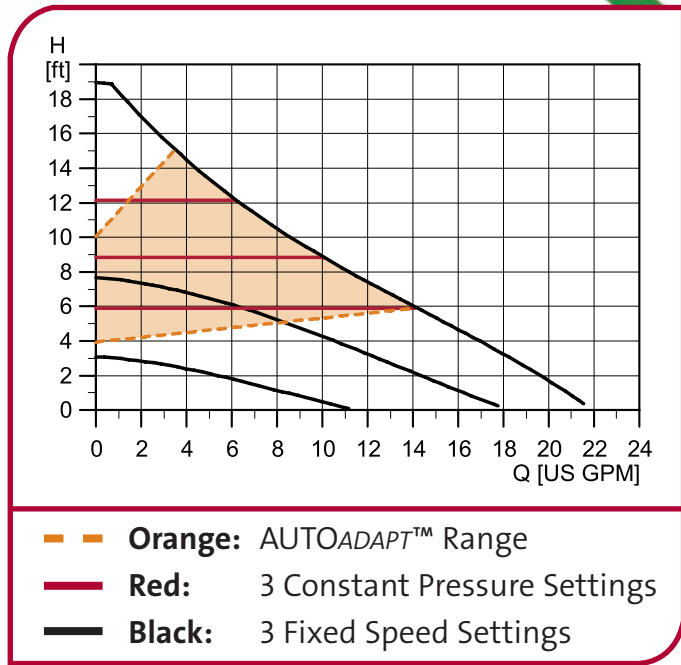


For installation, you now have the flexibility to use either our unique ALPHA Plug with line cord or the new ALPHA with terminal box for conduit connection applications. The choice is yours.

Technical Data:

Flow Range:	0 to 21 GPM
Head Range:	0 to 19 Feet
Motor:	1X115V
Min. Fluid Temperature:	36°F (2°C)
Max. Fluid Temperature:	230°F (110°C)
Max. Working Pressure:	150 PSI
Watts:	5-45W
Amps:	0.65A

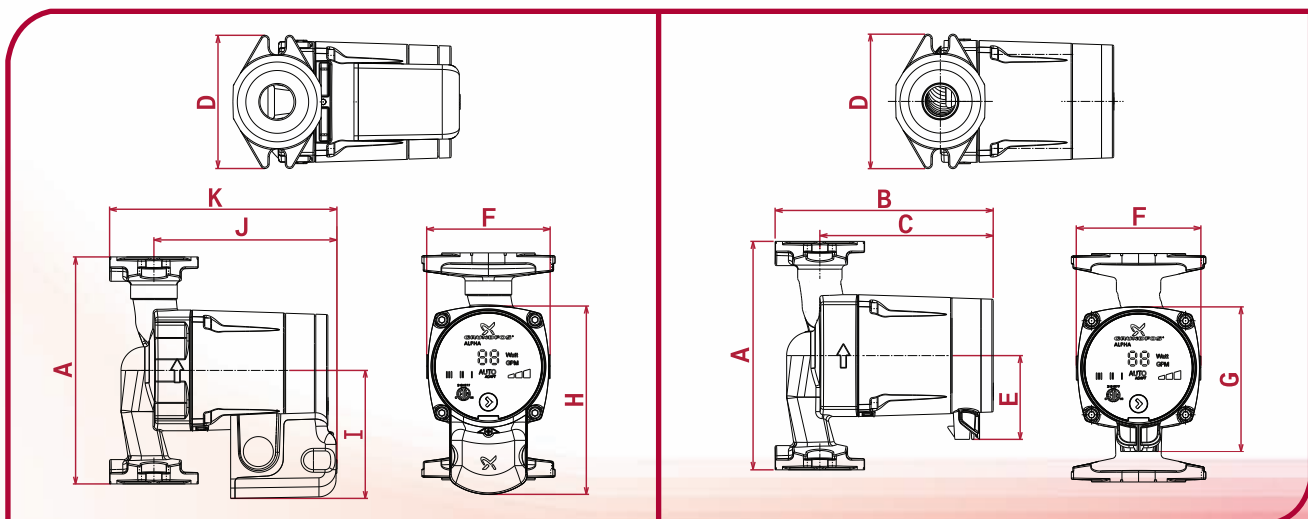
Performance Curve:



Product Offering:

Model	Description	Part Number
ALPHA 15-55F	Cast iron flange with terminal box	59896877
ALPHA 15-55FR	Cast iron rotated flange with terminal box	59896878
ALPHA 15-55SF	Stainless flange with terminal box	59896879
ALPHA 15-55F/LC	Cast iron flange with line cord	59896832
ALPHA 15-55FR/LC	Cast iron rotated flange with line cord	59896833
ALPHA 15-55SF/LC	Stainless flange with line cord	59896834
	Service Kit - Line cord	91130247
	Service Kit - Terminal box	91130312

Dimensional Drawing:



A	B	C	D	E	F	G	H	I	J	K
6-1/2	6-3/16	4-15/16	3-13/16	2-3/8	3-7/16	4-1/8	5-3/8	6-11/16	5-1/4	6-1/2

BE > THINK > INNOVATE >

Being responsible is our foundation
Thinking ahead makes it possible
Innovation is the essence



GRUNDFOS HELPS YOU KEEP IN TOUCH WITH THE FUTURE

At **poweredby.grundfos.com** you'll find all the information, downloads, marketing materials and tips you need.



Order a **FREE** copy of the Grundfos Handbook

USA: Visit www.grundfos.us/handbook Promo Code: 18120

CANADA: Visit www.grundfos.ca/handbook Promo Code: 48120

L-AL-SL-001 4/10 (US)

U.S.A.
GRUNDFOS Pumps Corporation
17100 West 118th Terrace
Olathe, Kansas 66061
Phone: (913) 227-3400
Telefax: (913) 227-3500

Canada
GRUNDFOS Canada Inc.
2941 Brighton Road
Oakville, Ontario
L6H 6C9
Phone: (905) 829-9533
Telefax: (905) 829-9512

www.grundfos.us

www.grundfos.ca



Mixed Sources
Product group from well-managed forests, controlled sources and recycled wood or fibre
www.fsc.org Cert no. SGS-COC-003624
© 1996 Forest Stewardship Council



GRUNDFOS