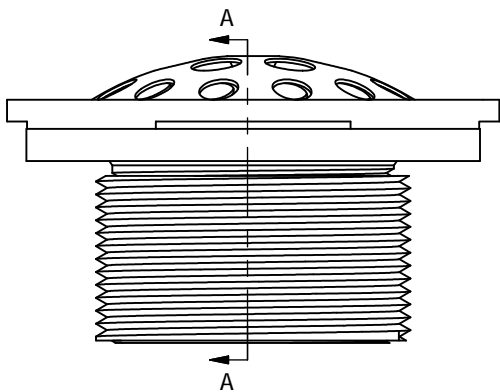
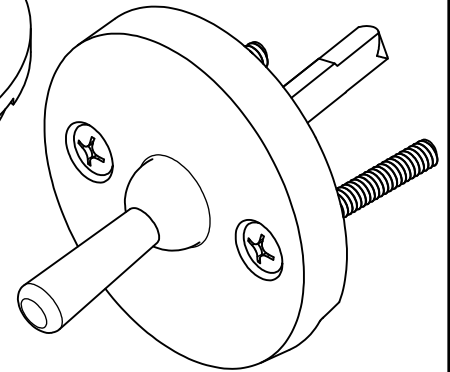
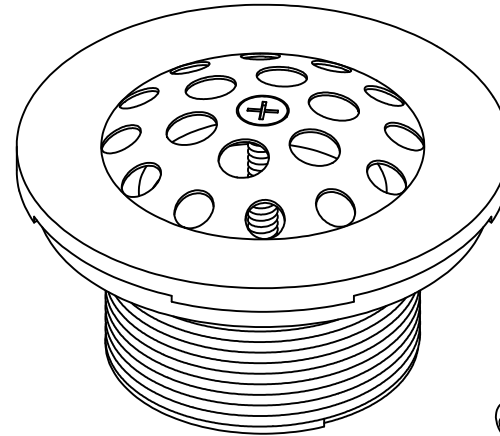
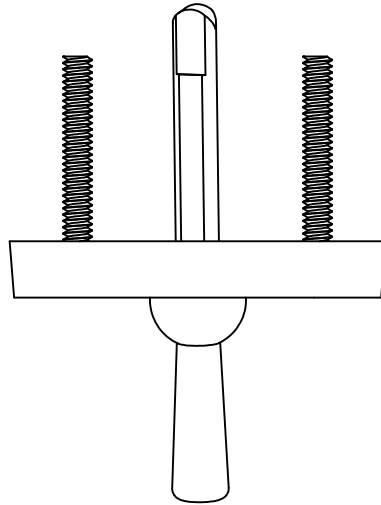
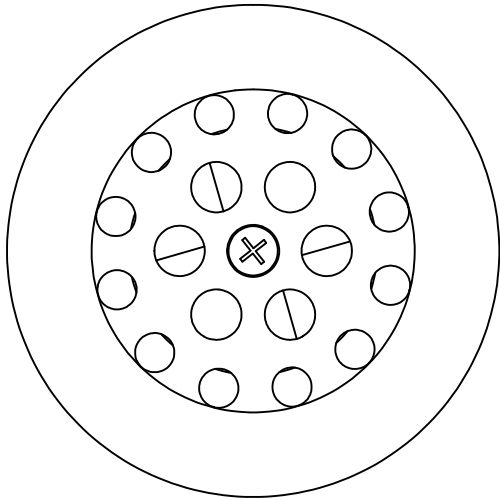
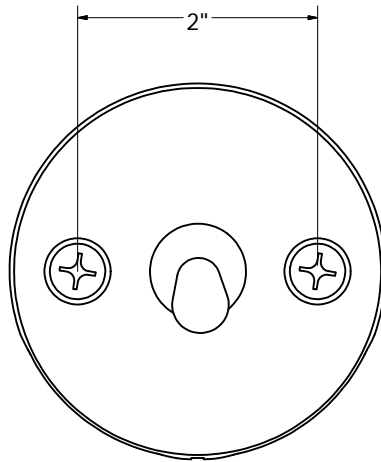


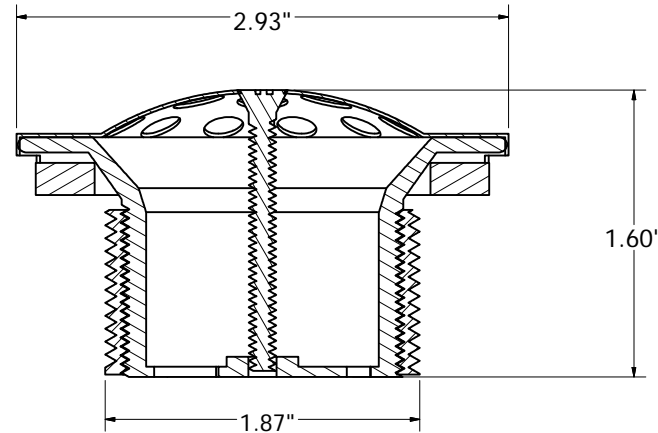
# TRIP LEVER CONVERSION KITS



SCALE - 1.75 : 1



SCALE 1.25 : 1



SECTION A-A  
SCALE 1.75



PHONE NUMBER  
**1-800-355-6637**  
FAX NUMBER  
**1-800-462-6991**  
SCALE \_\_\_\_\_ DATE 8-19-11  
SHEET  
**1 OF 1**  
DRAWN BY  
ASHLEY KRALOVEC

PART NO.	B5112BS	B5112NP	B5112PW	B5112RB	B5112WB
#HOLES	2	2	2	2	2
FINISH	BRUSHED STAINLESS	PEARL NICKEL	POLAR WHITE	OIL RUBBED BRONZE	OLD WORLD BRONZE