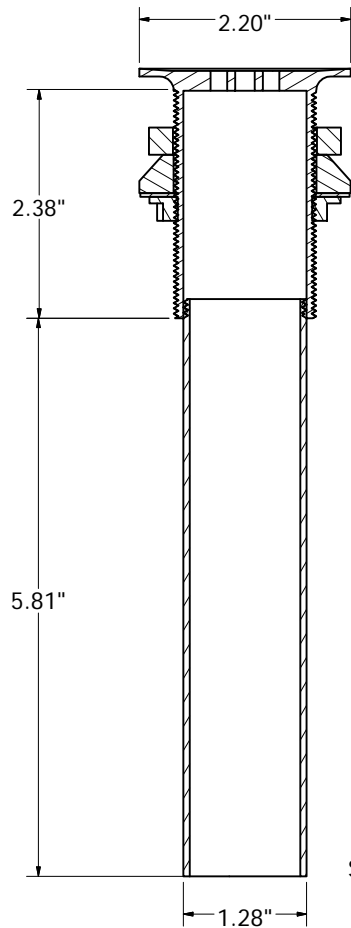
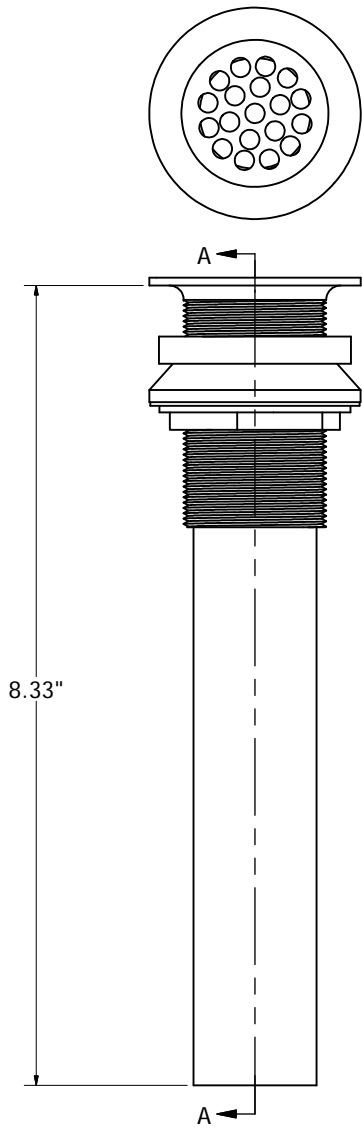
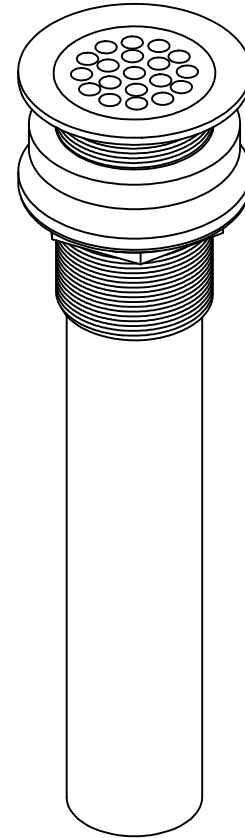


# LAV DRAIN WITHOUT OVERFLOW



SECTION A-A  
SCALE 1 : 1



- FOR VESSEL SINKS
- BLISTER CARD PACKING



PHONE NUMBER  
**1-800-355-6637**  
FAX NUMBER  
**1-800-462-6991**  
SCALE 1 : 1      DATE 8-19-11  
SHEET  
**1 OF 1**  
DRAWN BY  
**ASHLEY KRALOVEC**

PART NO.	D70105	D7010BN	D7010NP	D7010PB	D7010RB	D7010WB
FINISH	CHROME PLATED	BRUSHED NICKEL	PEARL NICKEL	POLISHED BRASS	OIL RUBBED BRONZE	OLD WORLD BRONZE