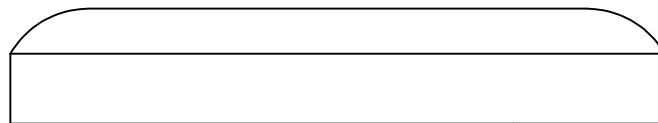
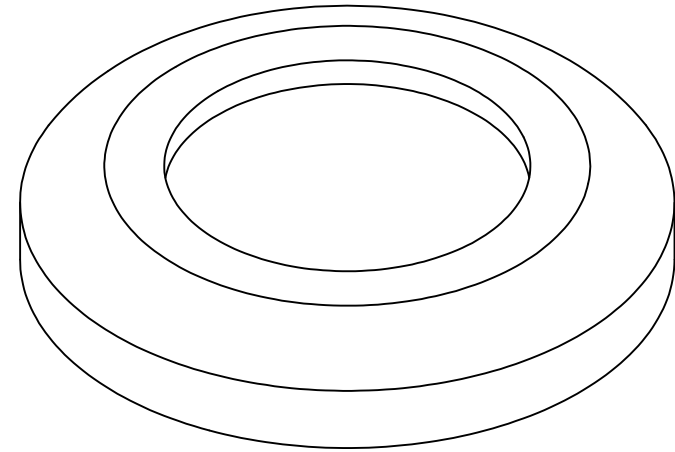
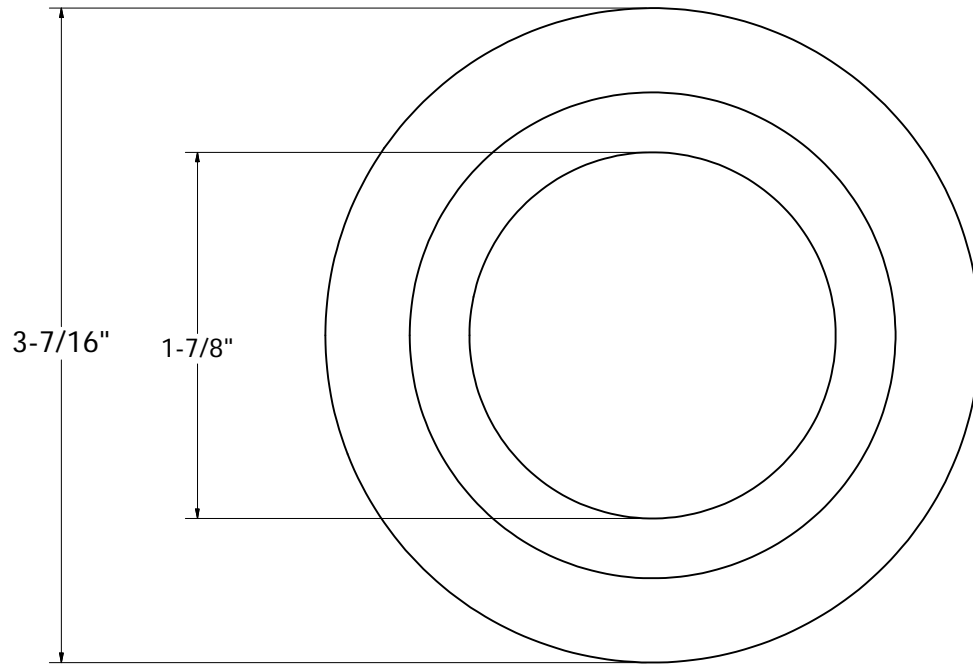


PLASTIC SHALLOW FLANGE ESCUTCHEONS IRON PIPE SIZE



PHONE NUMBER
1-800-355-6637
FAX NUMBER
1-800-462-6991
SCALE
2 : 1
DATE
5-16-2013
SHEET
1 OF 1
DRAWN BY
ASHLEY KRALOVEC

PART NO.

E16150

SIZE

1-1/2" IPS

COLOR

WHITE