

Built For Comfort

The Big John Toilet Seat ushers in a new era of stability, comfort and safety.

19" wide from Side to Side



Distributed by

Comfort™ Seats by Jones Stephens Corp.
3249 Moody Parkway • Moody, AL 35004
Phone: 877-456-SEAT(7328) • Fax: 800-462-6991
www.comforttoiletseats.com
www.bigjohn toiletseat.com

 MADE IN THE U.S.A.

00247-01

Standard seats are too small and too flimsy.

The Big John Toilet Seat is great for everyone. It is ideal for people who are larger framed and the Big and Tall / Plus Size consumer. It is perfect for senior citizens and the physically impaired as well as anyone who just wants a more comfortable toilet seat.

Stylish, ergonomic design has a more comfortable opening and a luxuriously contoured sitting surface that is roomier than any other toilet seat on the market.

Engineered tough for long lasting durability and made from the highest-grade plastic that is both stain and chemical resistant.

- **ADA Compliant**
- **2" Higher than Standard Toilet Seats**
- Perfect for Hospitals, Health Care Facilities and Public Restrooms
- Fits on All Standard Toilets, Round or Elongated
- Available in Open and Closed Front, White and Biscuit

Open Front



Rated over 1200 lbs.

Stabilizing "Synthetic Rubber Bumpers" that grip the porcelain, keeping the seat from shifting while providing excellent transfer assistance.

Durable Stainless Steel Hinges that provide unbreakable strength where others fail.



comfort™ seats
a Jones Stephens Brand

Genuine Big John

OVERSIZED TOILET SEATS & TOILET SUPPORT

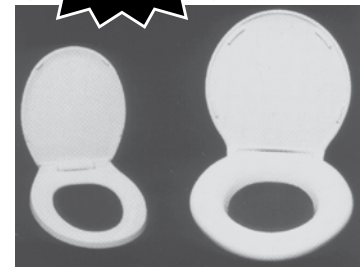
comfort™ seats

a Jones Stephens Brand

Big John Toilet Seat™

The Big John Toilet Seat™ has a larger, more comfortable opening and a luxuriously contoured sitting surface that is roomier than any other toilet seat on the market. The seat is made from the highest grade of ABS plastic which is both stain and chemical resistant. Stainless steel hinges provide unbreakable strength. The Big John Toilet Seat™ has been uniquely engineered to fit either a round or elongated toilet bowl. This seat has large stabilizing rubber bumpers that literally grip the porcelain bowl and keep the seat from any unwanted shifting. This exceptional seat is rated at over 1,200 pounds and meets ADA compliant regulation #4.23 ADAAG.

Part No.	Color	Description	Per Case
2445646-1W	White	Closed front toilet seat with cover	5
2445646-2CR	Cream	Closed front toilet seat with cover	5
2445263-3W	White	Open front toilet seat with cover	5
2445263-4W	White	Open front toilet seat less cover	5



Standard Toilet Seat

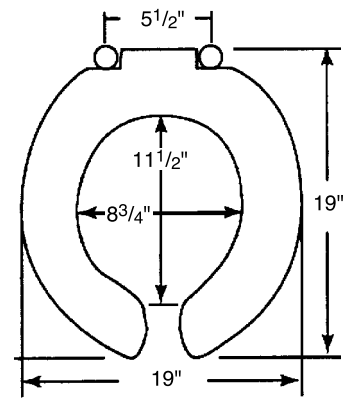
Big John Toilet Seat™



Stainless Steel Hinges



Rubber Bumpers



Big John Toilet Support™

Wall-hung china toilet bowls are only rated to support up to 300 lbs. With a Big John Toilet Support™, you can now increase the weight capacity of a wall-mounted toilet to 1,000 lbs., and avoid lawsuits. The Big John Toilet Support™ installs in minutes under most manufacturer's wall-mounted toilets, providing additional vertical support. The Big John Toilet Support™ helps maintain the ability to clean the floor under wall-mounted fixtures with a specially engineered, extra-wide leg base which can be raised up to 4" off the floor for cleaning access. The Big John Toilet Support™ is made of high impact ABS with the carriage and foot made of a chemical and stain resistant flexible PVC that forms to the contour of the toilet. The adjustment threaded rod is made of plated steel. Shown with the Big John Toilet Seat™ installed on the fixture.



Part No.	Description	Height Adjustment
612011919	Big John Toilet Support	7.5" to 14"



Distributed by

Comfort™ Seats by Jones Stephens Corp.

3249 Moody Parkway • Moody, AL 35004

Phone: 877-456-SEAT(7328) • Fax: 800-462-6991

www.comforttoiletseats.com and www.bigjohnstooltseat.com