

UTILITY GRADE - Light Duty Plastic Toilet Seats

Model No. U1005-00

Utility Grade - Light Duty Plastic, Round
Closed Front with Cover and Check Hinge
(White)



Model No. U1006-00

Utility Grade - Light Duty Plastic, Elongated
Closed Front with Cover and Check Hinge
(White)



Seat shall be

Model Number U1005-00

Utility Grade - Light Duty Plastic Seat
Round Closed Front with Cover

Model Number U1006-00

Utility Grade - Light Duty Plastic Seat
Elongated Closed Front with Cover

Category

RESIDENTIAL

Features

- Injection molded durable polypropylene plastic with UV protection
- Molded in bumpers
- Corrosion proof nuts, bolts and washers
- Top mount design

Seat Color/Finish

Specify white

Hinge Color/Finish

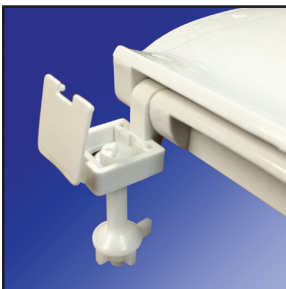
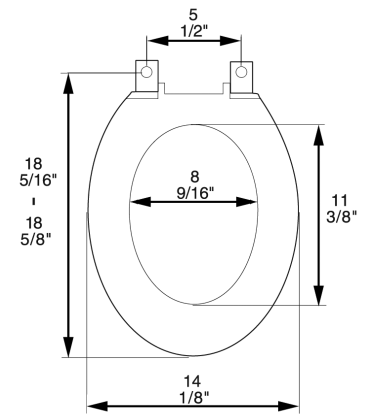
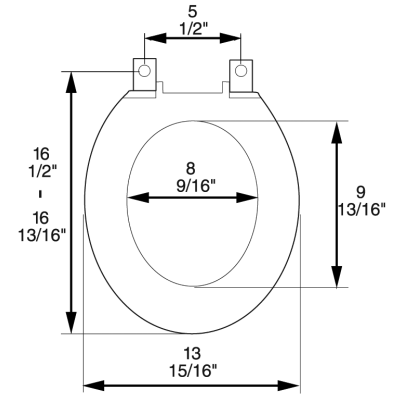
Specify white

Product Specifications

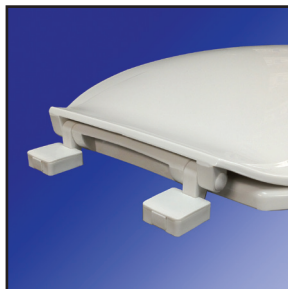
Hinge Design: Check hinge
Ring Height: 1/2"
Ring Height with Bumper: 5/8"
Height of Seat with Cover: 1 1/2"
Size: ANSI Standard Toilet

Additional Information

All seats feature UV protection.



Corrosion proof, self-aligning hardware



Check hinge design