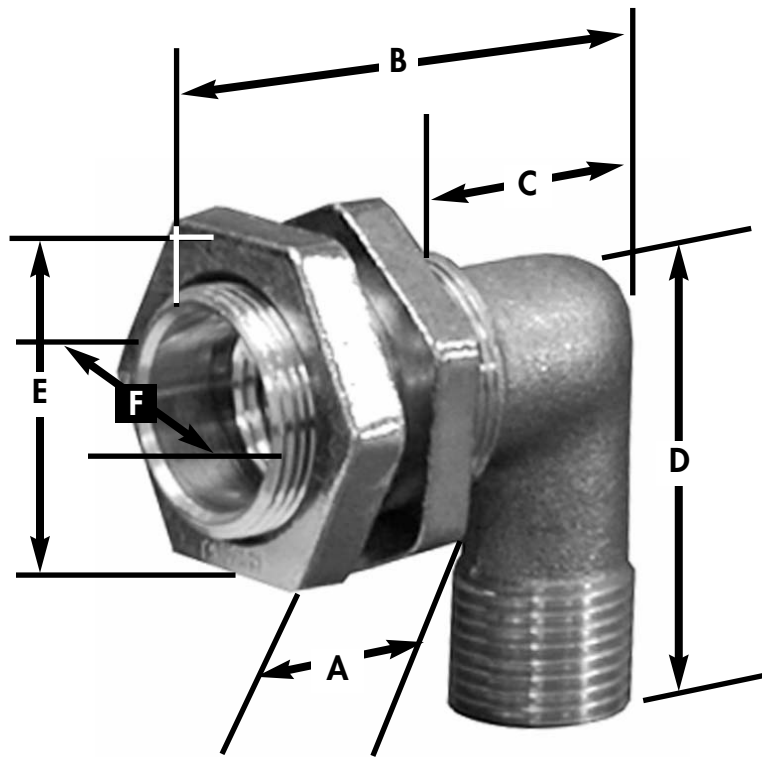


SPECIFICATION SUBMITTAL SHEET

jones stephens corporation

BRASS SHOWER ELBOW

FOR FIBERGLASS SHOWER STALL



PART NO. S01-050

features and benefits:

- Secures shower arm to stall
- Secures tub spout nipple
- Combination inlet 1/2" female sweat 1/2" threaded
- Outlet 1/2" FIP
- Requires 1 - 1/8" hole through fiberglass wall
- Lock nuts secure ell to fiberglass wall

This product and others like it can be found in the Jones Stephens catalog. Call today to order your catalog or download it from our website: www.plumbest.com

PART NO.	DESCRIPTION	OUTLET	INLET	A	B	C	D	E	F
□ S01-050	Brass shower elbow	1/2" FIP	1/2" FSWT or 1/2" Threaded	9/16"	2 1/4"	1 1/4"	2 1/16"	1 1/2" OD	1 1/8" OD

jones stephens corporation
 3249 moody parkway • moody, alabama 35004
 toll free phone: 1-800-355-6637 • toll free fax: 1-800-462-6991
www.plumbest.com