

MODELS

7001	1" Female Thread or 1-1/4" Slip
7001-SL	1" Female Slip or 1-1/4" Slip
7001-BSP	1" Female BSP Thread or 1-1/4" Slip
7001-NFC	1" Female Thread or 1-1/4" Slip Without Flow Control
7001-SL-NFC	1" Female Slip or 1 1/4" Slip Without Flow Control
7001-BSP-NFC	1" Female BSP Thread or 1 1/4" Slip Without Flow Control
7001-MXB	1" Male X Barb

PRO SERIES 100 VALVE

A contemporary tilt diaphragm design makes the PROSERIES 100 Valve the perfect choice for residential and commercial applications. This reliable valve offers a straight through flow pattern that dramatically reduces pressure loss and reduces the risk of trapped debris that causes other brands to fail. It has both an internal bleed and external bleed in addition to optional flow control. The inside diameter (ID) is 1 inch slip and glue or NPT/BSP. The outside diameter (OD) is 1 1/4 inch slip for added installation flexibility

SPECIFICATIONS

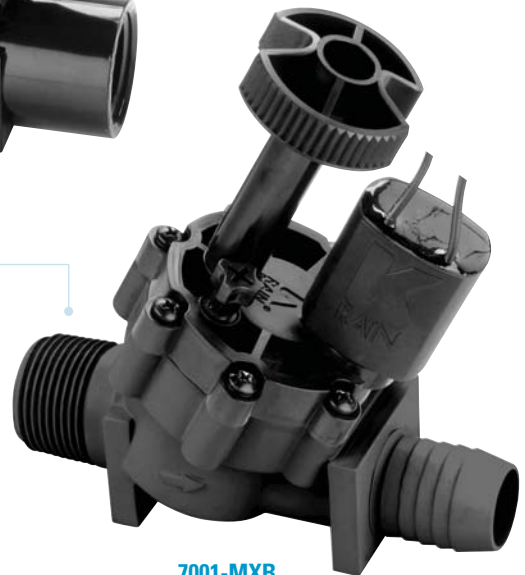
- Dimensions: HEIGHT: 4"
WIDTH: 3"
LENGTH: 5-1/4"
- Flow Range: .75 - 35 GPM
- Pressure Rating: 20 - 150 PSI
- Pressure Loss @ 30 GPM - 5 PSI
- Solenoid: 24 VAC 60 Cycle
- Inrush Current: .43 Amps
- Holding Current: .25 Amps



7001



7001-NFC



7001-MXB

PRO SERIES 100 VALVE MALE THREAD X BARB

K-Rain expands the popular ProSeries 100 Valve line with the Male X Barb 1" Valve.

The Male X Barb Valve is designed for polyethylene piping systems, requires fewer fittings and can be installed quickly.

FLOW THROUGH

The unique tilted diaphragm creates a better flow path than traditional globe style electric valves by decreasing friction loss and increasing flow rate.



SELF-CLEANING SCREEN

The straight flow path allows debris to move through and the turbulent water flow cleans the diaphragm filter screen. This provides long life in applications using well or lake water.





MANUAL FLOW CONTROL

Precisely adjust flow and shut off manually. Removable handle prevents tampering.

CAPTURED PLUNGER SOLENOID

K-Rain's solenoid with captured plunger allows for easy removal when servicing without losing internal parts. Epoxy encapsulated solenoid design ensures longevity unlike the competition's overmolded solenoid.

FEATURES/BENEFITS

- Heavy Duty, Corrosion and UV Resistant PVC Construction—Increases the life of the valve.
- Combination 1" and 1 1/4"—Provides the option to increase the pipe size to the valve increasing the flow rate.
- Tilt Diaphragm/Piston Assembly—Allows for a straight flow path of the water increasing the flow rate while reducing the friction loss.
- Debris Tolerant Design—Provides flexibility for use in potable or dirty water applications.
- Manual External Bleed Screw—Provides for manual operation in system start up.
- Manual Internal Bleed Through Solenoid—Provides for manual operation without discharging water outside the valve.
- Flow Control with Removable Handle—Allows for precise flow adjustment and manual shut off and allows you to remove the handle to prevent tampering (Except 7001-NFC).
- Captured Plunger Solenoid—Allows for the solenoid to be removed without losing the internal plunger.
- Self Cleaning Metering Screen—Screen is in the turbulent flow of the water allowing self cleaning action during operation.
- Two Year Limited Warranty.

K-RAIN PROSERIES 100 MODEL 7001: ELECTRIC VALVE

Construction:

The valve body is constructed of corrosion and UV resistant PVC material. Valve is available in NPT, welded slip and BSP configurations. The valve is manufactured for 3 different applications:

1. to accept 1" female slip or 1 1/4" slip installation within the same unit.
2. to accept 1" female thread or 1 1/4" slip installation within the same unit.
3. to accept 1" female BSP thread or 1 1/4" slip installation within the same unit.

Design of valve is high flow, low friction loss and includes optional flow control for precise flow adjustment and manual shut off. Valve has debris tolerant design to accommodate dirty water conditions. Valve has a manual external bleed and removable tamper-resistant flow control handle. Valve has a diaphragm piston assembly with a 50 mesh filter screen in the turbulent flow for self-cleaning purposes. Valve is controlled by a 24 VAC encapsulated solenoid, .43 amp inrush and .25 amp holding.

Operation:

Valve has a working pressure range from 20 PSI (1.38 bars) minimum to 150 PSI (10.34 bars) maximum and a recommended flow range from 5 to 30 GPM (20 to 114 LPM).



HOW TO SPECIFY

