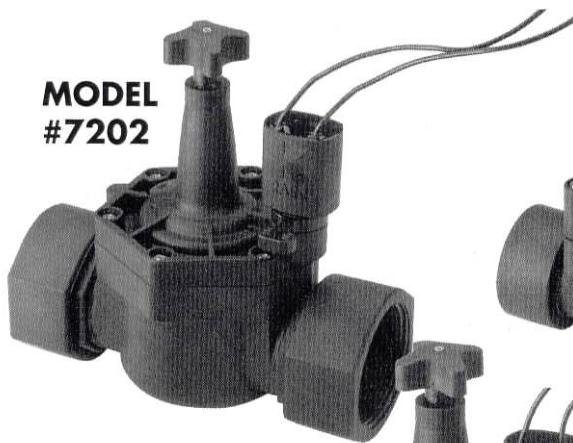
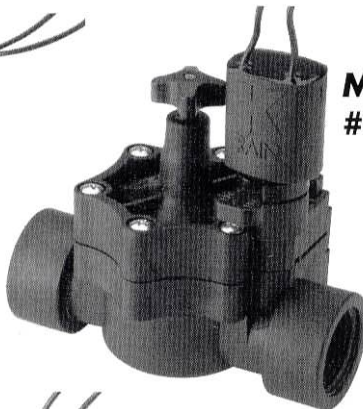


RFS200™ ELECTRIC VALVES

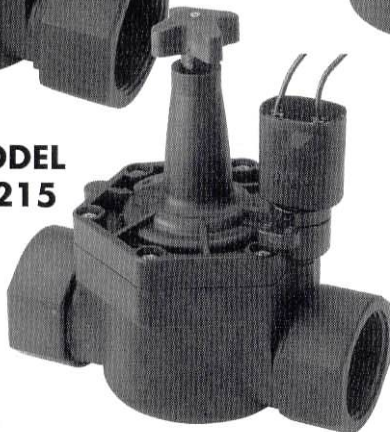
**MODEL
#7202**



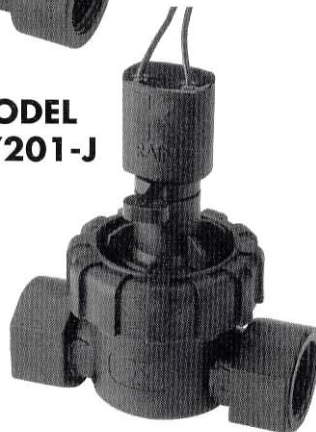
**MODEL
#7201**



**MODEL
#7215**

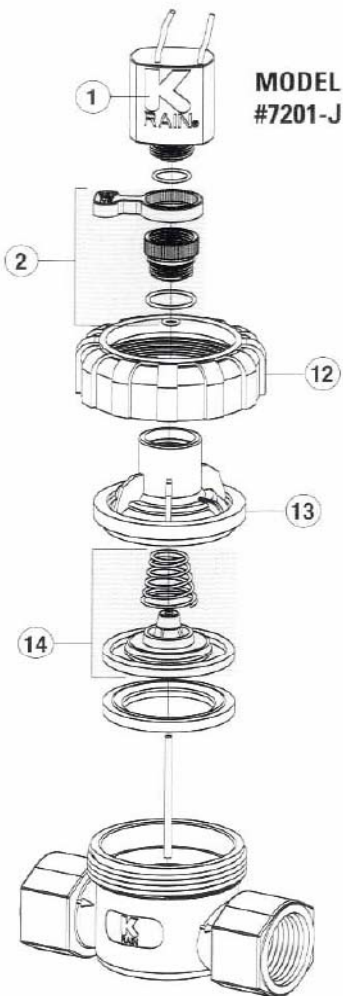


**MODEL
#7201-J**



K
RAIN®

IRRIGATION SOLUTIONS WORLDWIDE™

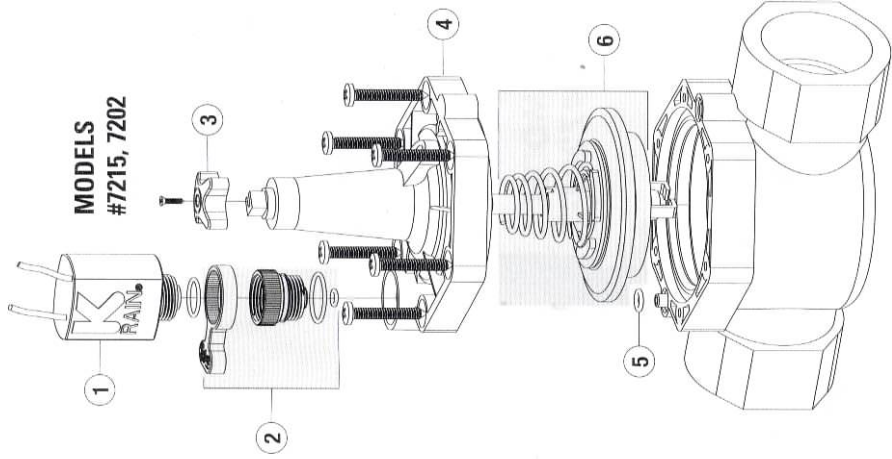
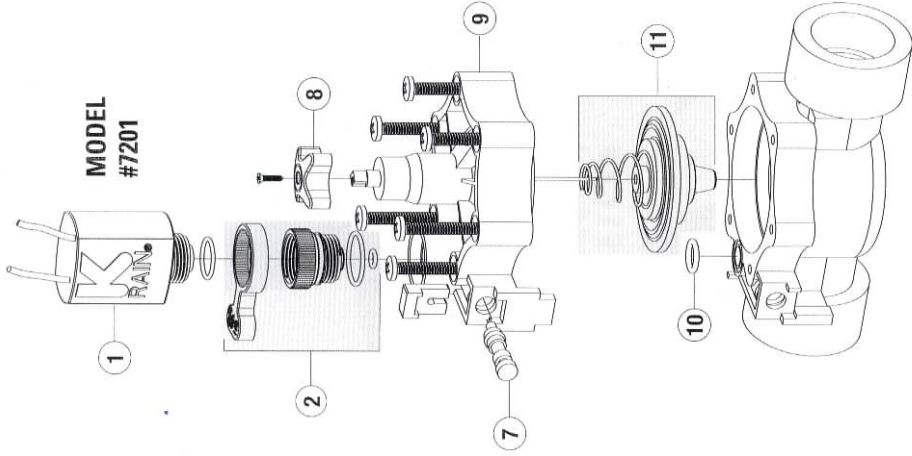


PRODUCT FEATURES:

- Durable glass-filled nylon construction and reinforced rubber diaphragm ensures long life and reliable performance.
- Turn solenoid on/off handle for operation with no power.
- Flow control to adjust water flow as needed (#7201, 7215, 7202).
- Large internal openings and self-cleaning diaphragm during every cycle reduces maintenance time.
- Top flow indicator ensures proper installation every time.
- Electric or Manual operation.

MODEL NO.	DESCRIPTION
1 P3008113-200	Solenoid w/Spring & Plunger
2 7200-ADP	Solenoid Adapter Assembly
3 P0370210	Flow control Handle w/Screws
4 P0370211	Valve Bonnet (top) w/Screws (7215, 7202)
5 P0370212	O-ring (7215, 7202)
6 P0370230	Diaphragm Assembly w/Spring (7215, 7202)
7 P0370140	Internal Bleed Handle
8 P0370110	Flow control Handle w/Screws (7201)
9 P0370111	Valve Bonnet (top) w/Screws (7201)
10 P0370112	O-ring (7201)
11 P0370130	Diaphragm Assembly w/Spring (7201)
12 P0370214	Twist Cap (7201-J)
13 P0370215	Valve Bonnet (top) (7201-J)
14 P0370131	Diaphragm Assembly w/Spring (7201-J)

PROSERIES 200 ELECTRIC VALVE PARTS LIST



INSTALLATION INSTRUCTIONS

SPECIFICATIONS

- Standard solenoid: 24 VAC
- Pressure range: 6-200 psi
- Voltage: 24 VAC, 60 Cycle, .43 Amps Inrush, .25 Amps Holding

BEFORE INSTALLATION

1. Flush system thoroughly before installing valves.
2. Make sure you have sufficient water supply, pressure & flow.

INSTALLING VALVE WITH ADAPTERS

1. Wrap adapters with 2 or 3 complete wraps of Teflon tape around threads.
2. Hand tighten adapters into valve.
3. Carefully tighten the adapters one additional turn past hand tight.
4. Do not use flow control handle as a lever.

CAUTION: DO NOT OVER-TIGHTEN ADAPTERS!

OPERATING VALVE MANUALLY

1. Turn solenoid on/off handle 180 degrees counter-clockwise to open valve.
2. Turn solenoid on/off handle 180 degrees clockwise to close valve.
3. Solenoid on/off handle must be fully closed for proper valve operation.



K-RAIN MANUFACTURING CORP.
1640 Australian Avenue
Riviera Beach, FL 33404 USA
PH: 1-561-844-1002 / 1-800-735-7246
FAX: 1-561-842-9493
WEB: <http://www.krain.com>

© K-RAIN Manufacturing Corp.

Part Number: 30006101

Rev: 11