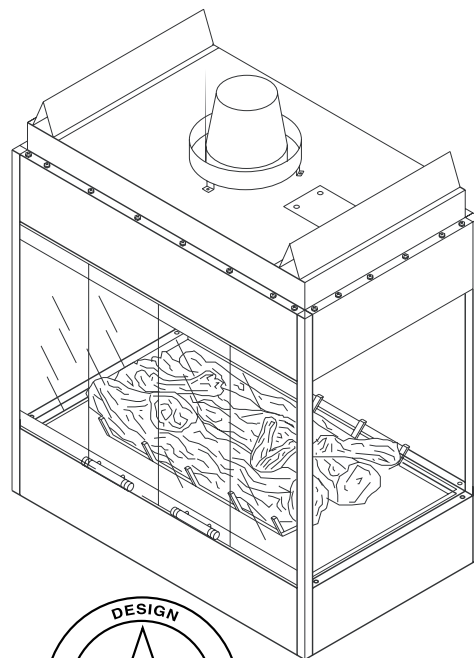




# B-Vent Specialty Series Natural Vent Gas Fireplaces

**Models:  
BVSTNSC, BVPNSC**

## Installation & Operating Instructions



### WARNING

IF THE INFORMATION IN THESE INSTRUCTIONS IS NOT FOLLOWED EXACTLY, A FIRE OR EXPLOSION MAY RESULT CAUSING PROPERTY DAMAGE, PERSONAL INJURY OR LOSS OF LIFE.

— Do not store or use gasoline or other flammable vapors and liquids in the vicinity of this or any other appliance.

— **WHAT TO DO IF YOU SMELL GAS**

- Do not try to light any appliance.
- Do not touch any electrical switch; do not use any phone in your building.
- Immediately call your gas supplier from a neighbor's phone. Follow the gas supplier's instructions.
- If you cannot reach your gas supplier, call the fire department.

— Installation and service must be performed by a qualified installer, service agency or the gas supplier.

**WARNING:** Improper installation, adjustment, alteration, services or maintenance can cause injury or property damage. Refer to this manual. For assistance or additional information consult a qualified installer, service agency or the gas supplier.



**DUE TO HIGH TEMPERATURES, THE APPLIANCE SHOULD BE LOCATED OUT OF TRAFFIC AND AWAY FROM FURNITURE AND DRAPERIES.**

**CHILDREN AND ADULTS SHOULD BE ALERT-ED TO THE HAZARDS OF HIGH SURFACE TEMPERATURE AND SHOULD STAY AWAY TO AVOID BURNS OR CLOTHING IGNITION.**

**YOUNG CHILDREN SHOULD BE SUPERVISED WHEN THEY ARE IN THE SAME ROOM AS THE APPLIANCE.**

**CLOTHING OR OTHER FLAMMABLE MATERIAL SHOULD NOT BE PLACED ON OR NEAR THE APPLIANCE.**

**KEEP THE ROOM AREA CLEAR AND FREE FROM COMBUSTIBLE MATERIALS, GASOLINE AND OTHER FLAMMABLE VAPORS AND LIQUIDS.**

**INSTALLER:** Leave this manual with the appliance.  
**CONSUMER:** Retain this manual for future reference.

**Thank you and congratulations on your purchase of an MHSC Fireplace**

Please read the Installation and Operation Instructions before using the appliance!

**IMPORTANT:** Read all instructions and warnings carefully before starting installation.

Failure to follow these instructions may result in a possible fire hazard and will void the warranty.

<b>Important Safety Information .....</b>	<b>3</b>	<b>Log Installation .....</b>	<b>18</b>
<b>Code Approval .....</b>	<b>4</b>	Ember Material Placement.....	18
<b>Product Features .....</b>	<b>5</b>	Log Placement .....	18
High Elevations .....	5	Lava Rock and Ember Placement .....	18
Gas Pressures .....	5	<b>Operating Instructions .....</b>	<b>19</b>
Gas Specifications & Orifice Size .....	5	What To Do If You Smell Gas.....	19
Before You Start.....	5	Operating Instructions.....	20
Fireplace & Framing Dimensions.....	6	To Turn Off Gas.....	20
Fireplace Framing.....	6	<b>Signature Command System</b>	
<b>Clearances .....</b>	<b>7</b>	Operating Instructions.....	21
<b>Venting Installation.....</b>	<b>8</b>	<b>Adjustment, Cleaning and Maintenance .....</b>	<b>24</b>
Installation Precautions.....	8	Venturi Adjustment .....	24
Installation Planning.....	8	Cleaning and Maintenance .....	24
Firestop Installation.....	8	Safety Checklist .....	25
Vertical Termination.....	9	<b>Troubleshooting .....</b>	<b>26</b>
Outside Combustion Air .....	11	<b>Replacement Parts .....</b>	<b>28</b>
<b>Fireplace Installation.....</b>	<b>12</b>	Firebox & Logs.....	28
Check Gas Type.....	12	Signature Command System .....	29
Gas Line Installation .....	13	<b>Accessories .....</b>	<b>30</b>
Electrical Wiring .....	14	<b>Warranty .....</b>	<b>31</b>
<b>Signature Command System.....</b>	<b>15</b>		
Check Gas Type.....	15		
Electrical Wiring .....	15		
Junction Box Wiring .....	16		
Command Center Wall Installation.....	16		
Wall Switch Installation .....	16		
SCS Wiring Diagram.....	17		

**INSTALLER**

Please leave these instructions with the appliance.

**OWNER**

Please retain these instructions for future reference.

<b>WARNING</b>	<ul style="list-style-type: none"> <li>• <b>Read this owner’s manual carefully and completely before trying to assemble, operate, or service this fireplace.</b></li> <li>• <b>Any change to this fireplace or its controls can be dangerous.</b></li> <li>• <b>Improper installation or use of this fireplace can cause serious injury or death from fire, burns, explosions, electrical shock and carbon monoxide poisoning.</b></li> </ul>
----------------	---

This fireplace is a decorative gas appliance. This fireplace must be properly installed by a qualified service person.

**CARBON MONOXIDE POISONING:** Early signs of carbon monoxide poisoning are similar to the flu with headaches, dizziness and/or nausea. If you have these signs, the fireplace may not have been installed properly. Get fresh air at once! Have the fireplace inspected and serviced by a qualified service person. Some people are more affected by carbon monoxide than others. These include pregnant women, people with heart or lung disease or anemia, those under the influence of alcohol, and those at high altitudes.

Propane/LP gas and natural gas are both odorless. An odor-making agent is added to each of these gases. The odor helps you detect a gas leak. However, the odor added to these gases can fade. Gas may be present even though no odor exists.

Make certain you read and understand all warnings. Keep this manual for reference. It is your guide to safe and proper operation of this fireplace.

1. This appliance is only for use with the type of gas indicated on the rating plate. This appliance is not convertible for use with other gases unless a certified kit is used.
2. For propane/LP fireplace, do not place propane/LP supply tank(s) inside any structure. Locate propane/LP supply tank(s) outdoors. To prevent performance problems, do not use propane/LP fuel tank of less than 100 lbs. capacity.
3. If you smell gas:
  - shut off gas supply
  - do not try to light any appliance
  - do not touch any electrical switch; do not use any phone in your building
  - immediately call your gas supplier from a neighbor’s phone. Follow the gas supplier’s instructions.
4. Never install the fireplace:
  - in a recreational vehicle
  - where curtains, furniture, clothing, or other flammable objects are less than 42” from the front, top or sides of the fireplace

- in high traffic areas
  - in windy or drafty areas
5. This fireplace reaches high temperatures. Keep children and adults away from hot surfaces to avoid burns or clothing ignition. Fireplace will remain hot for a time after shutdown. Allow surfaces to cool before touching.
  6. Young children should be carefully supervised when they are in the same room as the appliance. Toddlers, young children and others may be susceptible to accidental contact burns. A physical barrier is recommended if there are at risk individuals in the house. To restrict access to a fireplace or stove, install an adjustable safety gate to keep toddlers, young children and other at risk individuals out of the room and away from hot surfaces.
  7. Do not modify fireplace under any circumstances. Any parts removed for servicing must be replaced prior to operating fireplace.
  8. Turn fireplace off and allow to cool before servicing, installing or repairing. Only a qualified service person should install, service or repair the fireplace. Have burner system inspected annually by a qualified service person.
  9. You must keep control compartments, burners and circulating air passages clean. More frequent cleaning may be needed due to excessive lint and dust from carpeting, bedding material, pet hair, etc. turn off the gas valve and pilot light before cleaning fireplace.
  10. Have venting system inspected annually by a qualified service person. If needed, have venting system cleaned or repaired. Refer to *Cleaning and Maintenance*, Page 25.
  11. Keep the area around your fireplace clear of combustible materials, gasoline and other flammable vapor and liquids. Do not run fireplace where these are used or stored. Do not place items such as clothing or decorations on or around fireplace.
  12. Do not use this fireplace to cook food or burn paper or other objects.
  13. Never place anything on top of fireplace.

- 14. Do not use any solid fuels (wood, coal, paper, cardboard, etc.) in this fireplace. Use only the gas type indicated on rating plate.
- 15. This appliance, when installed, must be electrically grounded in accordance with local codes or in the absence of local codes, with the *National Electrical Code, ANSI/NFPA 70* or the *Canadian Electrical Code, CSA C22.1*.
- 16. Do not obstruct the flow of combustion and ventilation air in any way. Provide adequate clearances around air openings into the combustion chamber along with adequate accessibility clearance for servicing and proper operation.
- 17. When the appliance is installed directly on carpeting, tile or other combustible material other than wood flooring, you must set appliance on a metal or wood panel or hearth pad extending the full width and depth of the appliance.
- 18. Do not use fireplace if any part has been exposed to or has been under water. Immediately call a qualified service person to arrange for replacement of the unit.
- 19. Do not operate fireplace if any log is broken.
- 20. Do not use a blower fireplace, heat exchanger fireplace or any other accessory not approved for use with this fireplace.
- 21. The fireplace is not intended for use with a thermostat.
- 22. This appliance must be installed with draft hood in same atmospheric pressure zone as the combustion air inlet to the appliance.
- 23. **For Massachusetts Residents Only:** This product must be installed by a licensed plumber or gas fitter when installed within the Commonwealth of Massachusetts. Flexline installation must not exceed 36".

**CODE APPROVAL**

These appliances have been tested by CSA and found to comply with the established standards for VENTED GAS FIREPLACES in the US and Canada as follows:

**LISTED VENTED GAS FIREPLACE**  
TESTED TO: ANSI Z21.50b-2009 / CSA2.22b-2009

**IMPORTANT:**  
**PLEASE READ THE FOLLOWING CAREFULLY**  
It is normal for fireplaces fabricated of steel to give off some expansion and/or contraction noises during the start up or cool down cycle. Similar noises are found with your furnace heat exchanger or car engine.

**IMPORTANT:**  
**PLEASE READ THE FOLLOWING CAREFULLY**  
It is not unusual for gas fireplace to give off some odor the first time it is burned. This is due to the manufacturing process.  
**Please ensure that your room is well ventilated during burn off - open all windows.**  
It is recommended that you burn your fireplace for at least en (10) hours the first time you use it.

**WARNING**  
**Never connect unit to private (non-utility) gas wells. This gas is commonly known as wellhead gas.**

**WARNING**  
**Proposition 65 Warning: Fuels listed in gas, wood burning or oil fired appliances, and the products of combustion of such fuels, contain chemicals known to the State of California to cause cancer, birth defects and other reproductive harm.**  
*California Health and Safety Code Sec. 25249.6*

**! WARNING**



HOT GLASS WILL CAUSE BURNS.  
DO NOT TOUCH GLASS UNTIL COOLED.  
NEVER ALLOW CHILDREN TO TOUCH GLASS.



We recommend that our gas hearth products be installed and serviced by professionals who are certified in the U.S. by the National Fireplace Institute® (NFI) as NFI Gas Specialists.  
[www.nficertified.org](http://www.nficertified.org)

**PRODUCT SPECIFICATIONS**

- This appliance has been certified for use with either natural or propane gas. See appropriate data plates.
- This appliance is not for use with solid fuels.
- The appliance must be installed in accordance with local codes if any. If none exist use the current installation code, ANSI Z223.1/NFPA 54 in the US and CSA B149 in Canada.
- The appliance must be properly connected to a venting system.
- The appliance is not approved for closet or recessed installations.

**HIGH ELEVATIONS**

Input ratings are shown in BTU per hour and are certified without deration for elevations up to 4,500 feet (1,370 m) above sea level.

For elevations above 4,500 feet (1,370 m) in USA, installation must be in accordance with the current ANSI Z223.1/NFPA 54 and/or local codes having jurisdiction.

In Canada, please consult provincial and/or local authorities having jurisdiction for installation at elevations above 4,500 feet (1,370 m).

**GAS PRESSURES**

	<b>Natural</b>
Inlet Minimum	4.5" w.c.
Inlet Maximum	7.0" w.c.
Manifold Pressure	3.5" w.c.

**GAS SPECIFICATIONS & ORIFICE SIZE**

<b>Model</b>	<b>Fuel</b>	<b>Min. Input BTU/h</b>	<b>Max. Input BTU/h</b>	<b>Orifice Size</b>
BVSTNSC	Nat.	29,000	42,000	#29 (.136")
BVPNSC	Nat.	29,000	42,000	#29 (.136")

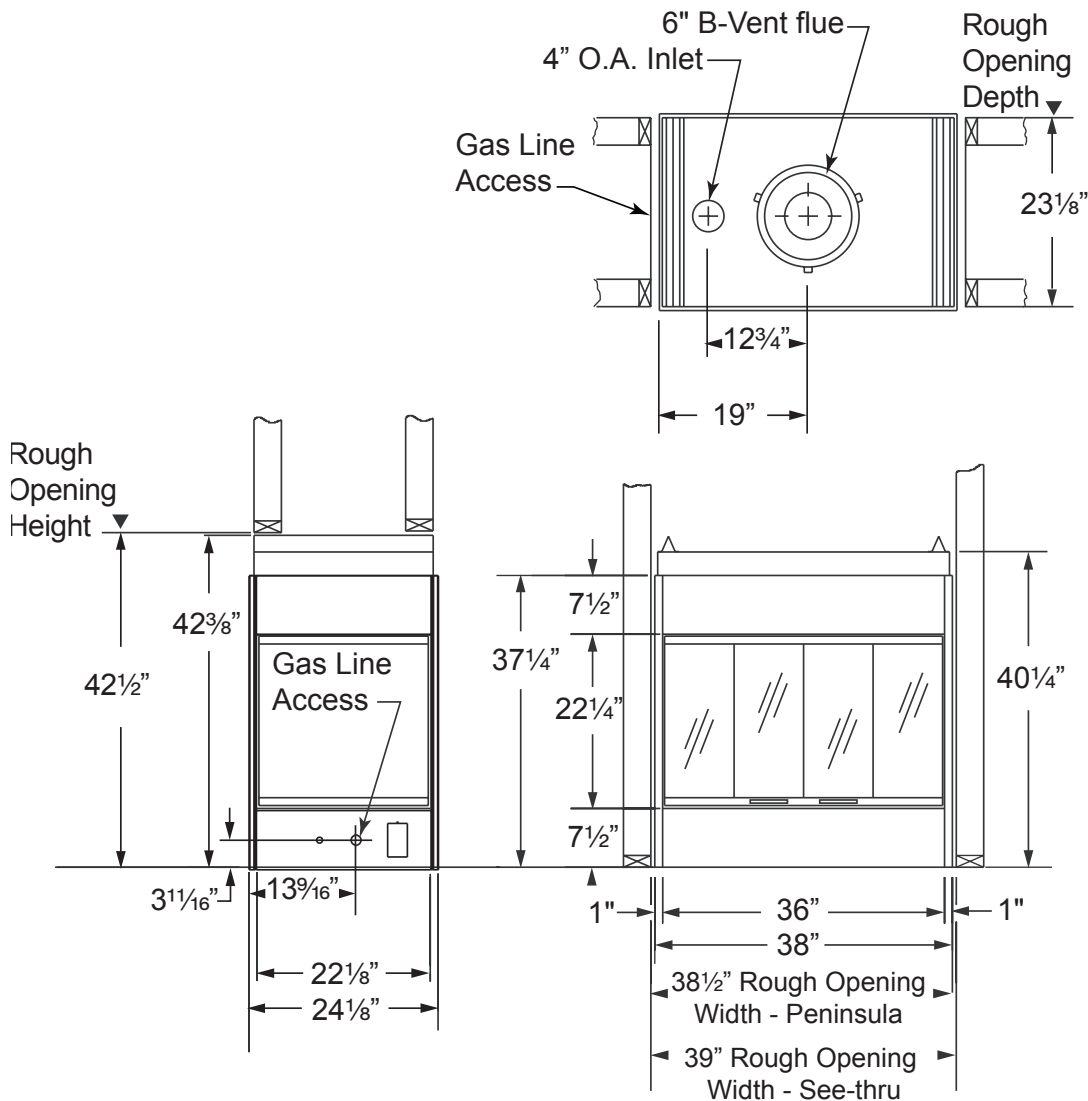
**BEFORE YOU START**

Read this homeowner manual thoroughly and follow all instructions carefully. Inspect all contents for shipping damage and immediately inform your dealer if any damage is found. Do not install any unit with damaged, incomplete, or substitute parts. Check your packing list to verify that all listed parts have been received. You should have the following:

- Fireplace (Firebox and Burner System)
- Log Set
- Rock Wool
- Switch Cover Plate
- Ziplock Bag 2" x 3" x 3"
- Volcanic Rock
- White Toggle Switch
- Plastic Bag (1)

**ITEMS REQUIRED FOR INSTALLATION**

- Phillips Screwdriver
- Hammer
- Saw and/or saber saw
- Electric Drill and Bits
- Pliers
- Square
- Caulking Material (Noncombustible)
- Fireplace Surround Material (Noncombustible)
- Piping Complying with Local Codes
- Pipe Sealant Approved for use with Propane/LPG (Resistant to Sulfur Compounds)
- Framing Materials
- Wall Finishing Materials
- Level
- Tee Joint
- Measuring Tape
- Pipe Wrench



**Figure 1 -  
Fireplace & Framing Dimensions**

**FIREPLACE FRAMING**

It is best to frame your fireplace after it is positioned and the vent system installed. Use 2 x 4's and frame to local building codes.

To install the fireplace facing flush with the finished wall, position the framework to accommodate the thickness of the finished wall.

It is not necessary to install a hearth extension with this fireplace system.

The junction box should be wired to the electrical system at the time of installation of the fireplace. Wiring must be performed by a qualified person in a manner to conform with National Electrical Code ANSI/NFPA 70 and all applicable local codes.

**CAUTION** Always check and make sure power is OFF before attempting to install or service any electrical wiring or components.

**WARNING** Do not fill spaces around firebox with insulation or other materials. This could cause a fire.

**CLEARANCE TO COMBUSTIBLES**

Sides .....	1/2"
Back .....	1/2"
Top .....	0"
Front.....	37"
Bottom.....	0"

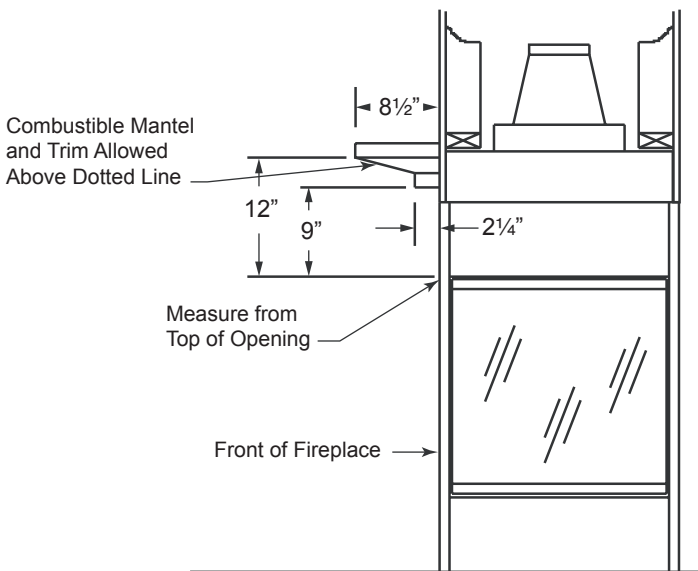
When the fireplace is installed directly on carpeting, vinyl tile or other combustible materials (other than wood flooring), it shall be installed on a metal or wood panel extending the full width and depth of the fireplace.

Provide adequate ventilation air.

Provide adequate accessibility clearance for servicing and operating the fireplace.

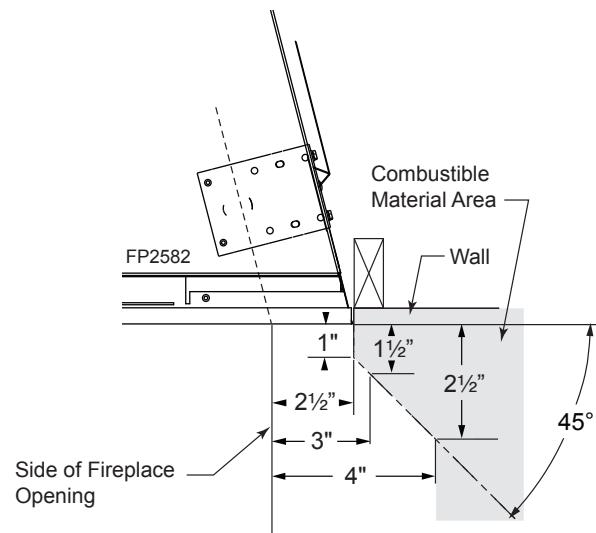
Never obstruct the front opening of the fireplace.

**MANTEL CLEARANCES**



**Figure 2 - Mantel Clearances**

FP2754



**Top View**

**WARNING**

Read all instructions completely and thoroughly before attempting installation. Failure to do so could result in serious injury, property damage or loss of life. Operation of improperly installed and maintained venting system could result in serious injury, property damage or loss of life.

**NOTICE**

Failure to follow these instructions will void the warranty.

**INSTALLATION PRECAUTIONS**

Consult local building codes before beginning the installation. The installer must make sure to select the proper vent system for installation. Before installing vent kit, the installer must read this fireplace manual and vent kit instructions.

Only a qualified installer/service person should install venting system. The installer must follow these safety rules:

- Wear gloves and safety glasses for protection.
- Use extreme caution when using ladders or when on rooftops.
- Be aware of electrical wiring locations in walls and ceilings.

The following actions will void the warranty on your venting system:

- Installation of any damaged venting component.
- Unauthorized modification of the venting system.
- Installation of any component part not manufactured or approved by MHSC.
- Installation other than permitted by these instructions.

**INSTALLATION PLANNING****“B” VENT PIPE**

See venting installation instructions provided by the B-Vent manufacturer.

**NOTE: This APPLIANCE MUST BE INSTALLED using “B” vent type pipe that has been listed by a nationally recognized testing agency.**

Refer to B-Vent Pipe Sizing chart for proper elbow offset runs.

This appliance must be installed using 6” type “B” vent.

Locate chimney center line dimension from a combustible back wall. *Page 6, Figure 1*

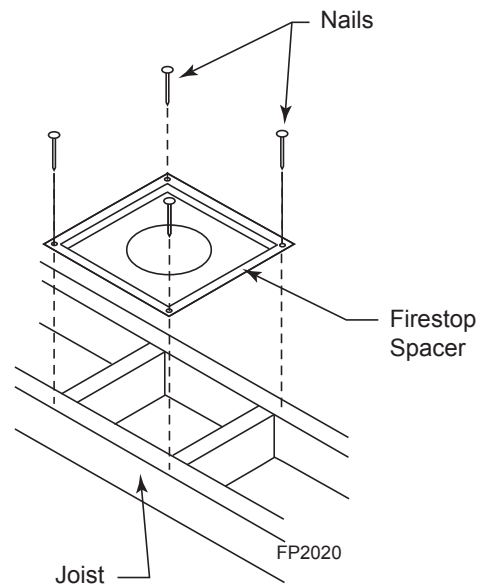
- Minimum vertical chimney height - 7’
- Minimum height with two (2) 90° elbows - 6’

- Elbow requirements allow a maximum of two (2) 90° elbows or four (4) 45° elbows per installation.  
**NOTE: Two (2) 45° elbows = one (1) 90° elbow**
- Horizontal run must never exceed 50% of the height of the vent system.

**FIRESTOP INSTALLATION**

A ceiling firestop must be installed if the vent passes through a ceiling. Refer to the instructions from the pipe manufacturer. To position firestop refer to *Figures 3 and 4*. Only one (1) firestop required per frame.

**NOTE: A firestop is not required at the roof.**

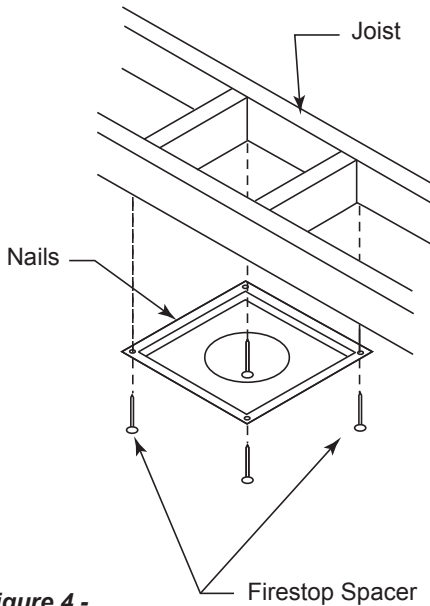


**Figure 3 -  
Install Firestop in Attic**

**LOCATE and INSTALL FIRESTOP**

1. For ceiling firestops, position a plumb bob over the center of the vertical pipe to spot a hole through which the pipe will penetrate.
2. Drill a hole through this center point and check for obstructions (i.e. wiring or plumbing).
3. Reposition the fireplace and vent system, if necessary, to accommodate ceiling joists or obstructions.
4. Cut an 11” x 11” hole through the ceiling, using the center point.





**Figure 4 -  
Install Firestop in Ceiling**

5. Frame the hole with framing lumber the same size as the ceiling joists. Position firestop. If attic is above, mount firestop on top of framing. *Figure 3*. If room is above, mount firestop on the bottom of framing. *Figure 4*. Secure with nails or screws.
6. Run vent through firestop.

**NOTICE** When installing in a chase, you should insulate the chase as you would the outside walls of your home. This is especially important in cold climates. Insulation should be considered a combustible material. Maintain proper clearances to all combustible materials.

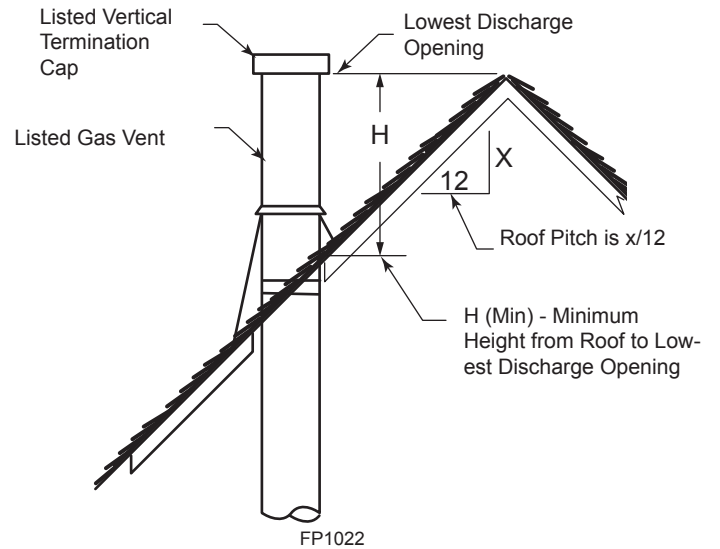
**NOTICE** Treatment of firestops and construction of the chase may vary from building type to building type. These instructions are not substitutes for the requirements of local building codes. You must follow all local building codes.

**VERTICAL TERMINATION**

Major building codes specify a minimum vent height above the rooftop depending on the pitch of the roof. Refer to *Figure 5* for minimum heights, provided the termination cap is at least 8' from a vertical wall and 2' below a horizontal overhang. Trees, buildings, adjoining roof lines and adverse wind conditions may require taller chimneys than what is shown.

**LOCATE AND INSTALL VERTICAL TERMINATION**

**NOTE:** When working on the floor, cover the opening of the installed vent pipe below to prevent debris falling in.



**NOTE:** Vertical termination must be at least 8' from vertical wall.

**Figure 5 -  
Minimum Vent Height for Various Roof Pitches**

Roof Pitch	H Min. (ft)
Flat to 6/12	1'
6/12 to 7/12	1'3"
Over 7/12 to 8/12	1'6"
Over 8/12 to 9/12	2'
Over 9/12 to 10/12	2'6"
Over 10/12 to 11/12	3'3"
Over 11/12 to 12/12	4'
Over 12/12 to 14/12	5'
Over 14/12 to 16/12	6'
Over 16/12 to 18/12	7'
Over 18/12 to 20/12	7'6"
Over 20/12 to 21/12	8'

1. Locate and mark the vent center point on the underside of the roof, and drive a nail through the center joint.
2. The size of the roof hole framing dimensions depends on the pitch of the roof.
3. Cut and frame the roof hole.
4. Continue to install vent sections through the roof hole until reaching the appropriate distance above the roof.
5. Attach a flashing to the roof using nails, and use a non-hardening mastic around the edges of the flashing base when it meets the roof.
6. Attach a storm collar over the flashing joint to form a watertight seal. Place non-hardening mastic around the joint, between the storm collar and the vertical pipe.
7. Attach termination per pipe manufacturer's instructions.

Figure 6

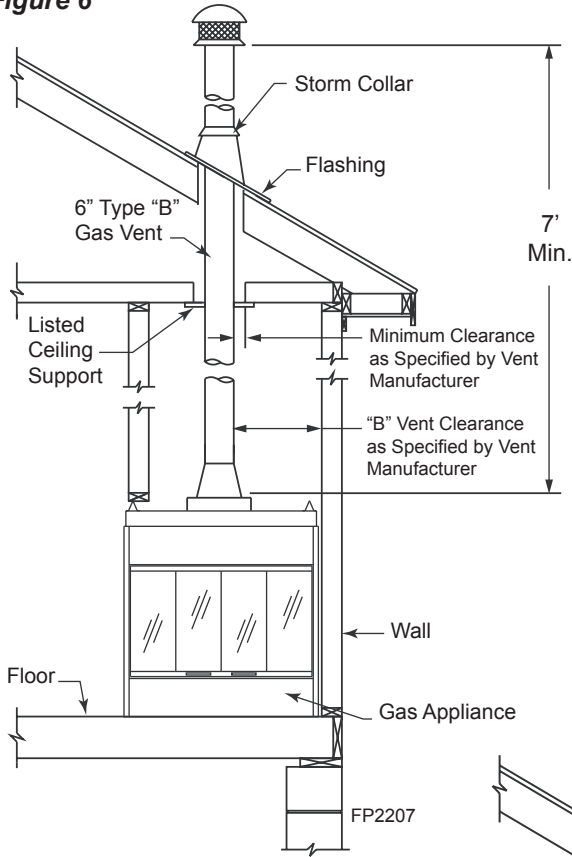


Figure 7

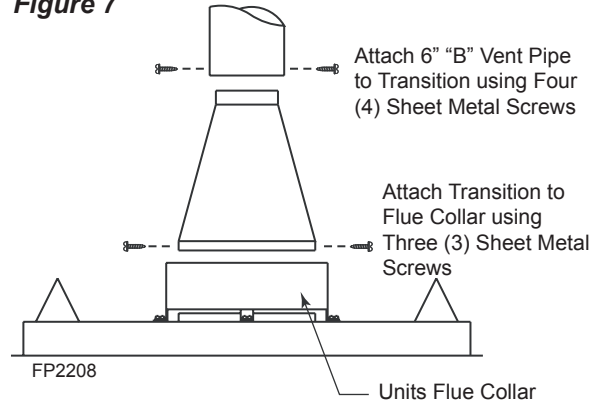
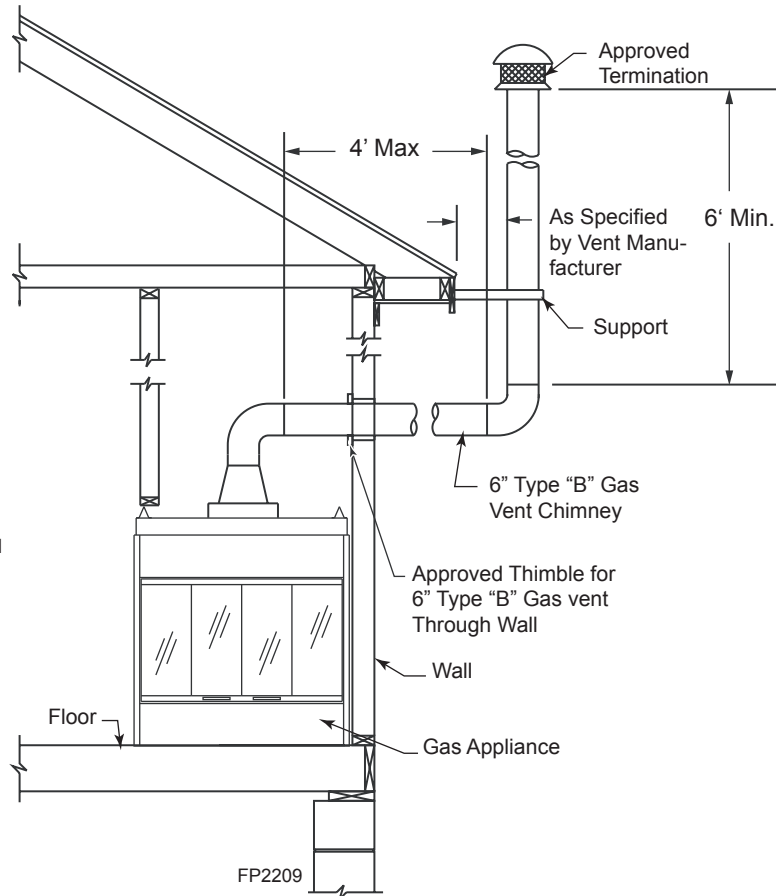


Figure 8

**Peninsula and See-Thru Models Only**

**NOTE:** This installation is **NOT** recommended for colder climates. Check local codes for allowances.



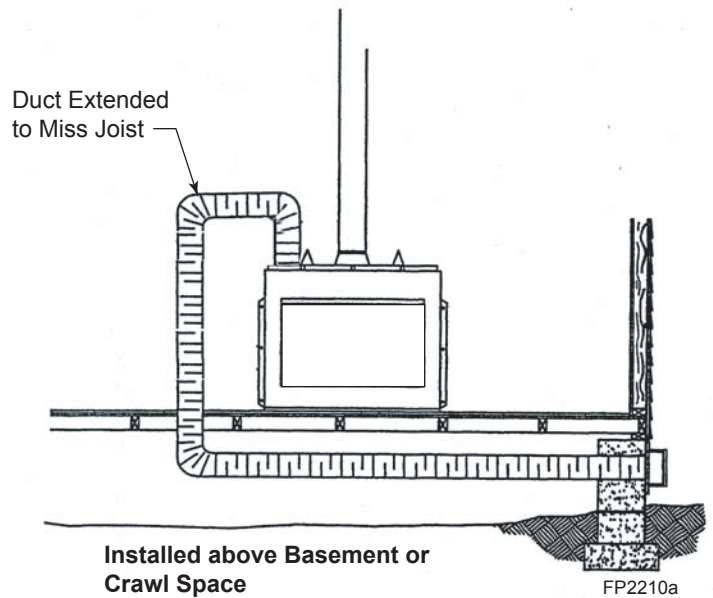
## OUTSIDE COMBUSTION AIR PRECAUTIONS and RECOMMENDATIONS

**NOTE:** The use of outside air for combustion is optional unless required by building codes. It is only necessary to supply outside combustion air to one side of fireplace. Use model 6AK combustion air kit (refer to Page 17).

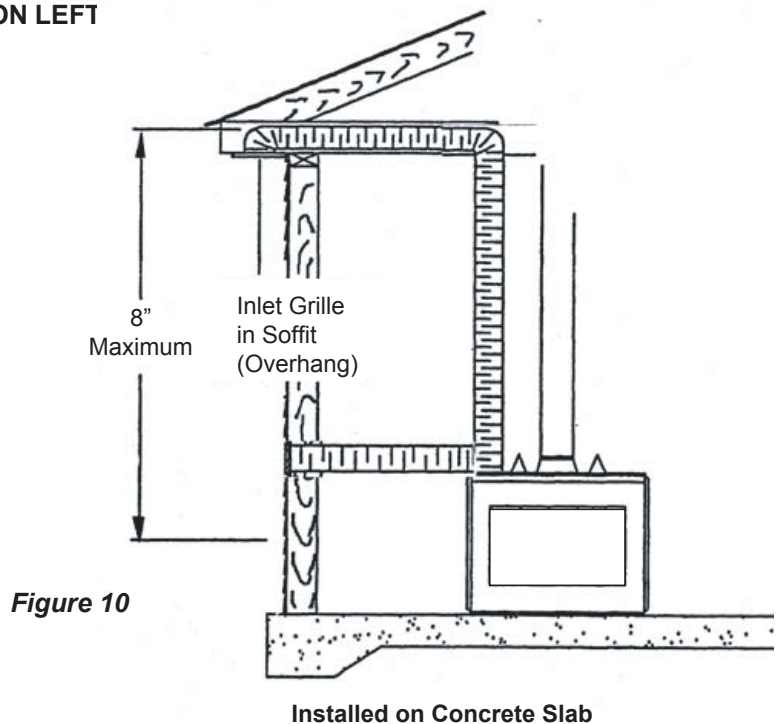
1. Avoid extremely long runs and numerous turns in duct leading from fireplace to combustion air assembly. These conditions increase the resistance to free flow of air through duct. *Figures 9 and 10*
2. Locate combustion air assembly at an exterior location. Make sure the location cannot be accidentally blocked. Locate assembly above snow line to prevent snow from blocking assembly.
3. Never mount combustion air inlet assembly in garage or storage area where combustible fumes (gasoline) might be drawn into fireplace.
4. Combustion air may be drawn from crawl space under house when adequate supply of air is provided by open ventilation. *Figure 9*

**NOTE:** Never take combustion air from attic space or garage space.

**NOTE:** Install outside combustion air ONLY ON LEFT HAND SIDE of fireplace.



**Figure 9**



**Figure 10**

**CHECK GAS TYPE**

Use proper gas type for the fireplace you are installing. If you have conflicting gas types, do not install fireplace. See dealer where you purchased the fireplace for proper fireplace for your gas type.

**INSTALLING GAS PIPING TO FIREPLACE LOCATION**

**INSTALLATION ITEMS NEEDED**

Before installing, make sure you have the items listed below:

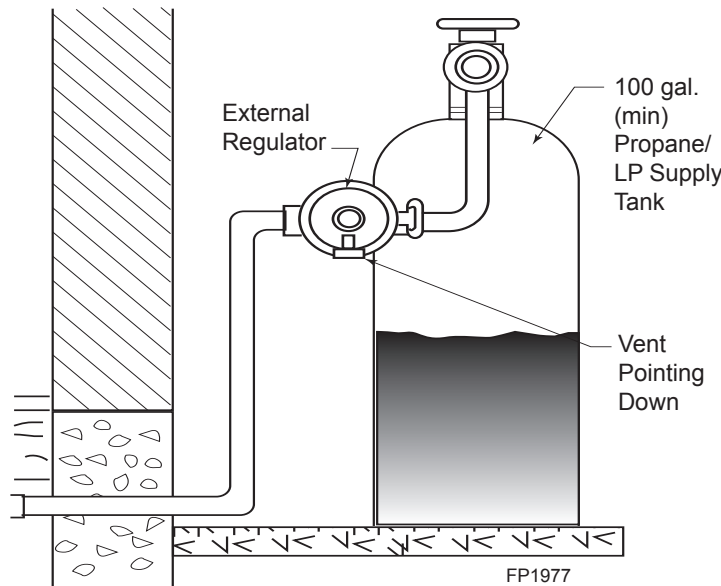
- External regulator (supplied by installer)
- Tee Joint
- Piping (check local codes)
- Pipe wrench
- Sealant (resistant to propane/LP gas)
- Test gauge connection\*
- Sediment trap (optional but recommended)
- Approved flexible gas line with gas connector (if allowed by local codes - not provided)

\*A CSA design-certified equipment shutoff valve with 1/8" NPT tap is an acceptable alternative to test gauge connection. Purchase the CSA design-certified equipment shutoff valve from your dealer.

For propane/LP connections only, the installer must supply an external regulator. The external regulator will reduce incoming gas pressure. You must reduce incoming gas pressure to between 11 and 13 inches of water. If you do not reduce incoming gas pressure, burner system regulator damage could occur. Install external regulator with the vent pointing down as shown in *Figure 11*. Pointing the vent down protects it from freezing rain or sleet.

**WARNING**  
**A qualified installer or service person must connect appliance to gas supply. Follow all local codes.**

**CAUTION**  
**For propane/LP units, never connect fireplace directly to the propane/LP supply. This burner system requires an external regulator (not supplied). Install the external regulator between the burner system and propane/LP supply.**



**CAUTION**  
**Use only new black iron or steel pipe. Internally tinned copper or copper tubing can be used per National Fuel Code, section 2.6.3, providing gas meets hydrogen sulfide limits, and where permitted by local codes. Gas piping system must be sized to provide minimum inlet pressure (listed on data plate) at the maximum flow rate (BTU/hr). Undue pressure loss will occur if the pipe is too small.**

**WARNING**  
**External regulators may be necessary for natural gas. One- or two-pound systems will damage this appliance and may cause fire hazard.**

**Figure 11 - External Regulator with Vent Pointing Down (Propane/LP Only)**

When using copper or flex connectors use only fittings approved for gas connections. The gas control inlet is 3/8" NPT.

**WARNING**

Only persons licensed to work with gas piping may make the necessary gas connections to this appliance.

**CAUTION**

A manual shut-off valve must be installed upstream of the appliance. Union tee and plugged 1/8" NPT pressure tapping point should be installed upstream of the appliance. *Figure 12*

To accommodate the various configurations, access openings in the bottom of the unit are provided for gas line and wall switch wires. This may not be convenient for some installation, if so you may drill an access opening into the lower face of the unit (1" for gas line, 1/2" for the grommet).

**NOTE:** *The gas line connection may be made using 1/2" rigid tubing or an approved flex connector. Since some municipalities have additional local codes, it is always best to consult your local authorities and the current edition of the National Fuel Gas Code ANSI Z223.1/NFPA 54. In Canada CSA-B149 (1 or 2) Installation Code.*

A listed manual shut-off valve must be installed upstream of the appliance. Union tee and plugged 1/8" NPT pressure tapping point should be installed upstream of the appliance. *Figure 5*

**IMPORTANT:** *Install main gas valve (equipment shut-off valve) in an accessible locations. The main gas valve is for turning on or shutting off the gas to the fireplace.*

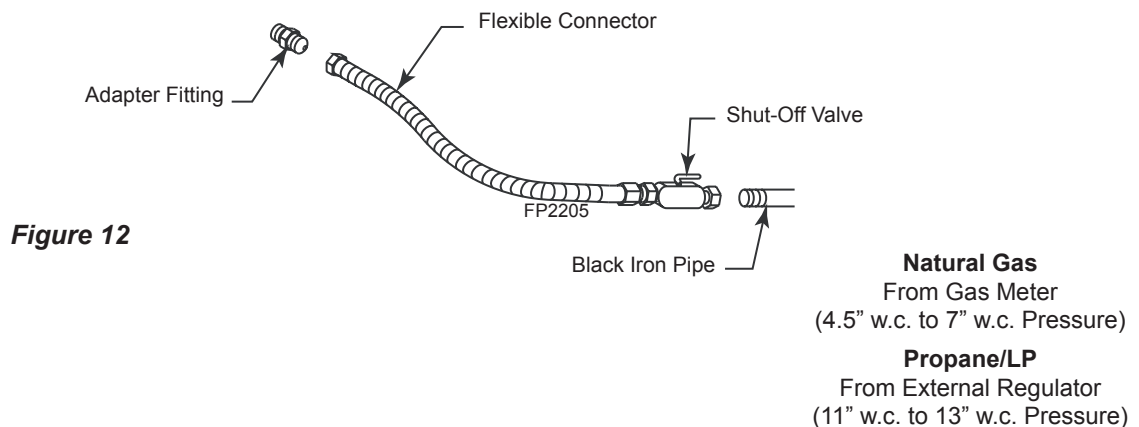
Check your building codes for any special requirements for locating equipment shut-off valve to fireplaces.

Apply pipe joint sealant lightly to male threads. This will prevent excess sealant from going into pipe. Excess sealant in pipe could result in clogged burner system valves.

We recommend that you install a sediment trap/drip leg in supply line as shown in *Figure 12*. Locate sediment trap/drip leg where it is within reach for cleaning. Install in piping system between fuel supply and burner system. Locate sediment trap/drip leg where trapped matter is not likely to freeze. A sediment trap traps moisture and contaminants. This keeps them from going into the burner system gas controls. If sediment trap/drip leg is not installed or is installed wrong, burner system may not run properly.

**CAUTION**

Use pipe joint sealant that is resistant to liquid petroleum (LP) gas.



**ELECTRICAL WIRING**

**WARNING**

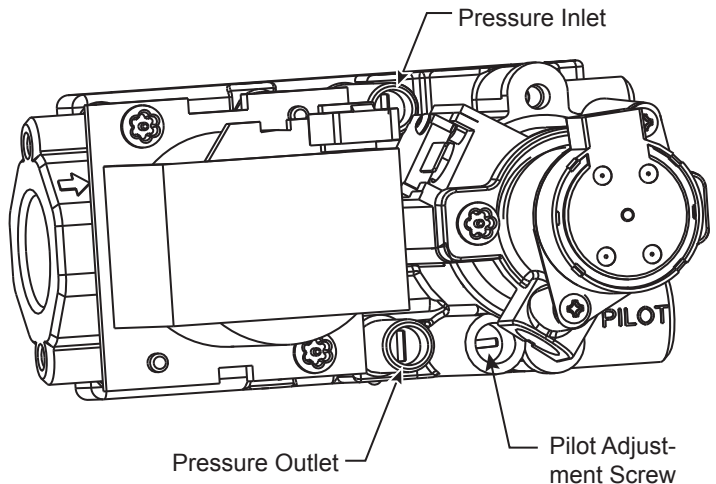
Electrical connections should only be performed by a qualified, licensed electrician. Main power must be off when connecting to main electrical power supply or performing service. All wiring shall be in compliance with all local, city and state codes. The appliance, when installed, must be electrically grounded in accordance with local codes, or in the absence of local codes, with the National Electrical Code ANSI/NFPA 70 (latest edition) and Canadian Electrical Code, CSA C22.1.

**CAUTION**

Label all wires before disconnecting when servicing controls. Wiring errors can cause improper and dangerous operation.

## SIGNATURE COMMAND - CHECK GAS PRESSURE and ELECTRICAL INSTALLATION

1. Check gas type. The gas supply must be the same as stated on the appliance's rating decal. If the gas supply is different from the fireplace, **STOP!** Do not install the appliance. Contact your dealer immediately.
2. To ease installation, a 24" (610 mm) flex line with manual shut-off valve has been provided with this appliance. Install and attach 1/2" gas line onto shut-off valve.
3. After completing gas line connection, purge air from gas line and test all gas joints from the gas meter to the fireplace for leaks. Use a solution of 50/50 water and soap solution or a gas sniffer.
4. To check gas pressures at valve, turn captured screw counter clockwise 2 or 3 turns and then place tubing to pressure gauge over test point. Turn unit to high. *Figure 13.* After taking pressure reading, be sure and turn captured screw clockwise firmly to reseal. Do not over torque. Check test points for gas leaks.



*Figure 13 -  
Signature Command Valve*

**WARNING**

**Do not use open flame to check for gas leaks.**

## ELECTRICAL WIRING

### General

1. This fireplace is equipped with the Signature Control valve which operates on 6 volts. The 6 volt DC adapter plugs into the fireplace junction box A/C power supply. Four (4) "AA" batteries are used for back up during power outages.
2. The Signature Command System can also be operated without A/C power. The system can run on four (4) "AA" batteries for approximately six (6) months under normal use.
3. A/C power must be used to power the A/C module, blowers, lights and AUX accessories if used with this fireplace.

### Optional Accessory Requirements

1. This fireplace may be used with a wall switch, wall mounted thermostat and/or Signature Command wireless controls.
2. The command center control may be mounted on the wall with the use of the SCSWEK 15ft. wall mount extension kit.

**WARNING**

**Electrical connections should only be performed by a qualified, licensed electrician. Main power must be off when connecting to main electrical power supply or performing service. All wiring shall be in compliance with all local, city and state codes. The appliance, when installed, must be electrically grounded in accordance with local codes or in the absence of local codes, with the National Electrical Code ANSI/NFPA 70 (latest edition) and Canadian Electrical Code, CSA C22.1.**

**CAUTION**

**Label all wires before disconnecting when servicing controls. Wiring errors can cause improper and dangerous operation.**

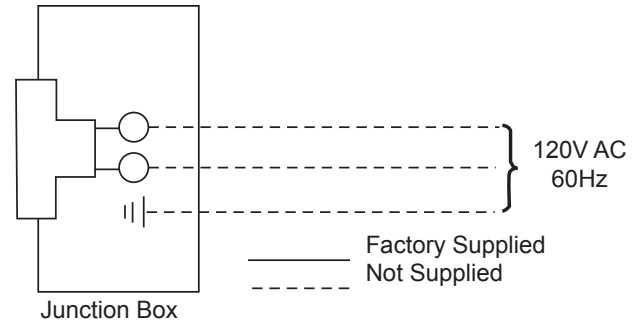
## JUNCTION BOX WIRING

1. This should be done before framing the fireplace. Wire the receptacle into an electrical circuit.

Wire with minimum 60° C wire in accordance with prevailing codes.

2. Remove the external junction box cover by removing the screw from the side of the outside firebox wall. Junction box was installed at the factory.

3. The junction box cover has a factory installed “romex” style strain relief connector. After connecting the wires, route the wire leads through this connector. Refer to the wiring diagram in *Figure 14*.



**Figure 14 -  
Junction Box Wiring Diagram**

## COMMAND CENTER WALL INSTALLATION

The command center may be mounted on the wall with the use of the SCSWEK Kit (15ft. cable, junction box, wall cover).

Mount the junction box provided at the desired location on the wall. Do not extend beyond the 15 ft. wire cable provided. If a longer distance is required, the 15 ft. may be extended up to 30 ft. maximum by using two (2) SCSWEK cables plugged together.

Route the wire from junction box to lower control area at bottom of fireplace. Unplug the 12" cable from the command center. Attach the connector to the pins from wire by pushing in to connector making sure to follow the color code on connector. Plug the 15 ft. extension cable into the 2 ft. cable. Remove command center from the fireplace and plug the other end of the extension cable into the command center. Snap on wall cover provided and screw to junction box.

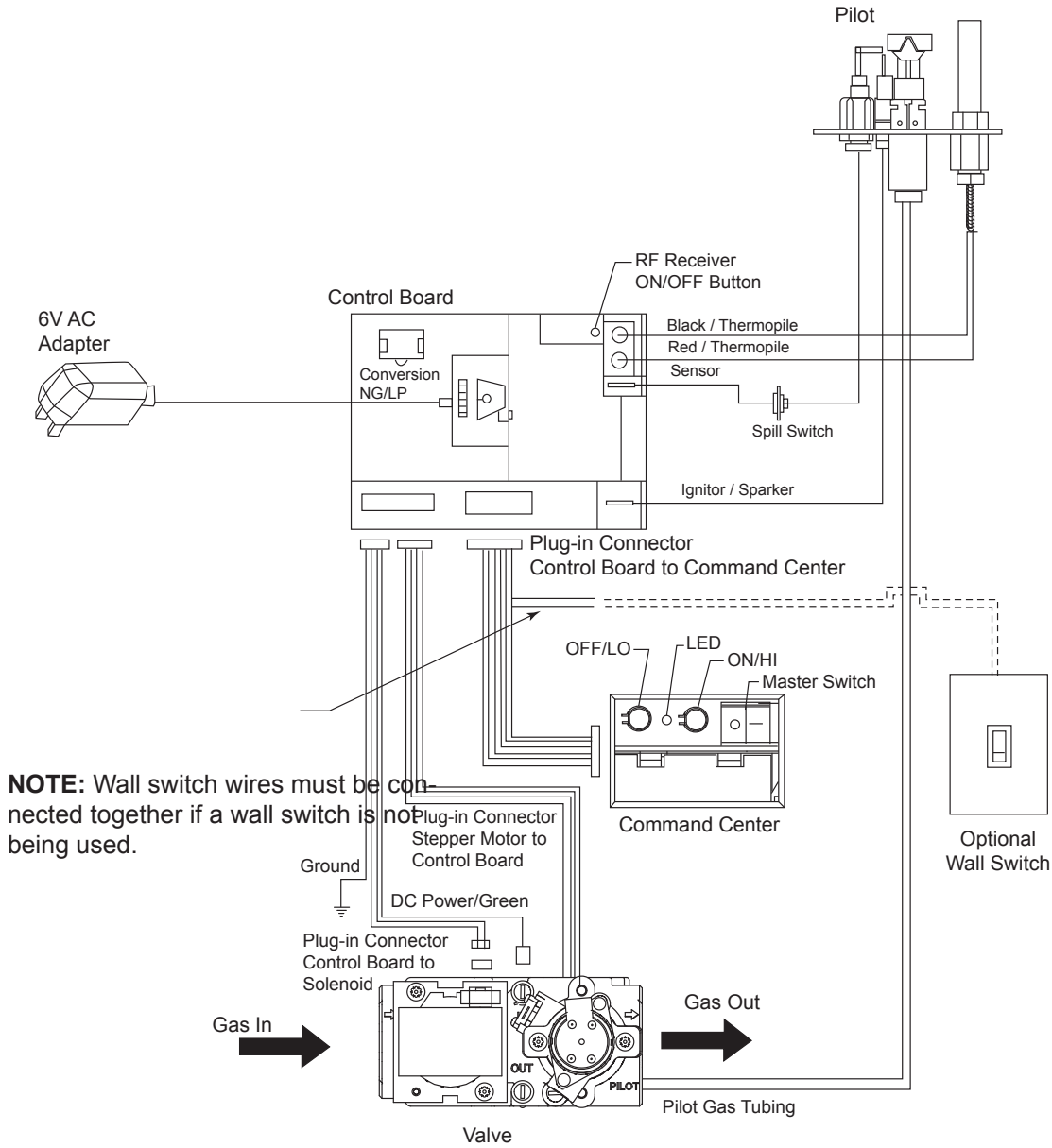
## WALL SWITCH INSTALLATION

The wall switch wire connection is located off the 2 ft. wire harness from the control box to the command center. *Figure 15*. The connection is labeled “Wall Switch”. Unplug the male and female connectors and connect the two (2) low voltage wires provided. Run wire to desired location on wall. Up to 50 ft. of 18 ga. wire may be used if necessary. Attach wires to wall switch. Mount the wall switch in to junction box and screw on cover.

**WARNING**

**Do not connect wall switch to 110 V circuit.**





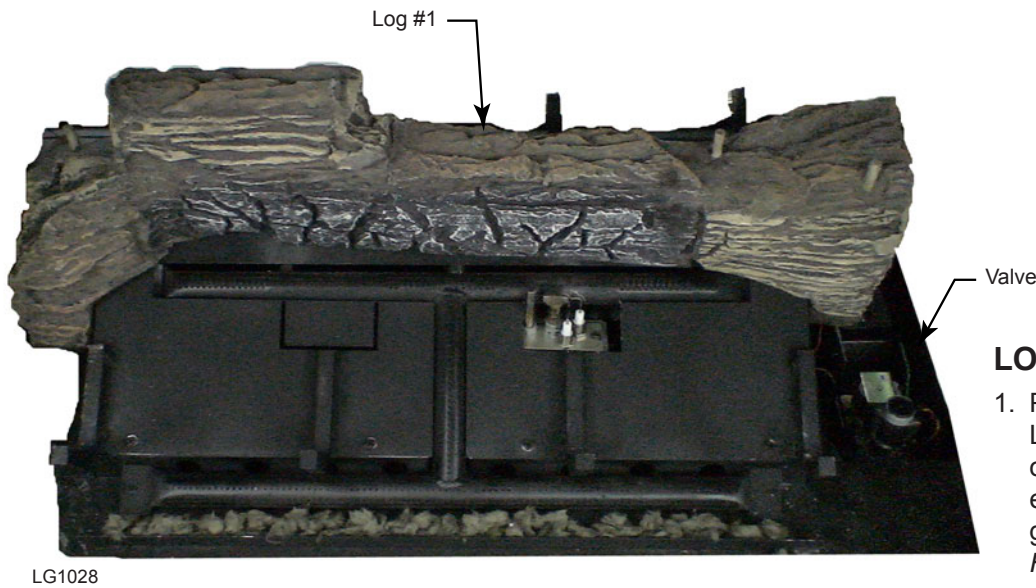
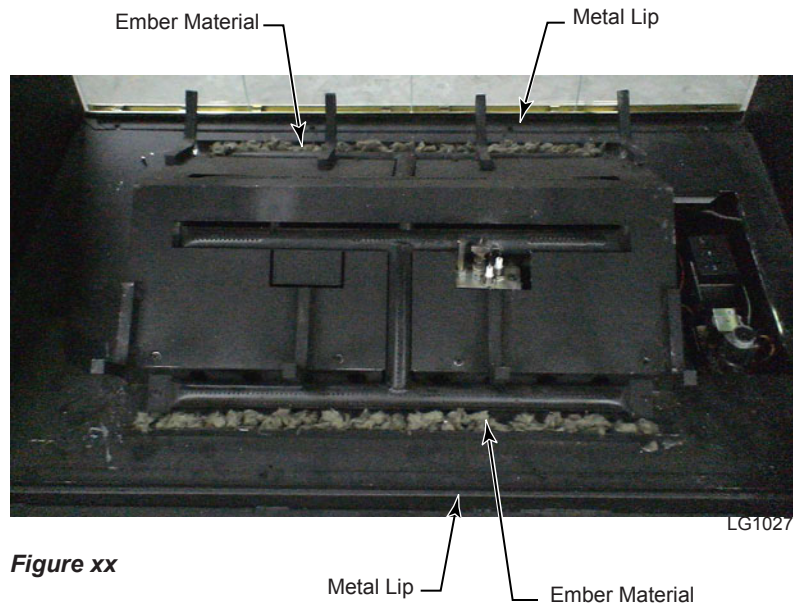
**Figure 15 -  
Signature Command Wiring Diagram**

**CAUTION** Electrical connections should only be performed by a qualified, licensed electrician. Main power supply must be turned off before connecting fans to the main electrical power supply or performing service.

**WARNING** Electrical Grounding Instructions: This appliance is equipped with a three-prong (grounding) plug for your protection against shock hazard and should be plugged directly into a properly grounded three-prong receptacle.

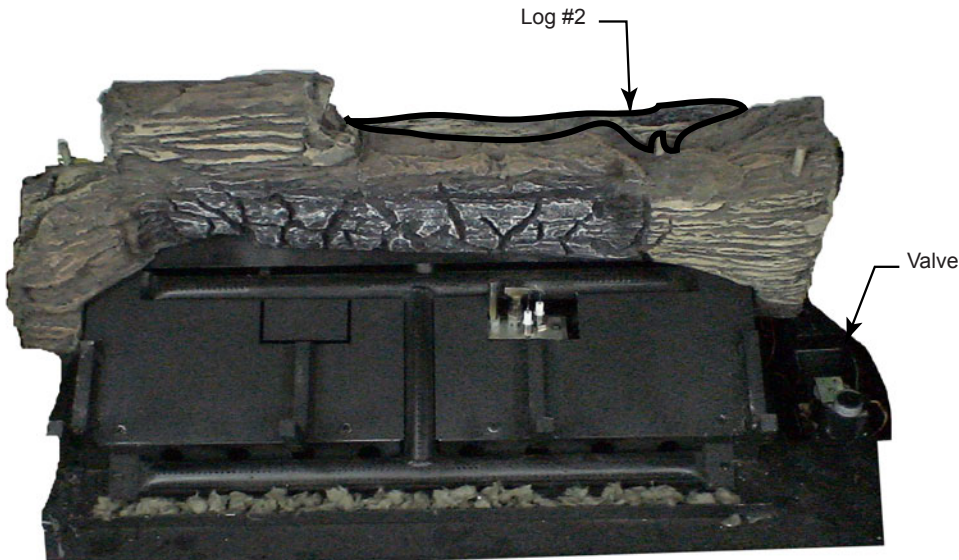
### ROCK WOOL PLACEMENT

Break up rock wool (ember material) into dime sized pieces. Place the pieces between metal lip and burner tube. Maintain a 3/8" space free of ember material directly in front of the front burner ports for best performance and effect. Blockage of the burner ports may create increased soot and carbon build-up. *Figure xx*



### LOG PLACEMENT

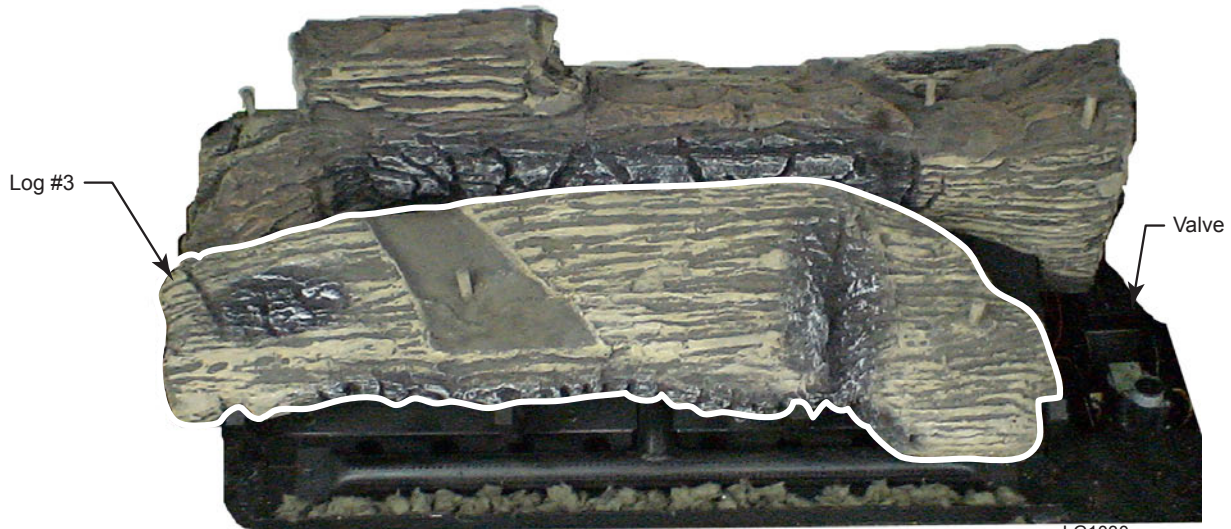
1. Place V-notch in bottom of Log #1 on center V section of burner assembly. Smaller end of log with two (2) pins goes on same end as valve. *Figure xx*



2. Place Log #2 on burner assembly by placing notch on lower right side of log against far right grate bar. Place notch on lower left of log on far left grate bar. Rest log #2 on burner assembly. Note orientation of valve. *Figure xx*

LG1029

Figure xx



LG1030

Figure xx

3. Place Log #3 on burner assembly the same as log #2 on this side of burner assembly. Log #2 and Log #3 are identical. Note orientation of valve. *Figure xx*

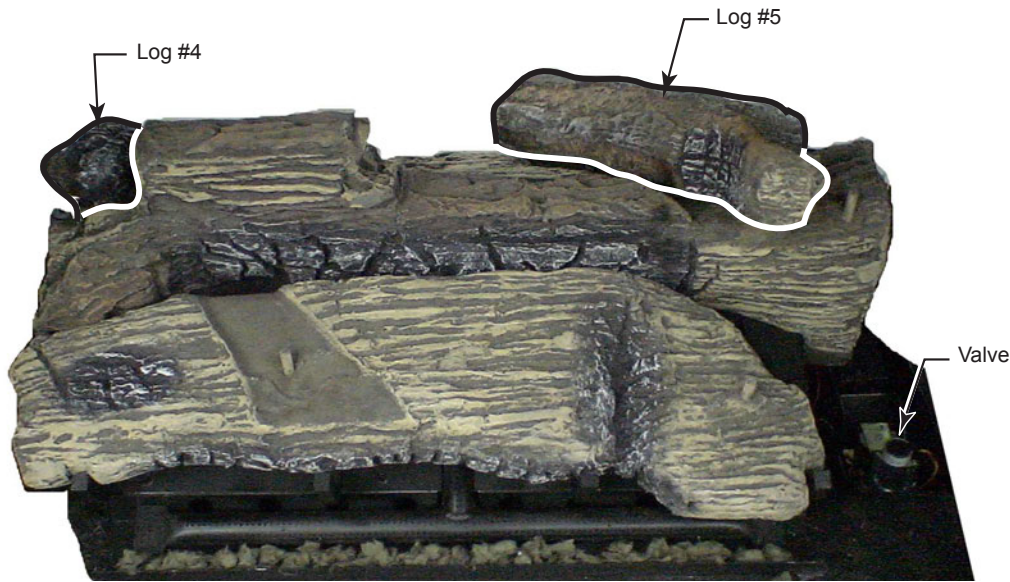


Figure xx

LG1031

4. Place Log #4 by placing hole on pointed end of log #4 onto pin on log #1. Rest notch on bottom of log #4 onto corner of log #2. *Figure xx*
5. Place Log #5 by placing holes in bottom of log onto pin on log #1 and pin on log #2. Note orientation of log #5 and location of valve. *Figure xx*
6. Place Log #6 by placing hole in bottom of log onto pin on log #3 with pointed side up. *Figure xx*
7. Place Log #7 by placing holes in bottom of log onto pins on log #1 and log #3 with curved side of log towards valve. *Figure xx*

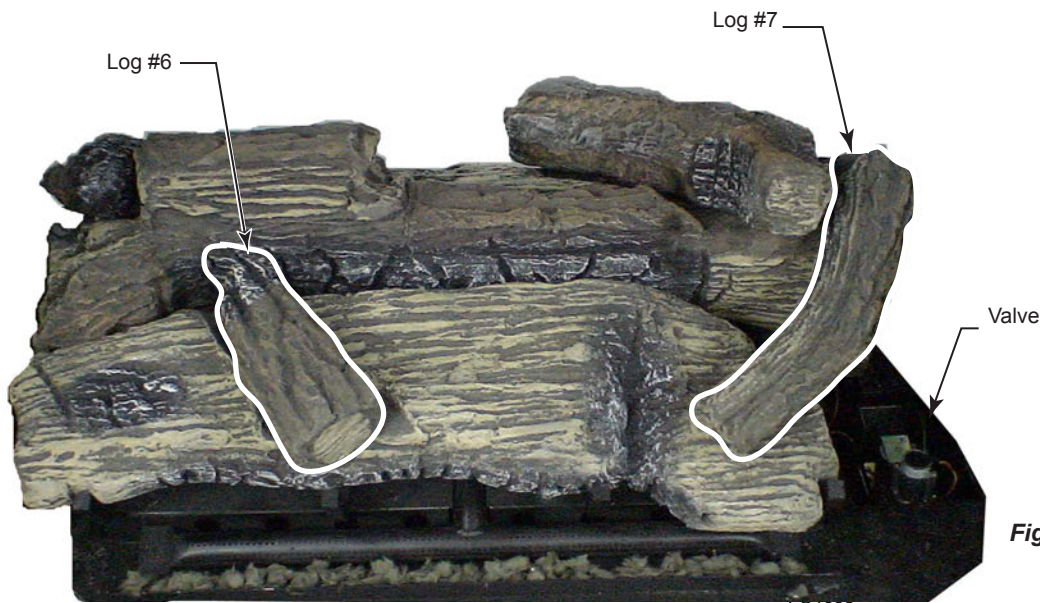


Figure xx

LG1032

## LAVA ROCK PLACEMENT

To further enhance the hearth, lava rock may be placed on the hearth pan area to simulate ashes. Sprinkle lava rock on the floor of the inner combustion chamber. Evenly distribute the rock. Do not pile the lava rock up in front of grate. Do not place lava rock on the burner.

**WARNING**

**Do not sprinkle the lava rock or ember chunks on top of the burner. This may cause potential sooting, glass breakage and a fire hazard.**

## CURING INSTRUCTIONS

When lit for the first time, the fireplace may emit a slight odor for several hours. This is due to the curing and “burn in” of external parts and lubricants used in the manufacturing process. This condition is temporary. Open doors and windows to ventilate the room(s) sufficiently.

**FOR YOUR SAFETY READ BEFORE LIGHTING****WARNING**

If you do not follow these instructions exactly, a fire or explosion may result causing property damage, personal injury or loss of life.

- A. This appliance is equipped with an ignition device which automatically lights the pilot. Refer to the instructions.
- B. BEFORE OPERATING smell all around the appliance area for gas. Be sure to smell next to the floor because some gas is heavier than air and will settle on the floor.

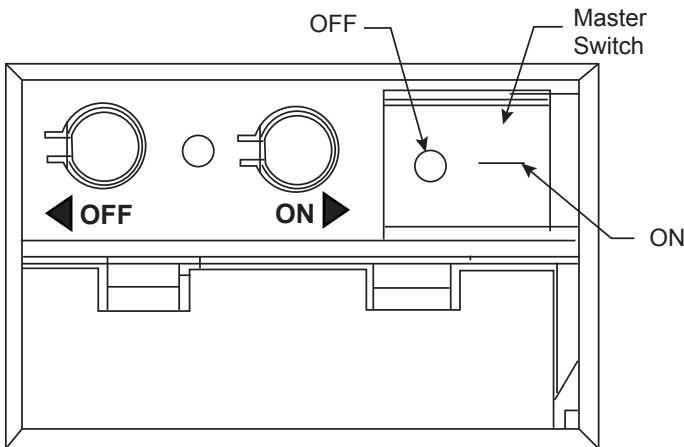
**WHAT TO DO IF YOU SMELL GAS:**

- Do not attempt to light any appliance.
  - Do not touch any electric switch; do not use any phone in your building.
  - Immediately call your gas supplier from a neighbor's phone. Follow the gas supplier's instructions.
  - If you cannot reach your gas supplier, call the fire department.
- C. Use only your finger to push in the master switch. Never use tools. If the switch will not function by hand, do not try to repair it. Call a qualified service technician. Force or attempted repair may result in a fire or explosion.
  - D. Do not use this appliance if any part of it has been under water. Immediately call a qualified service technician to inspect the appliance and to replace any part of the control system and any gas control that has been under water.

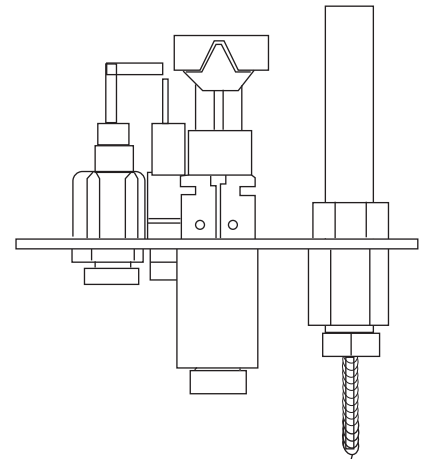
*continued on next page*

## OPERATING INSTRUCTIONS

1. **STOP!** Read the safety information above.
2. This appliance is equipped with an ignition device which automatically lights the burner. Do not try to light the burner by hand.
3. Wait five (5) minutes to clear out any gas. Then smell for gas, including near the floor. If you smell gas, **STOP!** Follow "B" in the safety information on page 41. If you do not smell gas, go to next step.
4. Press the master switch to the "ON" (-) position. Within eight (8) seconds it will beep once. This indicates the system is ready.
5. Press "ON " button. Sparker will spark and pilot flame will light.
6. Once pilot flame is established, the main burner flame will light automatically.
7. If the pilot will not stay lit after several tries, turn the master switch to "OFF" and call your service technician or gas supplier.



**Command Center**



## TO TURN OFF GAS TO APPLIANCE

1. Turn master switch to "OFF".
2. Turn off all electrical power to the appliance if service is to be performed.

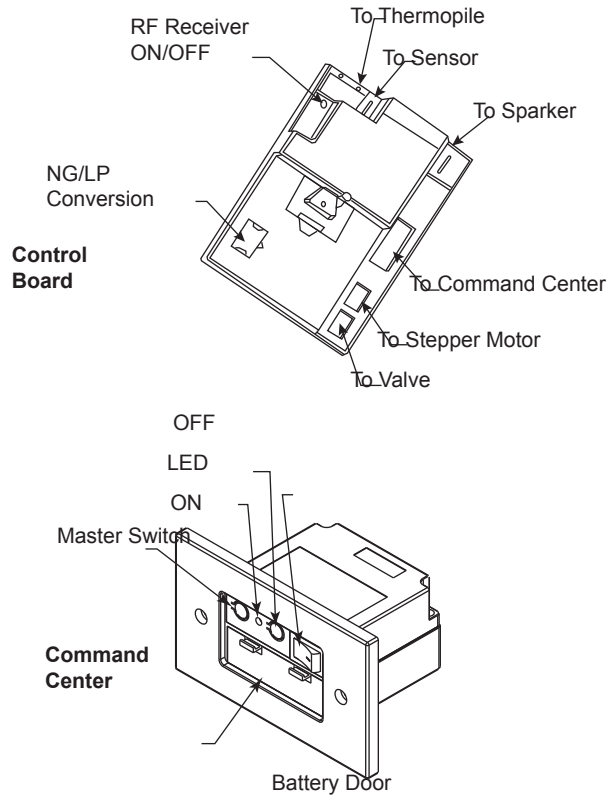
## FEATURES

### Command Center

- Easy Access Function Operation and System Configuration
- Operation Confirmation/Fault Diagnostic Indications (LED/Buzzer)
- ON/OFF/Hi/Med/Low Operation
- Optional Wall Mounting

### Control Board

- Electronic Ignition
- Pilot Lockout safety feature
- Electric Power Regeneration from Thermopile to save battery
- 6-hour Automatic Shut Down Option
- Convenient NG/LP Gas Type Conversion
- Standing Pilot/Intermittent pilot Conversion
- Previous settings Restoration Ability (Memory Off)
- Uninterrupted Operation During Power Outage (Automatic Battery Backup)
- ON/OFF RF Remote Receiver
- Optional Transmitter Learn Capability



**Figure 18 -  
Signature Command System Components**

### Transmitter (Optional)

	TSMSC	RMSC
Three Flame Height Settings	X	X
Low battery Indication for Transmitter	X	X
Child Proof Lock-out	X	X
LCD Backlight	X	X
Security Codes 16	X	X
Countdown 6 hr Timer	X	--

## BATTERY INSTALLATION

The Command Center uses four (4) "AA" batteries as back up for power outages. The system can operate for approximately six (6) months on battery power.

### To Install Batteries (not included):

1. Press down the battery door tabs and pull out to remove battery door.
2. Install the batteries as indicated on Command Center.
3. Close battery door by snapping in place.
4. When the four (4) batteries are installed the system will operate without power.
5. The batteries should be replaced when the LED indicates low battery or at least once a year.



# SIGNATURE COMMAND SYSTEM OPERATION INSTRUCTIONS

## SYSTEM CONFIGURATION/SETUP

All System configuration/setup is done on the Command Center.

**NOTE:** When using On/Off wall switch, the switch must be in the ON position to perform all configuration set ups at the command center.

### Intermittent/Standing Pilot Setup (Default intermittent)

1. Holding the ON button on the Command Center while turning on the master switch will toggle between standing pilot and intermittent pilot.
2. After the above operation, one beep (for standing pilot) or two beeps (for intermittent pilot) will be given as confirmation.

### Six-hour Safety Shutdown Option (Default ON)

1. The system comes preset from the factory with a six (6) hour shutdown from its last command of operation. This is done to prevent the fireplace from continuing to operate if unattended. You may disable this feature if you wish.

**NOTE:** By disabling this feature, your fireplace may continue to operate unattended.

2. When the master switch is in the ON position ("–"), pressing the ON button and the OFF button on the Command Center simultaneously will toggle between enabling and disabling the six-hour shutdown option.
3. After the above operation, one beep (for enabling the six-hour shutdown option) or two beeps (for disabling the six-hour shutdown option) will be given as confirmation.

### Remote Transmitter Learn Function (Default OFF)

1. The RF receiver button located on the Control Board must be in the on position before the learn function can begin. Use paper clip to depress button. One beep for RF receiver ON or two beeps for RF receiver OFF will be given as confirmation. Refer to Figure 18 for location.
2. After the RF receiver is on, holding the OFF button on the Command Center while turning on the master switch will activate the learn function for the transmitter.
3. After the above operation, two beeps will be given and the green LED on the Command Center will flash for 10 seconds.
4. During the 10 seconds, press the OFF button on a transmitter to learn. Another two beeps will be given to confirm a successful learning. Refer to transmitter instructions for remote operations.

### Shutting Off the Standing Pilot (Temporary Shut Off)

To shut off the standing pilot for service or summer shut down, press and hold the ON button on the Command Center for 3 seconds when the master switch is in the ON position ("–") and the main burner is off.

**Note:** Pilot will resume the next time system is turned on.

## Key Combinations for System Settings

**NOTE:** When On/Off wall switch is used, it must be in the On position to perform all system setups.

Function	Operation	Default Setting
Intermittent/Standing Pilot Setup	Hold the ON ▲ button while turning on the master switch (Beep once for standing pilot, twice for intermittent pilot)	Intermittent Pilot
Standing Pilot Temp. Shutoff	Hold the ON ▲ button 3 seconds (when the master switch on the main burner is off)	
RF Remote Receiver On/Off	Push the RF receiver On/Off button on the control board Beep once for ON and beep twice for OFF	RF OFF
Learn Remote Transmitter	Hold the OFF ▼ button while turning on the master switch (Beep twice then press any handheld remote button)	
6-hour safety shutdown setup	Press the ON ▲ button and OFF ▼ button simultaneously (Beep once for ON, twice for OFF)	ON

# SIGNATURE COMMAND SYSTEM OPERATION INSTRUCTIONS

## FUNCTIONS/OPERATION

### Turning on the fireplace

1. Turn on the master switch and wait for a beep.
2. Press the ON button on the Command Center or turn on wall switch. Pilot will light and burner will come on High setting or last memory setting (See Turning Off Fireplace below). For memory feature.

### Pilot Safety Lockout Function

1. If the pilot doesn't light after sparking for 30 seconds, pilot trial lockout happens. The LED on the Command Center flashes Green once every 2 seconds, until reset.
2. If the pilot flame is lost during normal operation, the system will try three (3) times to relight after three (3) failures, flame loss lockout happens. The LED on the Command Center flashes Red-Green once every 2 seconds, until reset.
3. Turning the master switch on the Command Center to the off position, then ON again will reset the system.

### Flame Height Control

1. Press the ON button (on the Command Center) once to turn on the main burner with maximum flame height.
2. Press the OFF button to decrease flame height. The first two presses will decrease the flame height to medium and low.
3. The third press on OFF will turn off the main burner. In standing pilot configuration, the pilot will stay; in intermittent pilot configuration, the pilot will be shut off.

### Turning the Fireplace Off

There are three ways to turn the fireplace off.

1. Flip the master switch to the off ("O") position. (This will turn the entire system OFF.)
2. Press the OFF button to Medium, Low, then Off.
3. Hold the OFF button anytime for three seconds or by turning off the wall switch. These two commands of OFF are (Memory Off) the system will remember all last settings before turning off. The next time the fireplace is turned on, all settings will resume. To reset, change to the desired settings and shut off by using the Memory Off commands and the system will be reset to those new settings.

## Command Center Operations:

The following functions are available on the Command Center.

Function	Operation
Power Up	Flip the master switch to the ON ("I") position to power up the system
Fireplace ON	Press the ON ▲ button on the Command Center or turn on wall switch to turn the fireplace on
Fireplace OFF	Flip the master switch to the OFF ("O") position OR press the OFF ▼ button 3 times OR for Memory Off, hold the OFF ▼ button 3 seconds, or turn off wall switch
Flame Height Up	Press the ON ▲ button once to turn on the fireplace with maximum flame height
Flame Height Down	Press the OFF ▼ button to lower the flame height to Medium and Low

## Self Diagnostics Chart:

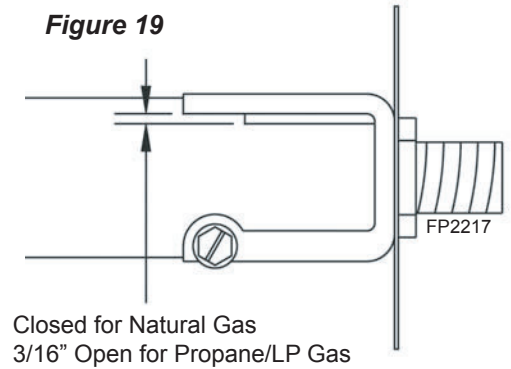
The Command Center has a self-diagnostic LED enabling you to troubleshoot problems and potentially avoid a service call. Please refer to the charts below for indicator reference.

Fault	LED Indication
Conversion Cover Missing	One RED (1 time)
Spark Fail	Two RED (1 time)
No Sensor Signal	Three RED (1 time)
Pilot Lockout - trial	One GREEN, every 2 sec. (until manual reset)
Pilot Lockout - flame loss	One RED-GREEN, every 2 sec. (until manual reset)
Low Battery	One RED, every 10s (continuously)
No or Low Thermopile Power	Two RED, every 10s (continuously)
Learning	GREEN Flashes, every 1 sec. (for 10 sec.)
AC Power On	GREEN solid
Pressure Switch Failed (Power Vent only)	One RED every 2 sec. (until manual reset)

**Venturi Adjustment**

Natural gas models have a closed shutter. Opening the air shutter will cause a more blue flame, but can cause flame lifting from the burner ports. Propane gas models have an air shutter set at 3/16" (.188 mm) open. The same conditions as above apply for propane gas.

**NOTE** Air shutter adjustment must only be done by a qualified gas installer.



**WARNING** Turn off gas before servicing fireplace. It is recommended that a qualified service technician perform these check-ups at the beginning of each heating season.

Air flowing through the appliance will cause dust and lint to collect on the grate, burner and logs. Excessive build-up of dust and lint can cause the pilot and burner to operate improperly and produce hazardous levels of carbon monoxide, a poisonous gas. The appliance may produce carbon (soot) during operation. This carbon (soot) may collect on some logs, some areas of the grate and on the fireplace and vent. Slight carbon build-up is acceptable.

The following is a recommended monthly maintenance program:

1. Turn the gas OFF at the line shut-off valve and allow the appliance to cool.
2. Blow or vacuum all dust and lint out of the appliance, paying particular attention to the pilot, air shutter end of the burner, air passage into and through the appliance and control.
3. Vacuum or brush away all dust, carbon or lint on the logs and grate.
4. Turn the gas ON at the line shut-off valve and light the appliance according to the lighting instructions.
5. Check all piping, pilot tubing and manifold connections for leaks with a soap and water or liquid leak detecting solution. If any leaks are observed, turn the gas OFF immediately and make the necessary repairs.
6. Light the pilot and visually inspect the flame appearance. **NOTE:** Any maintenance of the appliance that requires disconnection of the appliance from the gas line or removal of the control, burner or pilot should only be performed by a qualified person.

Correct installation and safe operation of this appliance require, but are not limited to the following:

**DO'S**

1. Do use this appliance only on type of gas it is designed, certified and equipped.
2. Do install this appliance and all gas piping according to local codes, or in the absence of local codes, according to the current National Fuel Gas Code, ANSI Z223.1 latest edition.
3. Do disconnect or isolate the appliance during supply line pressure testing.
4. Do locate the appliance out of traffic patterns as much as possible.
5. Do keep in mind that some furniture materials such as vinyl or plastic may deform at the temperatures near this appliance and must be kept at greater distances.
6. Do use joint compound (pipe dope) on threaded joints of gas piping that is resistant to the action of liquefied petroleum gas.
7. Do include a manual shutoff valve and union ahead of the controls so the controls and appliance may be removed for servicing if necessary.
8. Do use only ground joint unions in gas piping.
9. Do include a drip leg in the gas supply connection to the appliance.
10. Do use only soap-water solution or liquid gas leak solution when checking for leaks in the gas plumbing. Never use matches, candles or other ignition sources when checking for leaks.
11. Do connect the appliance only to an agency listed vent system.
12. Do adjust the air shutter as required to produce the proper flame as described in this manual.
13. Do keep the area around the appliance clear and free from combustible materials, gasoline and other flammable vapors and liquids.
14. Do follow the lighting and operation procedures given in this manual.
15. Do periodically inspect the pilot and burner flame as described in the maintenance section of this manual.
16. Do clean the appliance as specified in the maintenance section of this manual.
17. Do provide electrical grounding of appliance in accordance with local codes and/or the National Electric Code ANSI NFPA 70 latest edition.
18. Do inspect the entire venting system at least once a year and replace all parts that show evidence of damage or deterioration.

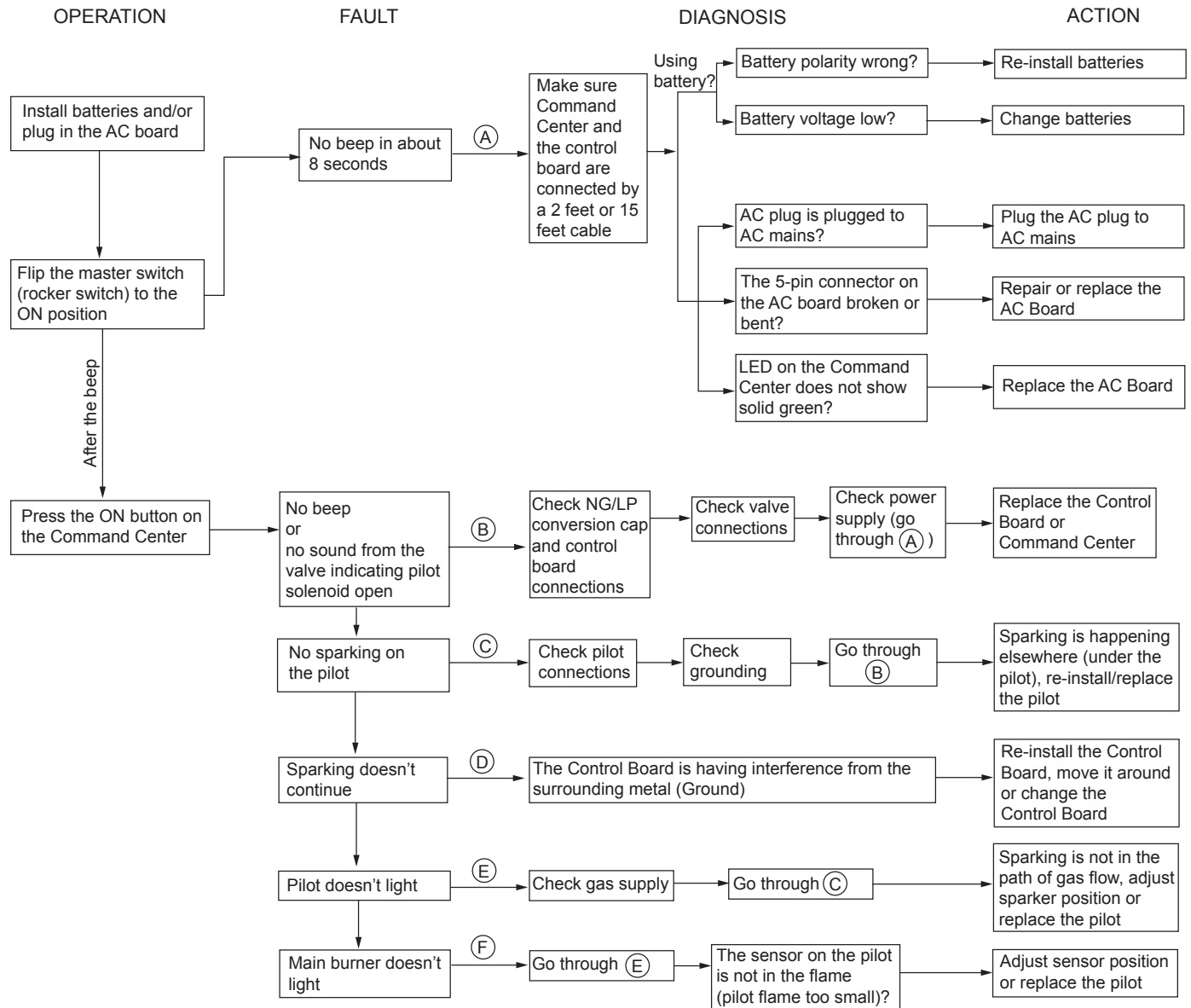
**DONT'S**

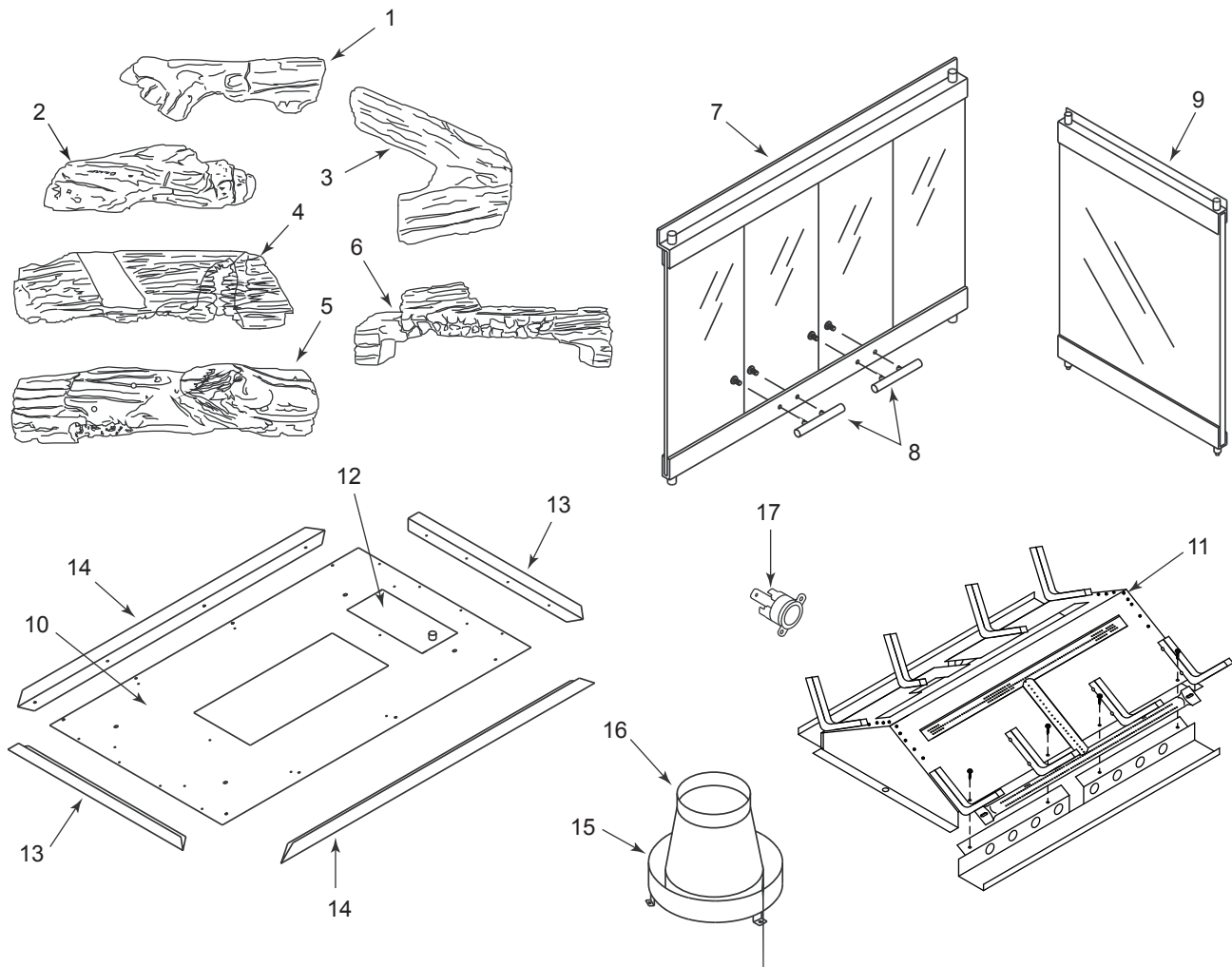
1. Don't modify or alter the appliance cabinet (jacket) in any way.
2. Don't use this appliance on any gas other than the type for which it is equipped. The type of gas for which the appliance was equipped at the factory is stamped on the rating plate located on the bottom of the appliance.
3. Don't install the appliance in areas where gasoline or any flammable liquefied or any explosive materials may be used or stored.
4. Don't obstruct the flow of air for combustion and ventilation into or away from the appliance at any time.
5. Don't use this appliance if any part has been under water. Immediately call a qualified service technician to inspect the appliance and to replace any part of the control system and any gas control which has been under water.
6. Don't operate this appliance without proper electrical grounding according to local codes or the National Electric Code ANSI NFPA 70 latest edition.
7. Don't operate this appliance without a proper vent.
8. Don't connect this appliance to a chimney flue serving a solid fuel burning appliance.
9. Don't use thermostat or automatic burner cycling devices.

While MHSC has made every reasonable effort to ensure this appliance operates properly and satisfactorily, sometimes problems do arise. The following troubleshooting chart lists several problems with their probable cause and remedy. Any adjustments and/or replacements must be by a qualified person. Do not replace any component with a different type. Use only components supplied by the manufacturer for this appliance.

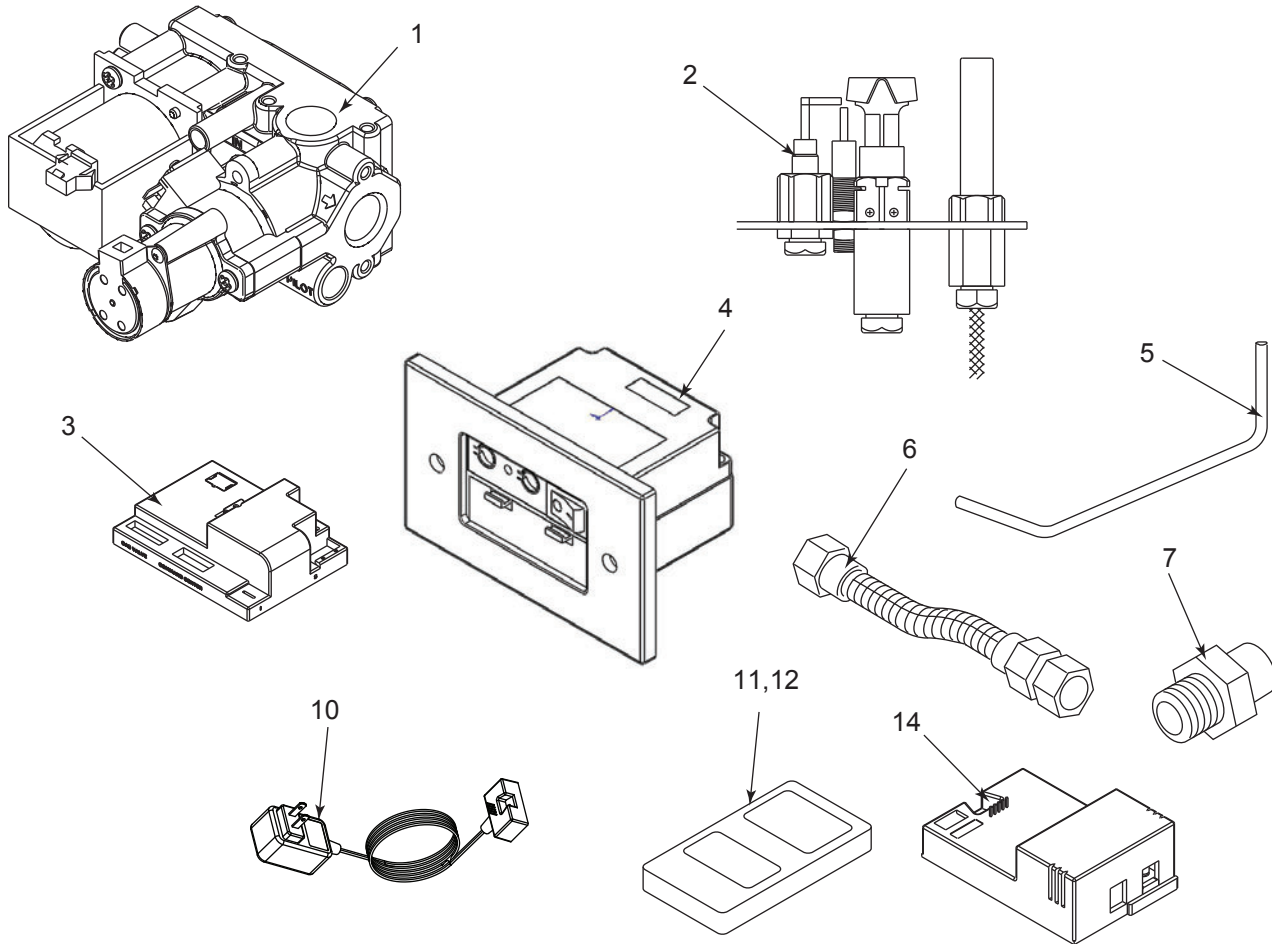
<b>Problem</b>	<b>Probable Cause</b>	<b>Remedy</b>
Flame too large	<ol style="list-style-type: none"> <li>1. Pressure regulator set too high</li> <li>2. Defective regulator</li> <li>3. Burner orifice too large</li> </ol>	<ol style="list-style-type: none"> <li>1. Reset, using manometer</li> <li>2. Replace</li> <li>3. Replace with correct size</li> </ol>
Noisy flame	<ol style="list-style-type: none"> <li>1. Too much primary air</li> <li>2. Noisy pilot</li> <li>3. Burr in orifice</li> </ol>	<ol style="list-style-type: none"> <li>1. Adjust air shutters</li> <li>2. Reduce pilot gas</li> <li>3. Remove burr or replace</li> </ol>
Yellow or excessive flame	<ol style="list-style-type: none"> <li>1. Too little primary air</li> <li>2. Clogged burner ports</li> <li>3. Misaligned orifices</li> <li>4. Clogged vent system</li> </ol>	<ol style="list-style-type: none"> <li>1. Adjust air shutter</li> <li>2. Clean ports</li> <li>3. Realign or replace burner</li> <li>4. Clean</li> </ol>
Floating flame	<ol style="list-style-type: none"> <li>1. Blocked venting</li> <li>2. Insufficient primary air</li> </ol>	<ol style="list-style-type: none"> <li>1. Clean</li> <li>2. Adjust air shutter</li> </ol>
Delayed ignition	<ol style="list-style-type: none"> <li>1. Improper pilot location</li> <li>2. Pilot flame too small</li> <li>3. Burner ports clogged</li> <li>4. Low pressure</li> </ol>	<ol style="list-style-type: none"> <li>1. Reposition pilot</li> <li>2. Check orifice, increase gas</li> <li>3. Clean ports</li> <li>4. Adjust pressure regulator</li> </ol>
Failure to ignite	<ol style="list-style-type: none"> <li>1. Main gas off</li> <li>2. Defect in gas valve</li> </ol>	<ol style="list-style-type: none"> <li>1. Open manual shut-off valve</li> <li>2. Replace</li> </ol>
Burner won't turn off	<ol style="list-style-type: none"> <li>1. Defective auto valve</li> </ol>	<ol style="list-style-type: none"> <li>1. Clean or replace</li> </ol>
Burner won't turn on	<ol style="list-style-type: none"> <li>1. Defective auto valve</li> <li>2. Defective pilot sensor</li> <li>3. Defective switch</li> <li>4. Defective auto pilot valve</li> </ol>	<ol style="list-style-type: none"> <li>1. Replace</li> <li>2. Replace</li> <li>3. Repair or replace</li> <li>4. Replace</li> </ol>
Burner & pilot flame go out	<ol style="list-style-type: none"> <li>1. Poorly functioning vent system</li> <li>2. Gas supply interrupted</li> <li>3. Defective pilot or control</li> </ol>	<ol style="list-style-type: none"> <li>1. If pilot can be relit but main burner &amp; pilot go off after ignition, have vent system checked and corrected immediately</li> <li>2. Try relighting pilot and main burner. If pilot won't relight, check thermocouple and control</li> <li>3. Replace</li> </ol>

SIGNATURE COMMAND SYSTEM





Ref.	Description	Qty.	Part No.
1.	Twig, Top	1	074270
2.	Twig, End	1	074269
3.	Twig, Front Y	1	074268
4.	Log, Back	1	074266
5.	Log, Front	1	074265
6.	Log, Middle	1	074267
7.	Front Door Assy	2	20304161
8.	Handle Package	1	037438
9.	End Door Assy	2	20304162
10.	Hearth Pan Ptd.	1	071584
11.	Burner Assy	1	079057
12.	Access Panel Ptd.	1	071585
13.	Hearth Pan Edge Short Ptd.	2	071567
14.	Hearth Pan Edge Long Ptd.	2	071568
15.	Radiation Shield Assy	1	070945
16.	Transition Section	1	070989
17.	Limit Switch	1	071589



**SIGNATURE COMMAND SYSTEM**

Ref.	Description	Qty.	Part No.
1.	Gas Valve Assy	1	80D0001
2.	Pilot Assy	1	80D0006
3.	Control Box	1	80D0018
4.	Command Center	1	80D0005
5.	Burner Tube	1	27D0435
6.	Flexline w/ Shut-off	1	69D0030
7.	Injector	1	27D0433
8.	Wire Valve Control (not shown)	1	80D0010
9.	Wire Command Ctr. Control Box 2' (not shown)	1	80D0008
10.	A/C Adapter (6 volt)	1	80D0041
<b>Accessories</b>			
11.	Hand Held Remote Control w/ HI/LO & Timer		RMSC
12.	Touch Screen Remote Hi/Lo and Timer		TMSC
13.	SCS Wall Mount Extension Kit (15' wire, rough-in box, wall cover) (not shown)		SCSWEK
14.	SCS AC Module (Optional blower, Light & Aux. Control)		SCSACM



**ACCESSORIES**

Outside Air Kit	6AK
Back Refractory Look Panel	DBVFBB
Side Refractory Look Panel	DBVFBS

**CONVERSION KIT**

6CSC LP Conversion Kit	BVCKPS
------------------------	--------



# LIMITED LIFETIME WARRANTY POLICY

## LIFETIME WARRANTY

The following components are warranted for life to the original owner, subject to proof of purchase; Firebox, Combustion Chamber, Heat Exchanger, Grate and Stainless Steel Burners.

## FIVE YEAR WARRANTY

The following components are warranted for five (5) years to the original owner, subject to proof of purchase; Ceramic Fiber Logs.

## BASIC WARRANTY

MHSC warrants the components and materials in your gas appliance to be free from manufacturing and material defects for a period of two (2) years from date of installation. After installation, if any of the components manufactured by MHSC in the appliance are found to be defective in materials or workmanship, MHSC will, at its option, replace or repair the defective components at no charge to the original owner. MHSC will also pay for reasonable labor costs incurred in replacing or repairing such components for a period of two (2) years from date of installation. Any products presented for warranty repair must be accompanied by a dated proof of purchase.

This Limited Lifetime Warranty will be void if the appliance is not installed by a qualified installer in accordance with the installation instructions. The Limited Lifetime Warranty will also be void if the appliance is not operated and maintained according to the operating instructions supplied with the appliance, and does not extend to (1) firebox/burner assembly damage by accident, neglect, misuse, abuse, alterations, negligence of others, including the installation thereof by unqualified installers, (2) the cost of removal, reinstallation or transportation of defective parts on the appliance, or (3) incidental or consequential damage. All service work must be performed by an authorized service representative.

This warranty is expressly in lieu of other warranties, express or implied, including the warranty of merchantability of fitness for purpose and of all other obligations or liabilities. MHSC does not assume for it any other obligations or liabilities in connection with sale or use of the appliance. In states that do not allow limitations on how long an implied warranty lasts, or do not allow exclusion of indirect damage, those limitations of exclusions may not apply to you. You may also have additional rights not covered in the Limited Lifetime Warranty.

MHSC reserves the right to investigate any and all claims against the Limited Lifetime Warranty and decide upon method of settlement.

## IF WARRANTY SERVICE IS NEEDED...

1. Contact your supplier. Make sure you have your warranty, your sales receipt and the model/serial number of your MHSC product.
2. DO NOT ATTEMPT TO DO ANY SERVICE WORK YOURSELF.

**MHSC**

---

149 Cleveland Drive • Paris, Kentucky 40361  
[www.mhsc.com](http://www.mhsc.com)