

PRODUCT SPECIFICATIONS

2477 Small Non Catalytic Wood Stoves

**DIMENSIONS**

Unit Height : 29 3/4"

Unit Width: 24"

Unit Depth: 17 1/2" (Leg to Leg)

TECHNICAL INFORMATION

Maximum Heat Output: 35,000 BTU's/hr.

Efficiency Rating: 63%*

EPA Emissions Rating**: 1.41 grams/hr.

Heating Capacity: 700-1,400 sq. ft.

Wood Capacity # of lbs.: 20-25 lbs

Log Size (inches): 19"

Burn Time: Up to 8 hrs.

Flue Collar Size: 6"

Bottom Heat Shield: Included

* Efficiency rating for these models is the EPA default figure

** Under specific conditions used during EPA emissions testing

OPTIONAL ACCESSORIES

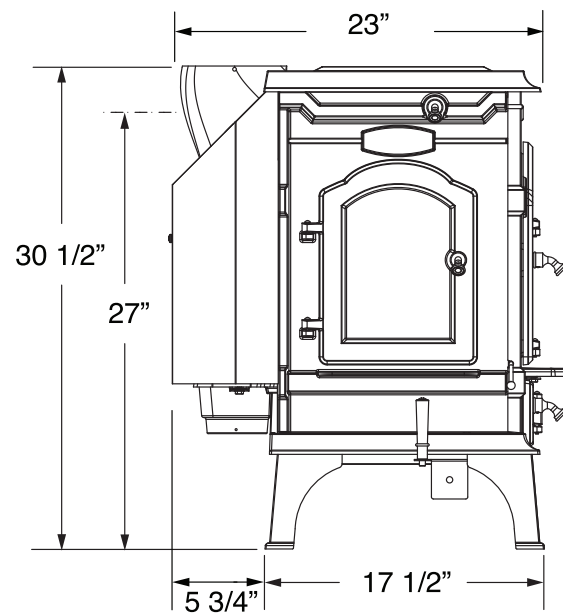
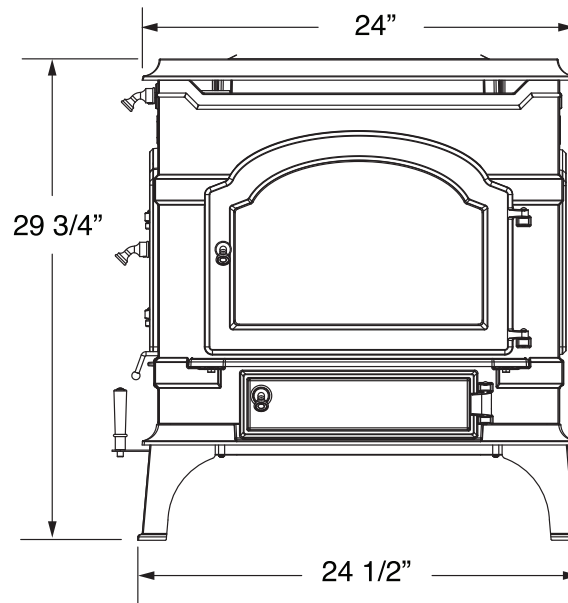
Fan kit with rheostat

Side heat shield

Flue collar heat shield

Outside air termination kit

Mobile home kit - 2477 stove only (U.S. and Canada)



MADE IN U.S.A.



A Brand of Monessen Hearth Systems Co.
149 Cleveland Drive, Paris, Kentucky 40361
www.vermontcastings.com

To avoid personal injury or property damage, the product described by this brochure must be installed, operated and maintained in strict compliance with the instructions packaged with the product and all applicable building or fire codes. Contact local building or fire officials about restrictions and installation inspection requirements. All photographs and drawings on this brochure are for illustrative purposes only and are not intended for, nor should they be used as a substitute for the instructions packaged with the unit. Appearance and specifications of the product are subject to change without notice. © 2008 Monessen Hearth Systems Co.