

1613NS Spruce Cove

Wall-Mount, Compact, Vitreous China Lavatory




Features

- 16-1/8" x 13-1/4" Wall-mount lavatory
- Basin: 13-1/4" x 8"
- Concealed front overflow
- Available in 4" faucet center
- The Mansfield® limited lifetime warranty
- Available in White



Model 1613NS-4
Less faucet, drain
assembly and supply

Components

Model #	Description	Codes/Standards
1613NS-4	16-1/8" x 13-1/4" Wall-mount lavatory with 4" faucet center. Complete with hanger and installation instructions. Less faucet, drain assembly and supply.	




MADE IN USA

1613NS Spruce Cove

Wall-Mount, Compact, Vitreous China Lavatory

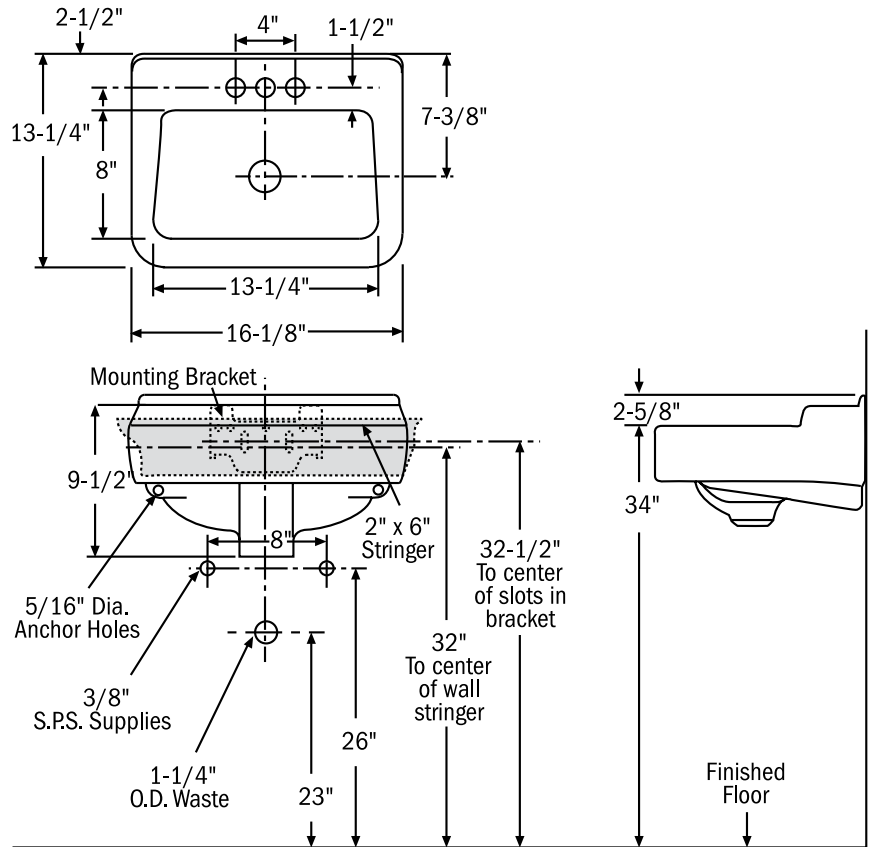


Specifications

Model #	Description	Codes/Standards
1613NS	Wall-mount, compact lavatory	

Specification	Description	Specification	Description
Material	Vitreous China	Faucet Hole	4" - 1-3/16" (all holes)
Warranty	Vitreous China - Limited Lifetime	Shipping Weight	Model 1613NS - 24 lbs. (10.8 kg)

Technical Information



All Mansfield® wall-mount urinals are supplied with this exclusive one-piece steel hanger. Easily installed and adjusted, it contains 7 holes for solid mounting against wall. Anchoring screw must be used for correct installation. Standard plumbing practice recommends use of both mounting bracket and anchoring screws. NOTE: For secure installation, wall-mounting hanger should be fastened to solid support wall stud.

See our complete line of acrylic and vitreous china bathroom fixtures, plastic tank trim and plumbing products.

These dimensions are nominal and subject to change without notice.
 Fixture performance and specifications meet or exceed ASME A112.19.2-2008/CSA B45.1-08 standards, and other state and local codes.



MADE IN USA