

Models 6719
PRO-FIT® 3660 OV
Oval Air Massage or Bathtub



Features

- 60" x 36" x 22" Oval air massage bath
- Spacious bathing well
- Powerful, single-speed blower and air switch for reliable operation
- Heating element warms the air before it enters the bathing well through the perimeter channel
- 20 minutes after the bath is turned off the motor automatically blows any remaining residue out of the "Quick Drain" air channel
- Limited One-Year Acrylic Warranty
- Available in Standard Colors: White, Almond, Biscuit, Bone



Model 6719
 (Shown with metal air switch and Lift and Turn drain)

Options

Lift and Turn Drain

PF1320	Polished Chrome
PF1321	Everbrass (PVD)
PF1322	Brushed Nickel
PF1323	Oil Rubbed Bronze



On/off air switch

PF2335	Polished Chrome
PF2336	Everbrass (PVD)
PF2337	Brushed Nickel
PF2338	Oil Rubbed Bronze



MADE IN USA




Models 6719

PRO-FIT® 3660

Oval Air Massage or Bathtub

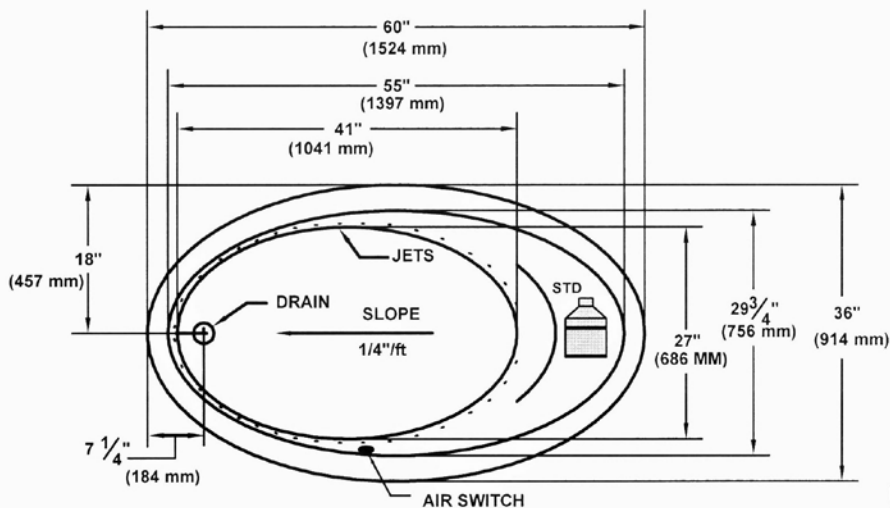


Specifications

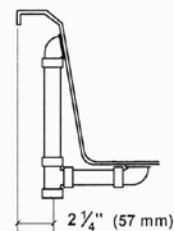
Model #	Description	Codes/Standards
6719	60" x 36" x 22" Oval Air Massage Bath	  

Specification	Description	Specification	Description
Material	Acrylic, fiberglass reinforced	Number of Jets	36
Construction	Self-contained, pre-plumbed air massage bath, mounted on a pre-leveled base	Water Capacity	55 gal. (max.) / 36 gal. (min.)
Blower Motor	120V, 60HZ, 6.0 Amp, Single Speed, 200 Watt Heater, Single Phase-Pre-mounted	Floor Loading Weight	47 lbs. / sq. ft. (229 kg/m ²)
Electrical Requirements	120V, 15 Amp, GFCI protected	Shipping Weight	140 lbs.
On/Off Control	Air Switch	Warranty	Limited One Year

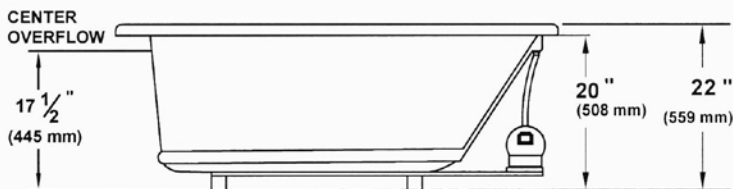
Technical Information



PLUMBING ROUGH-IN



Blower Location (Standard Only)
Required Blower Motor Access
20" W x 15" H



Optional Removable Apron not available on this unit.

Note: Measurements may vary 1/4" (+/-)

INSTALLER NOTE: DUE TO THE FREEFORM SHAPE OF THE TUB SHELL, IT IS RECOMMENDED THAT THE TUB BE ON THE JOB BEFORE MAKING THE FINAL CUT-OUT FOR DROP-IN INSTALLATION.

These dimensions are nominal and subject to change without notice.

When tested for compliance to the requirements of ASME A112.19.7M for "Whirlpool Bath Appliances" and ANSI Z124.1.2M "American National Standard for Plastic Bathtub and Shower Units", the tested units are found to comply and are acceptable for listing under IAPMO R & T.

Certified for permanent electrical connection only.



MADE IN USA