



**OPERATOR'S MANUAL
MANUEL de L'UTILISATEUR
MANUAL del OPERADOR**

**Cat. No.
No de cat.
5455
5460
5540**



**HEAVY-DUTY POLISHERS
POLISSEUSES EXTRA ROBUSTES
PULIDORAS EXTRA RESISTENTES**

*TO REDUCE THE RISK OF INJURY, USER MUST READ OPERATOR'S MANUAL.
AFIN DE RÉDUIRE LE RISQUE DE BLESSURES, L'UTILISATEUR DOIT LIRE LE
MANUEL DE L'UTILISATEUR.
PARA REDUCIR EL RIESGO DE LESIONES, EL USUARIO DEBE LEER EL MANUAL
DEL OPERADOR.*

GENERAL POWER TOOL SAFETY WARNINGS



WARNING

READ ALL SAFETY WARNINGS AND INSTRUCTIONS.

Failure to follow the warnings and instructions may result in electric shock, fire and/or serious injury.

Save all warnings and instructions for future reference

The term "power tool" in all of the warnings refers to your mains-operated (corded) power tool or battery-operated (cordless) power tool.

WORK AREA SAFETY

- **Keep work area clean and well lit.** Cluttered or dark areas invite accidents.
- **Do not operate power tools in explosive atmospheres, such as in the presence of flammable liquids, gases or dust.** Power tools create sparks which may ignite the dust or fumes.
- **Keep children and bystanders away while operating a power tool.** Distractions can cause you to lose control.

ELECTRICAL SAFETY

- **Power tool plugs must match the outlet.** Never modify the plug in any way. **Do not use any adapter plugs with earthed (grounded) power tools.** Unmodified plugs and matching outlets will reduce risk of electric shock.
- **Avoid body contact with earthed or grounded surfaces such as pipes, radiators, ranges and refrigerators.** There is an increased risk of electric shock if your body is earthed or grounded.
- **Do not expose power tools to rain or wet conditions.** Water entering a power tool will increase the risk of electric shock.
- **Do not abuse the cord.** Never use the cord for carrying, pulling or unplugging the power tool. **Keep cord away from heat, oil, sharp edges or moving parts.** Damaged or entangled cords increase the risk of electric shock.
- **When operating a power tool outdoors, use an extension cord suitable for outdoor use.** Use of a cord suitable for outdoor use reduces the risk of electric shock.
- **If operating a power tool in a damp location is unavoidable, use a residual current device (RCD) protected supply.** Use of an RCD reduces the risk of electric shock.

PERSONAL SAFETY

- **Stay alert, watch what you are doing and use common sense when operating a power tool. Do not use a power tool while you are tired or under the influence of drugs, alcohol or medication.** A moment of inattention while operating power tools may result in serious personal injury.
- **Use personal protective equipment. Always wear eye protection.** Protective equipment such as dust mask, non-skid safety shoes, hard hat, or hearing protection used for appropriate conditions will reduce personal injuries.
- **Prevent unintentional starting. Ensure the switch is in the off-position before connecting to power source and/or battery pack, picking up or carrying the tool.** Carrying power tools with your finger on the switch or plugging in power tools that have the switch on invites accidents.
- **Remove any adjusting key or wrench before turning the power tool on.** A wrench or a key left attached to a rotating part of the power tool may result in personal injury.
- **Do not overreach. Keep proper footing and balance at all times.** This enables better control of the power tool in unexpected situations.
- **Dress properly. Do not wear loose clothing or jewellery. Keep your hair, clothing and gloves away from moving parts.** Loose clothes, jewellery or long hair can be caught in moving parts.
- **If devices are provided for the connection of dust extraction and collection facilities, ensure these are connected and properly used.** Use of these devices can reduce dust-related hazards.

POWER TOOL USE AND CARE

- **Do not force the power tool. Use the correct power tool for your application.** The correct power tool will do the job better and safer at the rate for which it was designed.
- **Do not use the power tool if the switch does not turn it on and off.** Any power tool that cannot be controlled with the switch is dangerous and must be repaired.
- **Disconnect the plug from the power source and/or the battery pack from the power tool before making any adjustments, changing accessories, or storing power tools.** Such preventive safety measures reduce the risk of starting the power tool accidentally.
- **Store idle power tools out of the reach of children and do not allow persons unfamiliar with the power tool or these instructions to operate the power tool.** Power tools are dangerous in the hands of untrained users.
- **Maintain power tools. Check for misalignment or binding of moving parts, breakage of parts and any other condition that may affect the power tool operation. If damaged, have the power tool repaired before use.** Many accidents are caused by poorly maintained power tools.
- **Keep cutting tools sharp and clean.** Properly maintained cutting tools with sharp cutting edges are less likely to bind and are easier to control.
- **Use the power tool, accessories and tool bits etc., in accordance with these instructions, taking into account the working conditions and the work to be performed.** Use of the power tool for operations different from those intended could result in a hazardous situation.

SERVICE

- **Have your power tool serviced by a qualified repair person using only identical replacement parts.** This will ensure that the safety of the power tool is maintained.

SPECIFIC SAFETY RULES

Safety Warnings Common for Polishing Operations:

- **This power tool is intended to function as a polisher. Read all safety warnings, instructions, illustrations and specifications provided with this power tool.** Failure to follow all instructions listed below may result in electric shock, fire and/or serious injury.

- **Operations such as grinding, sanding, wire brushing or cutting-off are not recommended to be performed with this power tool.** Operations for which the power tool was not designed may create a hazard and cause personal injury.
- **Do not use accessories which are not specifically designed and recommended by the tool manufacturer.** Just because the accessory can be attached to your power tool, it does not assure safe operation.
- **The rated speed of the accessory must be at least equal to the maximum speed marked on the power tool.** Accessories running faster than their rated speed can break and fly apart.
- **The outside diameter and the thickness of your accessory must be within the capacity rating of your power tool.** Incorrectly sized accessories cannot be adequately guarded or controlled.
- **The arbour size of wheels, flanges, backing pads or any other accessory must properly fit the spindle of the power tool.** Accessories with arbour holes that do not match the mounting hardware of the power tool will run out of balance, vibrate excessively and may cause loss of control.
- **Do not use a damaged accessory. Before each use inspect the accessory such as abrasive wheels for chips and cracks, backing pad for cracks, tear or excess wear, wire brush for loose or cracked wires. If power tool or accessory is dropped, inspect for damage or install an undamaged accessory. After inspecting and installing an accessory, position yourself and bystanders away from the plane of the rotating accessory and run the power tool at maximum no-load speed for one minute.** Damaged accessories will normally break apart during this test time.
- **Wear personal protective equipment. Depending on application, use face shield, safety goggles or safety glasses. As appropriate, wear dust mask, hearing protectors, gloves and work shop apron capable of stopping small abrasive or workpiece fragments. The eye protection must be capable of stopping flying debris generated by various operations.** The dust mask or respirator must be capable of filtering particles generated by your operation. Prolonged exposure to high intensity noise may cause hearing loss.
- **Keep bystanders a safe distance away from work area. Anyone entering the work area must wear personal protec-**

tive equipment. Fragments of workpiece or of a broken accessory may fly away and cause injury beyond immediate area of operation.

- **Hold power tool by insulated gripping surfaces only, when performing an operation where the cutting accessory may contact hidden wiring or its own cord.** Cutting accessory contacting a live wire may make exposed metal parts of the power tool live and shock the operator.
- **Position the cord clear of the spinning accessory.** If you lose control, the cord may be cut or snagged and your hand or arm may be pulled into the spinning accessory.
- **Never lay the power tool down until the accessory has come to a complete stop.** The spinning accessory may grab the surface and pull the power tool out of your control.
- **Do not run the power tool while carrying it at your side.** Accidental contact with the spinning accessory could snag your clothing, pulling the accessory into your body.
- **Regularly clean the power tool's air vents.** The motor's fan will draw the dust inside the housing and excessive accumulation of powdered metal may cause electrical hazards.
- **Do not operate the power tool near flammable materials.** Sparks could ignite these materials.
- **Do not use accessories that require liquid coolants.** Using water or other liquid coolants may result in electrocution or shock.

Kickback and Related Warnings

Kickback is a sudden reaction to a pinched or snagged rotating wheel, backing pad, brush or any other accessory. Pinching or snagging causes rapid stalling of the rotating accessory which in turn causes the uncontrolled power tool to be forced in the direction opposite of the accessory's rotation at the point of the binding.

For example, if an abrasive wheel is snagged or pinched by the workpiece, the edge of the wheel that is entering into the pinch point can dig into the surface of the material causing the wheel to climb out or kick out. The wheel may either jump toward or away from the operator, depending on direction of the wheel's movement at the point of pinching. Abrasive wheels may also break under these conditions.

Kickback is the result of power tool misuse and/or incorrect operating procedures or conditions and can be avoided by taking proper precautions as given below.

- **Maintain a firm grip on the power tool and position your body and arm to allow you to resist kickback forces. Always use auxiliary handle, if provided, for maximum control over kickback or torque reaction during start-up.** The operator can control torque reactions or kickback forces, if proper precautions are taken.
- **Never place your hand near the rotating accessory.** Accessory may kick back over your hand.
- **Do not position your body in the area where power tool will move if kickback occurs.** Kickback will propel the tool in direction opposite to the wheel's movement at the point of snagging.
- **Use special care when working corners, sharp edges etc. Avoid bouncing and snagging the accessory.** Corners, sharp edges or bouncing have a tendency to snag the rotating accessory and cause loss of control or kickback.
- **Do not attach a saw chain woodcarving blade or toothed saw blade.** Such blades create frequent kickback and loss of control.

Safety Warnings Specific for Polishing Operations:

- **Do not allow any loose portion of the polishing bonnet or its attachment strings to spin freely. Tuck away or trim any loose attachment strings.** Loose and spinning attachment strings can entangle your fingers or snag on the workpiece.

Additional Safety Warnings

- **Maintain labels and nameplates.** These carry important information. If unreadable or missing, contact a MILWAUKEE service facility for a free replacement.
- **WARNING:** Some dust created by power sanding, sawing, grinding, drilling, and other construction activities contains chemicals known to cause cancer, birth defects or other reproductive harm. Some examples of these chemicals are:
 - lead from lead-based paint
 - crystalline silica from bricks and cement and other masonry products, and
 - arsenic and chromium from chemically-treated lumber.

Your risk from these exposures varies, depending on how often you do this type of work. To reduce your exposure to these chemicals: work in a well ventilated area, and work with approved safety equipment, such as those dust masks that are specially designed to filter out microscopic particles.

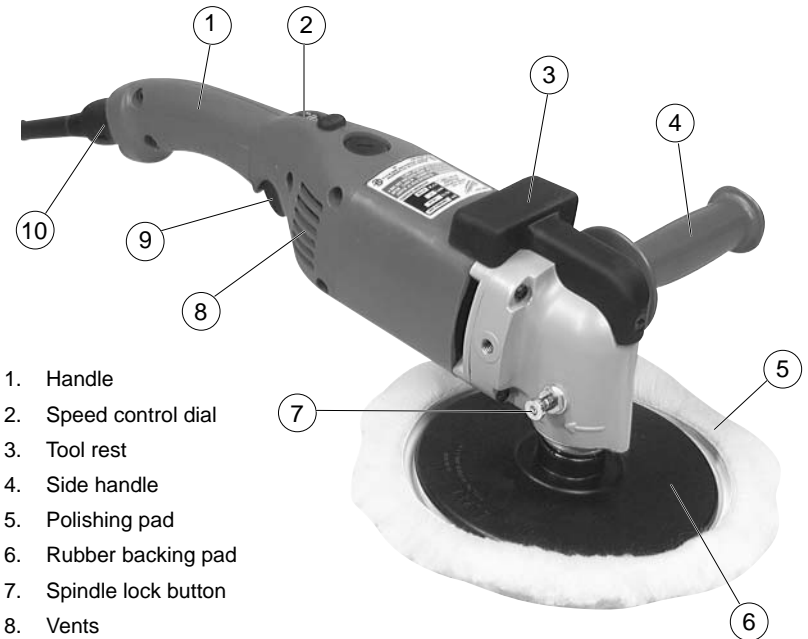
Symbology

	Double Insulated		Volts Alternating Current/ Direct Current
	Underwriters Laboratories, Inc., United States and Canada		Volts Alternating Current
	Amps	$n_{o}xxxx/min.$	No Load Revolutions per Minute (RPM)

Specifications

Cat. No.	Volts	No Load RPM	Pad Diameter	Spindle Size
5455	120 AC/DC	1750	7"/9"	5/8"-11
5460	120 AC	0 - 1750	7"/9"	5/8"-11
5540	120 AC	0 - 2800	7"	5/8"-11

FUNCTIONAL DESCRIPTION



1. Handle
2. Speed control dial
3. Tool rest
4. Side handle
5. Polishing pad
6. Rubber backing pad
7. Spindle lock button
8. Vents
9. Trigger
10. Cord

GROUNDING



WARNING

Improperly connecting the grounding wire can result in the risk of electric shock. Check with a qualified electrician if you are in doubt as to whether the outlet is properly grounded. Do not modify the plug provided with the tool. Never remove the grounding prong from the plug. Do not use the tool if the cord or plug is damaged. If damaged, have it repaired by a MILWAUKEE service facility before use. If the plug will not fit the outlet, have a proper outlet installed by a qualified electrician.

Grounded Tools:

Tools with Three Prong Plugs

Tools marked "Grounding Required" have a three wire cord and three prong grounding plug. The plug must be connected to a properly grounded outlet (See Figure A). If the tool should electrically malfunction or break down, grounding provides a low resistance path to carry electricity away from the user, reducing the risk of electric shock.

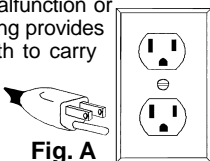


Fig. A

The grounding prong in the plug is connected through the green wire inside the cord to the grounding system in the tool. The green wire in the cord must be the only wire connected to the tool's grounding system and must never be attached to an electrically "live" terminal.

Your tool must be plugged into an appropriate outlet, properly installed and grounded in accordance with all codes and ordinances. The plug and outlet should look like those in Figure A.

Double Insulated Tools:

Tools with Two Prong Plugs

Tools marked "Double Insulated" do not require grounding. They have a special double insulation system which satisfies OSHA requirements and complies with the applicable standards of Underwriters Laboratories, Inc., the Canadian Standard Association and the National Electrical Code. Double Insulated tools may be used in either of the 120 volt outlets shown in Figures B and C.

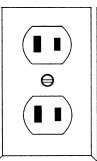


Fig. B

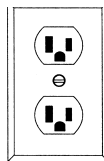


Fig. C

EXTENSION CORDS

Grounded tools require a three wire extension cord. Double insulated tools can use either a two or three wire extension cord. As the distance from the supply outlet increases, you must use a heavier gauge extension cord. Using extension cords with inadequately sized wire causes a serious drop in voltage, resulting in loss of power and possible tool damage. Refer to the table shown to determine the required minimum wire size.

The smaller the gauge number of the wire, the greater the capacity of the cord. For example, a 14 gauge cord can carry a higher current than a 16 gauge cord. When using more than one extension cord to make up the total length, be sure each cord contains at least the minimum wire size required. If you are using one extension cord for more than one tool, add the nameplate amperes and use the sum to determine the required minimum wire size.

Guidelines for Using Extension Cords

- If you are using an extension cord outdoors, be sure it is marked with the suffix "W-A" ("W" in Canada) to indicate that it is acceptable for outdoor use.
- Be sure your extension cord is properly wired and in good electrical condition. Always replace a damaged extension cord or have it repaired by a qualified person before using it.
- Protect your extension cords from sharp objects, excessive heat and damp or wet areas.

Recommended Minimum Wire Gauge for Extension Cords*

Nameplate Amperes	Extension Cord Length				
	25'	50'	75'	100'	150'
0 - 2.0	18	18	18	18	16
2.1 - 3.4	18	18	18	16	14
3.5 - 5.0	18	18	16	14	12
5.1 - 7.0	18	16	14	12	12
7.1 - 12.0	16	14	12	10	
12.1 - 16.0	14	12	10		
16.1 - 20.0	12	10			

* Based on limiting the line voltage drop to five volts at 150% of the rated amperes.

READ AND SAVE ALL INSTRUCTIONS FOR FUTURE USE.

TOOL ASSEMBLY

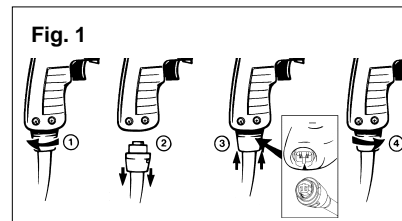


WARNING

To reduce the risk of injury, always unplug tool before attaching or removing accessories or making adjustments. Use only specifically recommended accessories. Others may be hazardous.

Removing and Replacing Quik-Lok® Cords

MILWAUKEE's exclusive Quik-Lok® Cords provide instant field replacement or substitution.



1. To remove the Quik-Lok® Cord, turn the cord nut 1/4 turn to the left and pull it out.
2. To replace the Quik-Lok® Cord, align the connector keyways and push the connector in as far as it will go. Turn the cord nut 1/4 turn to the right to lock.

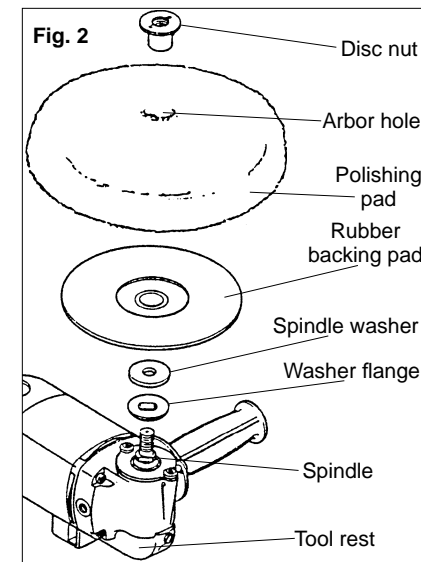
Polishing Pads

MILWAUKEE polishing pads are available in two different materials. 100% lambswool pads are ideal for compounding on non-clearcoat finishes. Wool/polyester blend pads are softer, making them acceptable for clearcoat finishes.

1. To **install** polishing pads, unplug the tool and place it on its tool rest with the spindle upright.
2. Make sure the washer flange and spindle washer are installed on spindle. Then, slide the disc nut through the arbor hole in both the polishing pad and the rubber backing pad, making sure to spread the fibers in the pad so the disc nut seats on pad backing.
3. Push in the spindle lock button (located

on left side of gear case) and simultaneously screw the disc nut & polishing pad assembly clockwise onto the spindle. Securely hand-tighten the disc nut and polishing pad.

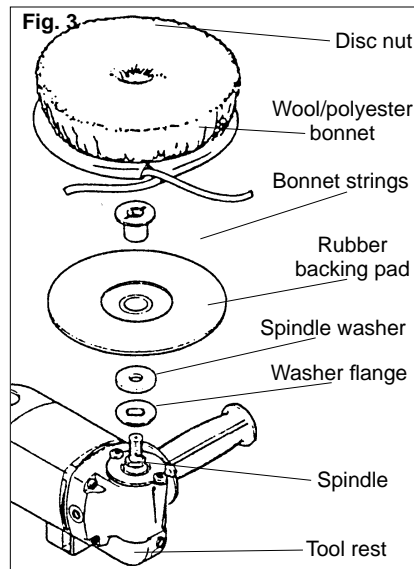
4. To **remove** the polishing pad, push in the spindle lock button and turn the disc nut counterclockwise to unscrew the assembly.



Wool/Polyester Bonnets

1. To **install** wool/polyester bonnets, unplug the tool and place it on a tool rest with the spindle upright.
2. Make sure the washer flange and spindle washer are installed on spindle. Then, slide the rubber backing pad onto the spindle.
3. Push in the spindle lock button and screw the disc nut onto the spindle clockwise. Securely hand-tighten the disc nut.

- Cover the rubber backing pad with the bonnet. Securely tie bonnet strings and tuck the strings into the bonnet so they do not interfere with polishing.
- To **remove**, untie and remove the bonnet. Push in the spindle lock button and turn the disc nut and rubber backing pad counterclockwise.



Hook and Loop Pads

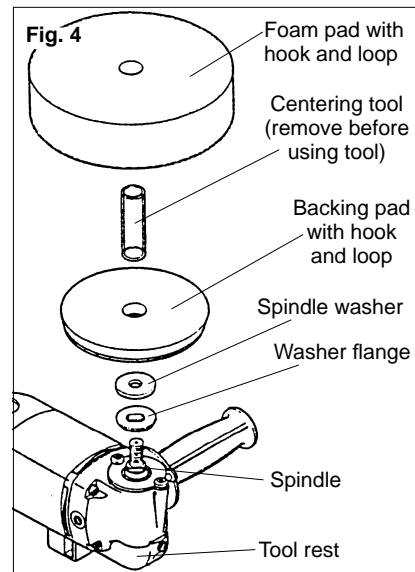
Hook & loop pads are available in both wool/polyester and foam. Foam pads should be used on slower/low speed dial settings when using polisher Cat. Nos. 5540 and 5460. Foam pads are not recommended for the inexperienced operator.

Foam pad Cat. No. 49-36-1550 is ideal for use with clearcoat finishes and micro-fine rubbing compounds. It will remove light surface scratches, environmental pollutants, wet-sanding scratches and hazy paint.

Foam pad Cat. No. 49-36-0650 is ideal for glazing and finishing on clearcoat finishes. It will remove buffing swirls, hard water spots, carwash brush swirls and mild hazing. A centering tool, Cat. No. 49-67-0130, is supplied with hook and loop backing pads, Cat. No. 49-36-2150, to properly align the backing pad with the polishing pad, providing the proper balance for your polisher.

- To **install** hook and loop pads, unplug the tool and place it on tool rest with spindle upright.
- Make sure washer flange and spindle washer are installed on spindle. Then slide hook and loop backing pad onto spindle.
- Push in the spindle lock button and spin the backing pad clockwise until it is securely hand-tightened.
- Insert the centering tool (supplied with the backing pad) into the center hole in the hook and loop backing pad. Push desired hook and loop polishing pad over the centering tool so that the polishing pad fastens to the hook and loop backing pad. **Remove centering tool.**
- To **remove**, "peel" off the polishing pad. Push in the spindle lock button and rotate backing pad counterclockwise to remove.

NOTE: Use side handles for better control and safety.



OPERATION



WARNING

To reduce the risk of injury, wear safety goggles or glasses with side shields. Unplug the tool before changing accessories or making adjustments.

Starting, Stopping and Controlling Speed

Cat. No. 5455: To start the tool, pull the trigger. To stop the tool, release the trigger.

Cat. Nos. 5540 & 5460 feature a dial speed control, which controls the polisher's maximum rotations per minute. The speed will remain variable to the chosen dial setting by use of the trigger switch. Dial settings range from 1 through 5. Lower numbers correspond to lower speeds and higher numbers correspond to higher speeds. Generally, lower speeds are recommended for tight work areas and higher speeds are ideal for large surface areas. Use the setting that best suits your job.

To control the speed, set the dial to the desired number. Then pull the trigger. Increase or decrease pressure on the trigger to vary the speed. To stop the tool, release the trigger.



WARNING

To reduce the risk of injury, keep the cord set away from the path of the polisher. Otherwise the cord set may become caught by the pad and wrap around the spindle; this may cut through the cord and expose live wires or make the gear box electrically "live."

Polishing

Always use side handle for proper control. Move the polisher back and forth in long, sweeping strokes. Too much pressure, the wrong angle or improper motion may cause swirl marks or burning.

For detailed polishing instructions, read the instructions provided with your finishes, waxes and polishes.

Preventing Burning Through Paint

It is easy to burn through the paint on a surface. This can occur if you polish at too high a speed or if you allow the polishing pad to stay in one spot for even a short period of time. To prevent burning through paint, use very light pressure and keep the polisher moving constantly, especially when working near edges or where there are abrupt changes in the contour of the work surface.

Be particularly careful when using Cat. No. 5540, which are high RPM polishers and are more likely to burn through paint.



WARNING

To reduce the risk of injury, follow instructions for preventing snagging. Snagging may cause the tool to kick back and the operator to suddenly lose control of the tool. Always use side handle to maintain control.

Preventing Snagging

Snagging occurs when polishing pads get caught on rough edges of a work surface. Snagging can cause the tool to suddenly "kick back" and it may cause the pad to burn through the paint. To reduce the risk of snagging, use the polisher at low speeds when polishing rough surfaces. For tricky areas such as near trim or between a mirror and window on a car, do not take chances with a polisher. Polish these surfaces by hand.

When using Cat. Nos. 5460 and 5540 with the trigger speed control, release the trigger slightly so the rotation of the pad is slowed.

To prevent snagging while using Cat. No. 5455 without trigger speed control, it is best to use the "coast-down" technique to avoid snagging. To coast-down, turn the motor ON for a few seconds, then turn it OFF and apply the polishing pad to the surface. This way, when the pad touches the work surface, it will be rotating more slowly than it is when the motor is ON. Use coast-down when working in areas where crevices or pockets are present.

MAINTENANCE



WARNING

To reduce the risk of injury, always unplug your tool before performing any maintenance. Never disassemble the tool or try to do any rewiring on the tool's electrical system. Contact a MILWAUKEE service facility for ALL repairs.

Maintaining Tools

Keep your tool in good repair by adopting a regular maintenance program. Before use, examine the general condition of your tool. Inspect guards, switches, tool cord set and extension cord for damage. Check for loose screws, misalignment, binding of moving parts, improper mounting, broken parts and any other condition that may affect its safe operation. If abnormal noise or vibration occurs, turn the tool off immediately and have the problem corrected before further use. Do not use a damaged tool. Tag damaged tools "DO NOT USE" until repaired (see "Repairs").

Under normal conditions, relubrication is not necessary until the motor brushes need to be replaced. After six months to one year, depending on use, return your tool to the nearest MILWAUKEE service facility for the following:

- Lubrication
- Brush inspection and replacement
- Mechanical inspection and cleaning (gears, spindles, bearings, housing, etc.)
- Electrical inspection (switch, cord, armature, etc.)
- Testing to assure proper mechanical and electrical operation



WARNING

To reduce the risk of injury, electric shock and damage to the tool, never immerse your tool in liquid or allow a liquid to flow inside the tool.

Cleaning

Clean dust and debris from vents. Keep the tool handles clean, dry and free of oil or grease. Use only mild soap and a damp cloth to clean your tool since certain cleaning agents and solvents are harmful to plastics and other insulated parts. Some of these include: gasoline, turpentine, lacquer thinner, paint thinner, chlorinated cleaning solvents, ammonia and household detergents containing ammonia. Never use flammable or combustible solvents around tools.

Repairs

If your tool is damaged, return the entire tool to the nearest service center.

ACCESSORIES



WARNING

To reduce the risk of injury, always unplug the tool before attaching or removing accessories. Use only specifically recommended accessories. Others may be hazardous.

For a complete listing of accessories refer to your MILWAUKEE Electric Tool catalog or go on-line to www.milwaukeeetool.com. To obtain a catalog, contact your local distributor or a service center.

FIVE YEAR TOOL LIMITED WARRANTY

Every MILWAUKEE electric power tool (including battery charger) is warranted to the original purchaser only to be free from defects in material and workmanship. Subject to certain exceptions, MILWAUKEE will repair or replace any part on a electric power tool which, after examination, is determined by MILWAUKEE to be defective in material or workmanship for a period of five (5) years* after the date of purchase. Return the electric power tool and a copy of proof of purchase to a MILWAUKEE factory Service/Sales Support Branch location or MILWAUKEE Authorized Service Station, freight prepaid and insured, are requested for this warranty to be effective. This warranty does not apply to damage that MILWAUKEE determines to be from repairs made or attempted by anyone other than MILWAUKEE authorized personnel, misuse, alterations, abuse, normal wear and tear, lack of maintenance, or accidents.

* The warranty period for Hoists (lever, hand chain, & electric chain hoists), all Ni-CD battery packs, Work Lights (cordless flashlights), Job Site Radios, and Trade Titan™ Industrial Work Carts is one (1) year from the date of purchase. *The warranty period for Li-Ion battery packs that do not contain V™-technology – 4.0 volts through 18.0 volts - is two (2) years from the date of purchase.

*There is a separate warranty for V™-technology Li-Ion Battery Packs V™18 volts and above that accompany V™-technology cordless power tools:

*Every MILWAUKEE V™-technology Li-Ion Battery Pack 18 volts or above is covered by an initial 1000 Charges/2 Years free replacement warranty. This means that for the earlier of the first 1000 charges or two (2) years from the date of purchase/first charge, a replacement battery will be provided to the customer for any defective battery free of charge. Thereafter, customers will also receive an additional warranty on a pro rata basis up to the earlier of the first 2000 charges or five (5) Years from the date of purchase/first charge. This means that every customer gets an additional 1000 charges or three (3) years of pro rata warranty on the V™-technology Li-Ion Battery Pack 18 volts or above depending upon the amount of use. During this additional warranty period, the customer pays for only the useable service received over and above the first 1000 Charges/2 years, based on the date of first charge and number of charges found on the battery pack via Milwaukee's V™-technology Service Reader.

Warranty Registration is not necessary to obtain the applicable warranty on a MILWAUKEE product. However, proof of purchase in the form of a sales receipt or other information deemed sufficient by MILWAUKEE, is requested. The manufacturing date of the product will be used to determine the warranty period if no proof of purchase is provided at the time warranty service is requested.

ACCEPTANCE OF THE EXCLUSIVE REPAIR AND REPLACEMENT REMEDIES DESCRIBED HEREIN IS A CONDITION OF THE CONTRACT FOR THE PURCHASE OF EVERY MILWAUKEE PRODUCT. IF YOU DO NOT AGREE TO THIS CONDITION, YOU SHOULD NOT PURCHASE THE PRODUCT. IN NO EVENT SHALL MILWAUKEE BE LIABLE FOR ANY INCIDENTAL, SPECIAL, CONSEQUENTIAL OR PUNITIVE DAMAGES, OR FOR ANY COSTS, ATTORNEY FEES, EXPENSES, LOSSES OR DELAYS ALLEGED TO BE AS A CONSEQUENCE OF ANY DAMAGE TO, FAILURE OF, OR DEFECT IN ANY PRODUCT INCLUDING, BUT NOT LIMITED TO, ANY CLAIMS FOR LOSS OF PROFITS. THIS WARRANTY IS EXCLUSIVE AND IN LIEU OF ALL OTHER WARRANTIES OR CONDITIONS, WRITTEN OR ORAL, EXPRESSED OR IMPLIED. WITHOUT LIMITING THE GENERALITY OF THE FOREGOING, MILWAUKEE DISCLAIMS ANY IMPLIED WARRANTY OF MERCHANTABILITY OR FITNESS FOR A PARTICULAR USE OR PURPOSE, AND ALL OTHER WARRANTIES.

This warranty applies to product sold in the U.S.A., Canada and Mexico only.

RÈGLES DE SÉCURITÉ GÉNÉRALES RELATIVES AUX OUTILS ÉLECTRIQUES



AVERTISSEMENT

LIRE TOUTES LES RÈGLES ET INSTRUCTIONS DE SÉCURITÉ.

Ne pas suivre l'ensemble des règles et instructions peut entraîner une électrocution, un incendie ou des blessures graves.

Conserver les règles et les instructions à des fins de référence ultérieure.

Le terme «outil électrique» figurant dans les avertissements ci-dessous renvoie à l'outil électrique à alimentation par le réseau (à cordon) ou par batterie (sans fil).

SÉCURITÉ DU LIEU DE TRAVAIL

- **Maintenir la zone de travail propre et bien éclairée.** Les zones encombrées ou mal éclairées sont favorables aux accidents.
- **Ne pas utiliser d'outil électrique dans une atmosphère explosive, telle qu'en présence de liquides, de gaz ou de poussières inflammables.** Les outils électriques génèrent des étincelles qui peuvent enflammer les poussières ou les fumées.
- **Tenir les enfants et les personnes non autorisées à l'écart pendant le fonctionnement d'un outil électrique.** Un manque d'attention de l'opérateur risque de lui faire perdre le contrôle de l'outil.

SÉCURITÉ ÉLECTRIQUE

- **La fiche de l'outil électrique doit correspondre à la prise d'alimentation. Ne jamais modifier la fiche d'une manière quelconque. Ne pas utiliser d'adaptateur avec les outils électriques mis à la terre (à la masse).** Des fiches non modifiées et des prises d'alimentation assorties réduisent le risque de choc électrique.
- **Éviter tout contact corporel avec des surfaces reliées à la masse ou à la terre telles que tuyaux, radiateurs, cuisinières et réfrigérateurs.** Un risque de choc électrique plus élevé existe si le corps est relié à la masse ou à la terre.
- **Ne pas exposer les outils électriques à la pluie ou à l'humidité.** Le risque de choc électrique augmente si de l'eau s'infiltre dans un outil électrique.
- **Prendre soin du cordon. Ne jamais utiliser le cordon pour transporter, tirer**

ou débrancher l'outil électrique. Tenir le cordon à l'écart de la chaleur, des huiles, des arêtes coupantes ou des pièces en mouvement. Un cordon endommagé ou emmêlé présente un risque accru de choc électrique.

- **Se procurer un cordon d'alimentation approprié en cas d'utilisation d'un outil électrique à l'extérieur.** L'utilisation d'un cordon d'alimentation pour usage extérieur réduit le risque de choc électrique.
- **S'il est nécessaire d'utiliser l'outil électrique dans un endroit humide, installer un appareil à courant résiduel (RCD).** L'utilisation d'un RCD réduit le risque de décharge électrique.

SÉCURITÉ INDIVIDUELLE

- **Être sur ses gardes, être attentif et faire preuve de bon sens en utilisant un outil électrique. Ne pas utiliser un outil électrique en cas de fatigue ou sous l'influence de drogues, d'alcool ou de médicaments.** Un instant d'inattention lors de l'utilisation d'un outil électrique peut entraîner des blessures graves.
- **Porter l'équipement de protection requis. Toujours porter une protection oculaire.** Selon les conditions, porter aussi un masque anti-poussières, des bottes de sécurité antidérapantes, un casque protecteur ou une protection auditive afin de réduire les blessures.
- **Empêcher les démarrages accidentels. S'assurer que la gâchette est en position d'arrêt avant de brancher l'outil à une source de courant, d'insérer la batterie, de le ramasser ou de le transporter.** Le fait de transporter l'outil en gardant le doigt sur la gâchette ou de le brancher lorsque la gâchette est en position de marche favorise les accidents.

- **Retirer toute clé de réglage avant de mettre l'outil sous tension.** Une clé laissée attachée sur une pièce mobile de l'outil électrique peut entraîner des blessures.
- **Ne pas travailler à bout de bras. Bien garder un bon équilibre à tout instant.** Ceci permet de mieux préserver la maîtrise de l'outil électrique dans des situations imprévues.
- **Porter des vêtements adéquats. Ne pas porter de vêtements amples ni de bijoux. Ne pas approcher les cheveux, vêtements et gants des pièces en mouvement.** Les vêtements amples, les bijoux ou les cheveux longs risquent d'être happés par les pièces en mouvement.
- **Si des dispositifs sont prévus pour l'extraction et la récupération des poussières, vérifier qu'ils sont connectés et utilisés correctement.** L'utilisation de ces dispositifs peut réduire les risques liés aux poussières.

UTILISATION ET ENTRETIEN DE L'OUTIL ÉLECTRIQUE

- **Ne pas forcer l'outil électrique. Utiliser l'outil électrique approprié à l'application considérée.** L'outil électrique adapté au projet considéré produira de meilleurs résultats, dans des conditions de sécurité meilleures, à la vitesse pour laquelle il a été conçu.
- **Ne pas utiliser l'outil électrique si le commutateur ne le met pas sous ou hors tension.** Tout outil électrique dont le commutateur de marche-arrêt est inopérant est dangereux et doit être réparé.
- **Débrancher la fiche de la prise d'alimentation et/ou la batterie de l'outil électrique avant d'effectuer des réglages, de changer d'accessoires ou de ranger l'outil.** De telles mesures de sécurité préventive réduisent le risque de mettre l'outil en marche accidentelle-ment.
- **Ranger les outils électriques inutilisés hors de la portée des enfants et ne pas laisser des personnes qui connaissent mal les outils électriques ou ces instructions utiliser ces outils.** Les outils électriques sont dangereux dans les mains d'utilisateurs non formés à leur usage.
- **Entretien des outils électriques. S'assurer de l'absence de tout désalignement ou de grippage des pièces mobiles, de toute rupture de pièce ou de toute autre condition qui pourrait affecter le bon fonctionnement de l'outil**

électrique. En cas de dommages, faire réparer l'outil avant de l'utiliser de nouveau. Les outils électriques mal entretenus sont à la source de nombreux accidents.

- **Garder les outils de coupe affûtés et propres.** Les outils de coupe correctement entretenus et bien affûtés risquent moins de se gripper et sont plus faciles à manier.
- **Utiliser l'outil électrique, les accessoires, les grains etc. conformément à ces instructions en tenant compte des conditions de travail et de la tâche à effectuer.** L'utilisation de cet outil électrique pour effectuer une opération pour laquelle il n'est pas conçu peut occasionner une situation dangereuse.

ENTRETIEN

- **Faire effectuer l'entretien de l'outil électrique par un technicien qualifié qui n'utilisera que des pièces de rechange identiques.** La sécurité d'utilisation de l'outil en sera préservée.

RÈGLES DE SÉCURITÉ SPÉCIFIQUES

Règles de sécurité générales pour le polissage :

- **Cet outil électrique est conçu pour servir de polissage. Lire tous les avertissements et toutes les instructions, les illustrations et les caractéristiques fournis avec cet outil électrique.** Ne pas suivre l'ensemble des instructions décrites ci-dessous peut entraîner une électrocution, un incendie ou des blessures graves.
- **Il n'est pas recommandé d'utiliser cet outil électrique pour servir de meuleuse, de ponceuse, de brosse métallique ou d'outil de coupe.** Le fait d'utiliser l'outil pour effectuer des tâches pour lesquelles il n'est pas conçu peut présenter un risque et entraîner des blessures.
- **Ne pas utiliser des accessoires qui ne sont pas spécialement conçus pour le modèle d'outil ou qui ne sont pas recommandés par le fabricant.** Le simple fait qu'un accessoire peut s'ajuster sur l'outil électrique ne signifie pas qu'il peut être utilisé en toute sécurité.
- **La vitesse nominale de l'accessoire doit au moins être égale à la vitesse maximale indiquée sur l'outil électrique.** Les accessoires qui sont utilisés à une vitesse supérieure à leur vitesse nominale peuvent se briser et se détacher.

- **Le diamètre extérieur et l'épaisseur de l'accessoire doivent être conformes à la capacité de l'outil électrique.** Il est impossible de protéger ou de contrôler adéquatement un accessoire de dimension inappropriée.
- **La taille de l'arbre des meules, des brides, des plateaux porte-disque ou de tout autre accessoire doit convenir parfaitement à la broche de l'outil électrique.** Si les accessoires utilisés sont dotés d'alésages centraux qui ne conviennent pas à la pièce de montage de l'outil, ils se déstabiliseront, vibreront de façon excessive et pourront causer une perte de contrôle.
- **Ne pas utiliser un accessoire endommagé. Inspecter l'accessoire avant chaque utilisation afin de s'assurer que les meules, par exemple, sont exemptes d'ébréchures et de fissures, que le plateau porte-disque est exempt de fissures et qu'il n'est pas usé de façon excessive, et que la brosse métallique ne comprend pas de fils détachés ou craquelés. Si l'outil électrique ou l'accessoire est échappé, s'assurer qu'il n'est pas endommagé ou installer un autre accessoire. Après avoir effectué cette opération, se tenir à distance de l'accessoire en rotation et faire fonctionner l'outil à sa vitesse à vide maximale pendant une minute. S'assurer que personne ne se tient à proximité de l'outil.** Les accessoires endommagés se brisent généralement lors de cette vérification.
- **Porter de l'équipement de protection de qualité professionnelle. Selon le type d'opération, porter un masque de protection ou des lunettes de sécurité. Au besoin, porter également un masque anti-poussières, un protecteur d'oreille, des gants et un tablier d'atelier résistant aux petits fragments abrasifs ou aux fragments provenant des pièces à travailler.** La protection oculaire utilisée doit résister aux débris projetés lors des différentes opérations. Le masque anti-poussières et le masque filtrant doivent filtrer les particules produites lors de l'opération. Une exposition prolongée à un bruit fort peut entraîner une perte auditive.
- **S'assurer que personne ne se tient à proximité du lieu de travail. Toute personne qui entre sur le lieu de travail doit porter l'équipement de protection requis.** Des fragments provenant de la pièce à travailler ou d'un accessoire brisé

peuvent être projetés et causer des blessures, même à des personnes se tenant à une certaine distance du lieu de travail immédiat.

- **Tenir l'outil par ses surfaces de préhension isolées lors des opérations pendant lesquelles l'accessoire de coupe peut entrer en contact avec du câblage caché ou avec son propre cordon d'alimentation.** Le contact avec un fil sous tension « électrifié » les pièces métalliques exposées de l'outil et peut électrocuter l'utilisateur.
- **Tenir le cordon loin de l'accessoire en rotation.** En cas de perte de contrôle, le cordon peut être coupé ou accroché, et la main ou le bras de l'utilisateur risquent d'entrer en contact avec l'accessoire en rotation.
- **Ne jamais déposer l'outil électrique avant l'arrêt complet de l'accessoire.** L'accessoire en rotation peut accrocher la surface et occasionner une perte de contrôle.
- **Ne jamais laisser l'outil électrique fonctionner en le transportant à ses côtés.** L'accessoire en rotation peut s'accrocher accidentellement aux vêtements et entrer en contact avec l'utilisateur.
- **Nettoyer régulièrement les événements d'aération de l'outil électrique.** Le ventilateur du moteur aspire la poussière dans le logement et crée une accumulation excessive de métal fritté, ce qui peut causer un risque électrique.
- **Ne pas faire fonctionner l'outil électrique à proximité de matériaux inflammables.** Les étincelles peuvent enflammer ces matériaux.
- **Ne pas utiliser d'accessoires qui nécessitent des liquide de refroidissement.** L'utilisation d'eau ou d'un autre liquide de refroidissement peut entraîner une électrocution ou un choc électrique.

REBONDS ET AVERTISSEMENTS CONNEXES

Un rebond est une réaction soudaine attribuable au pincement ou à l'accrochage de la meule, du plateau porte-disque, de la brosse ou de tout autre accessoire en rotation. Un pincement ou un accrochage provoque le blocage immédiat de l'accessoire en rotation qui, à son tour, entraîne l'outil incontrôlé dans le sens opposé à la rotation de l'accessoire, à l'endroit du coincement.

Par exemple, si une meule abrasive est accrochée ou pincée par la pièce à travailler, le rebord de la meule qui entre dans le point de pincement peut s'enfoncer dans la surface du matériau, éjectant la meule de la pièce à travailler ou la faisant rebondir, vers l'utilisateur ou loin de lui, selon le sens du mouvement de la meule au point de pincement. Dans ces conditions d'utilisation, les meules abrasives peuvent également se briser.

Un rebond est attribuable à une mauvaise utilisation de l'outil ou au non-respect des procédures ou des conditions d'utilisation. Pour empêcher les rebonds, respecter les directives décrites ci-dessous.

- **Tenir fermement l'outil électrique et placer le corps et les mains de manière à pouvoir résister aux rebonds. Toujours utiliser la poignée auxiliaire, s'il y en a une, pour assurer un contrôle optimal en cas de rebond ou de réaction de couple lors du démarrage de l'outil.** L'utilisateur peut contrôler les rebonds et les réactions de couple s'il respecte les directives prescrites.
- **Ne jamais placer les mains à proximité de l'accessoire en rotation.** En cas de rebond, l'accessoire peut dévier sur celles-ci.
- **Ne pas positionner le corps à l'endroit où sera entraîné l'outil électrique si un rebond se produit.** Un rebond entraînera l'outil dans le sens opposé au mouvement de la meule, à l'endroit de l'accrochage.
- **Faire preuve d'une extrême prudence au moment d'utiliser l'outil sur des coins ou des rebords tranchants.** Les coins, les rebords tranchants et les surfaces rebondissantes ont tendance à s'accrocher à la pièce en rotation et à causer une perte de contrôle ou des rebonds.
- **Ne pas fixer une lame de sculpteur pour scie à chaîne ou une lame de scie dentée.** Ces deux types de lame occasionnent de nombreux rebonds et des pertes de contrôle fréquentes.

Règles de sécurité particulières pour Polissage :

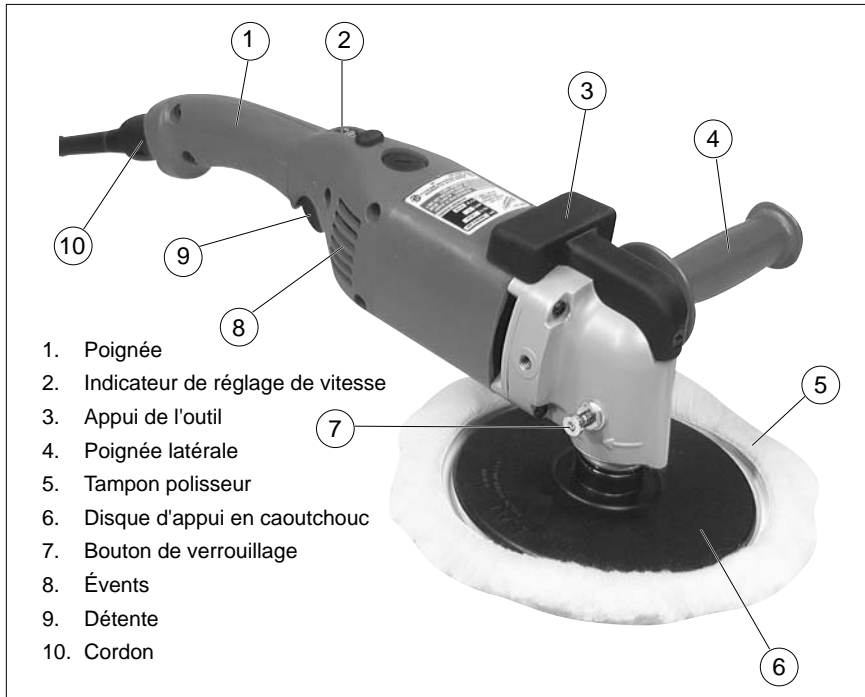
- **Ne permettre à aucune partie desserrée de la coiffe à polir ou de ses filaments de tourner librement. Mettre à l'écart ou couper tous les filaments libres.** Les filaments libres et en rotation peuvent enchevêtrer les doigts ou s'accrocher à la pièce à travailler.

Règles de sécurité supplémentaires

- **Maintenir en l'état les étiquettes et les plaques d'identification.** Des informations importantes y figurent. Si elles sont illisibles ou manquantes, contacter un centre de services et d'entretien **MILWAUKEE** pour un remplacement gratuit.
- **AVERTISSEMENT :** Certaines poussières générées par les activités de ponçage, de coupe, de rectification, de perçage et d'autres activités de construction contiennent des substances considérées être la cause de malformations congénitales et de troubles de l'appareil reproducteur. Parmi ces substances figurent :
 - le plomb contenu dans les peintures à base de plomb ;
 - la silice cristalline des briques, du ciment et d'autres matériaux de maçonnerie, ainsi que
 - l'arsenic et le chrome des sciages traités chimiquement.

Les risques encourus par l'opérateur envers ces expositions varient en fonction de la fréquence de ce type de travail. Pour réduire l'exposition à ces substances chimiques, l'opérateur doit : travailler dans une zone bien ventilée et porter l'équipement de sécurité approprié, tel qu'un masque anti-poussière spécialement conçu pour filtrer les particules microscopiques.

DESCRIPTION FONCTIONNELLE



1. Poignée
2. Indicateur de réglage de vitesse
3. Appui de l'outil
4. Poignée latérale
5. Tampon polisseur
6. Disque d'appui en caoutchouc
7. Bouton de verrouillage
8. Évents
9. Détente
10. Cordon

Spécifications

No de Cat.	Volts	Rotation à Vide (T/Min.)	Diam./Disque	Dimension Pivot
5455	120 ca/cd	1750	178 mm/229 mm (7"/9")	5/8"-11
5460	120 ca	0 - 1 750	178 mm/229 mm (7"/9")	5/8"-11
5540	120 ca	0 - 2 800	178 mm (7")	5/8"-11

Pictographie

	Double Isolation		Couvant alternatif ou direct
	Underwriters Laboratories, Inc., États-Unis et Canada		Couvant alternatif
	Ampères	n_0 <u>xxxx</u> /min.	Tours-minute à vide (RPM)

MISE A LA TERRE

AVERTISSEMENT

Si le fil de mise à la terre est incorrectement raccordé, il peut en résulter des risques de choc électrique. Si vous n'êtes pas certain que la prise dont vous vous servez est correctement mise à la terre, faites-la vérifier par un électricien. N'altérez pas la fiche du cordon de l'outil. N'enlevez pas de la fiche, la dent qui sert à la mise à la terre. N'employez pas l'outil si le cordon ou la fiche sont en mauvais état. Si tel est le cas, faites-les réparer dans un centre-service **MILWAUKEE** accrédité avant de vous en servir. Si la fiche du cordon ne s'adapte pas à la prise, faites remplacer la prise par un électricien.

Outils mis à la terre : Outils pourvus d'une fiche de cordon à trois dents

Les outils marqués « Mise à la terre requise » sont pourvus d'un cordon à trois fils dont la fiche a trois dents. La fiche du cordon doit être branchée sur une prise correctement mise à la terre (voir Figure A). De cette façon, si une déféctuosité dans le circuit électrique de l'outil survient, le relais à la terre fournira un conducteur à faible résistance pour décharger le courant et protéger l'utilisateur contre les risques de choc électrique.

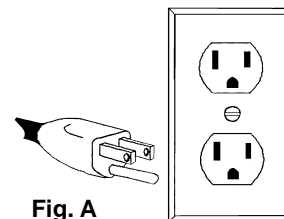


Fig. A

La dent de mise à la terre de la fiche est reliée au système de mise à la terre de l'outil via le fil vert du cordon. Le fil vert du cordon doit être le seul fil raccordé à un bout au système de mise à la terre de l'outil et son autre extrémité ne doit jamais être raccordée à une borne sous tension électrique.

Votre outil doit être branché sur une prise appropriée, correctement installée et mise à la terre conformément aux codes et ordonnances en vigueur. La fiche du cordon et la prise de courant doivent être semblables à celles de la Figure A.

Outils à double isolation : Outils pourvus d'une fiche de cordon à deux dents

Les outils marqués « Double Isolation » n'ont pas besoin d'être raccordés à la terre. Ils sont pourvus d'une double isolation conforme aux exigences de l'OSHA et satisfont aux normes de l'Underwriters Laboratories, Inc., de l'Association canadienne de normalisation (ACNOR) et du « National Electrical Code » (code national de l'électricité). Les outils à double isolation peuvent être branchés sur n'importe laquelle des prises à 120 volt illustrées ci-contre Figure B et C.

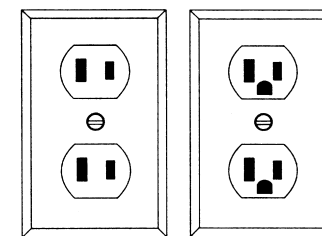


Fig. B

Fig. C

CORDONS DE RALLONGE

Si l'emploi d'un cordon de rallonge est nécessaire, un cordon à trois fils doit être employé pour les outils mis à la terre. Pour les outils à double isolation, on peut employer indifféremment un cordon de rallonge à deux ou trois fils. Plus la longueur du cordon entre l'outil et la prise de courant est grande, plus le calibre du cordon doit être élevé. L'utilisation d'un cordon de rallonge incorrectement calibré entraîne une chute de voltage résultant en une perte de puissance qui risque de détériorer l'outil. Reportez-vous au tableau ci-contre pour déterminer le calibre minimum du cordon.

Moins le calibre du fil est élevé, plus sa conductivité est bonne. Par exemple, un cordon de calibre 14 a une meilleure conductivité qu'un cordon de calibre 16. Lorsque vous utilisez plus d'une rallonge pour couvrir la distance, assurez-vous que chaque cordon possède le calibre minimum requis. Si vous utilisez un seul cordon pour brancher plusieurs outils, additionnez le chiffre d'intensité (ampères) inscrit sur la fiche signalétique de chaque outil pour obtenir le calibre minimal requis pour le cordon.

Directives pour l'emploi des cordons de rallonge

- Si vous utilisez une rallonge à l'extérieur, assurez-vous qu'elle est marquée des sigles « W-A » (« W » au Canada) indiquant qu'elle est adéquate pour usage extérieur.
- Assurez-vous que le cordon de rallonge est correctement câblé et en bonne condition. Remplacez tout cordon de rallonge détérioré ou faites-le remettre en état par une personne compétente avant de vous en servir.
- Tenez votre cordon de rallonge à l'écart des objets ranchants, des sources de grande chaleur et des endroits humides ou mouillés.

Calibres minimaux recommandés pour les cordons de rallonge*

Fiche signalétique Ampères	Longueur du cordon de rallonge (m)					
	7,6	15,2	22,8	30,4	45,7	60,9
0 - 5,0	16	16	16	14	12	12
5,1 - 8,0	16	16	14	12	10	--
8,1 - 12,0	14	14	12	10	--	--
12,1 - 15,0	12	12	10	10	--	--
15,1 - 20,0	10	10	10	--	--	--

* Basé sur une chute de voltage limite de 5 volts à 150% de l'intensité moyenne de courant.

LISEZ ATTENTIVEMENT CES INSTRUCTIONS ET CONSERVEZ-LES POUR LES CONSULTER AU BESOIN.

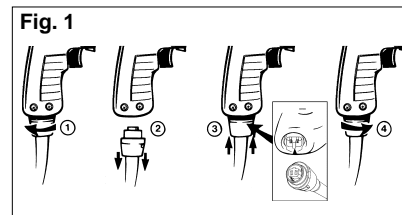
MONTAGE DE L'OUTIL

AVERTISSEMENT

Pour minimiser les risques de blessures, débranchez toujours l'outil avant d'y faire des réglages, d'y attacher ou d'en enlever les accessoires. L'usage d'accessoires autres que ceux qui sont spécifiquement recommandés pour cet outil peut comporter des risques.

Retrait et remplacement du cordon Quik-Lok®

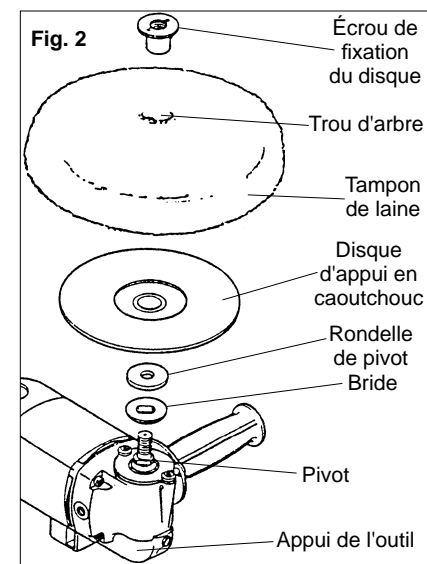
Les cordons Quik-Lok® exclusifs à MILWAUKEE permettent d'installer le cordon ou de le remplacer sur place en un tournemain.



1. Pour retirer le cordon Quik-Lok®, tournez l'écrou du cordon 1/4 de tour vers la gauche et retirez-le.
2. Pour remettre le cordon en place, alignez les rainures à clavettes du connecteur et poussez le connecteur aussi loin que possible. Tournez ensuite l'écrou du cordon 1/4 de tour vers la droite pour le verrouiller.

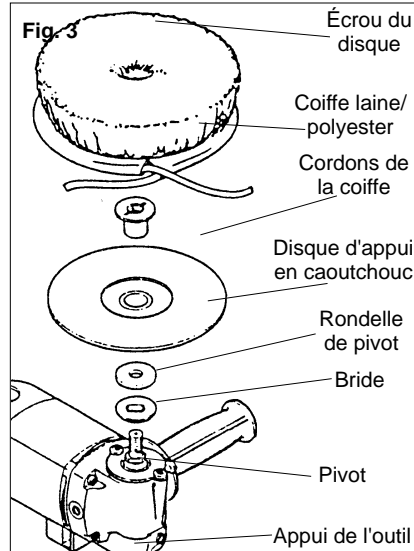
Tampons en laine d'agneau

Les tampons polisseurs MILWAUKEE sont offerts en deux textures différentes. Les tampons à 100% de laine d'agneau sont excellents pour polir les couches de fini non lustré. Les tampons faits d'un mélange de laine et polyester sont plus doux et plus appropriés aux finis lustrés.



1. Pour **installer** les tampons de laine d'agneau, débranchez l'outil et renversez-le sur son appui, le pivot en haut.
2. Assurez-vous que la bride et la rondelle de caoutchouc sont en place sur le pivot. Glissez ensuite l'écrou de fixation du disque d'appui dans le trou d'arbre du tampon de laine et du disque d'appui en veillant à ce que les fibres ne nuisent pas à sa stabilité sur l'endos du tampon.
3. Enfoncez le bouton de verrouillage du pivot (à la gauche de la boîte d'engrenages) et en même temps, vissez l'écrou de fixation et le tampon de laine ensemble sur le pivot et serrez-les à la main.
4. Pour **retirer** le tampon, enfoncez le bouton de verrouillage du pivot et dévissez l'écrou du disque d'appui en sens inverse-horaire.

Coiffes en laine/polyester



1. Pour **installer** la coiffe en laine/polyester, débranchez l'outil et posez-le sur son appui, le pivot vers le haut.
2. Assurez-vous que la bride et la rondelle de caoutchouc sont en place sur le pivot et ensuite, glissez le disque d'appui en caoutchouc sur le pivot.
3. Enfoncez le bouton de verrouillage du pivot et vissez l'écrou de fixation en sens horaire. Serrez-le en place à la main.
4. Couvrez entièrement le disque d'appui en caoutchouc avec la coiffe à polir. Liez solidement les cordons de la coiffe et passez-les sous la coiffe pour éviter qu'ils ne nuisent à votre travail.
5. Pour **retirer** la coiffe, déliez les cordons et enlevez-la. Enfoncez le bouton de verrouillage du pivot. Dévissez l'écrou de fixation et le disque d'appui en caoutchouc en les faisant tourner en sens inverse-horaire.

Tampons auto-adhérents "Hook and Loop"

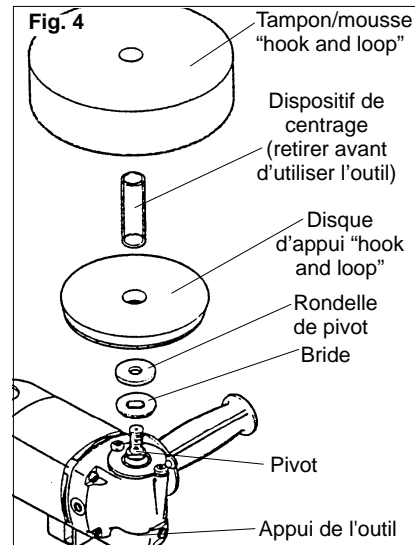
Les tampons auto-adhérents "Hook and Loop" sont offerts en laine/polyester et en mousse. Ils ne sont pas à conseiller non plus pour l'utilisateur inexpérimenté.

Le tampon de mousse no de cat. 49-36-1550 est idéal pour les finis lustrés et les polis super fins. Il sert à faire disparaître de la surface les égratignures de moyenne taille, les taches de pollution, la peinture ternie et les marques laissées par le ponçage à l'eau.

Le tampon de mousse no de cat. 49-36-0650 est excellent pour glacer les finis lustrés,

faire disparaître les traits de polissage, les taches d'eau, les ternissures superficielles et les marques causées par les brosses des lave-autos.

Un dispositif de centrage, no de cat. 49-67-0130, accompagne le disque d'appui (no de cat. 49-36-2150) du tampon "Hook and Loop" afin d'en assurer l'alignement sur le tampon polisseur et l'équilibre de la polisseuse lorsqu'elle est en marche.



1. Pour **installer** les tampons "Hook and Loop", débranchez l'outil et posez-le sur son appui, le pivot pointant vers le haut.
2. Assurez-vous que la bride et la rondelle de caoutchouc sont en place sur le pivot. Glissez le disque d'appui "Hook and Loop" sur le pivot.
3. Enfoncez le bouton de verrouillage du pivot et faites tourner le disque d'appui en sens horaire et serrez-le fermement à la main.
4. Insérez le dispositif de centrage (qui accompagne le disque d'appui) dans le trou au centre du tampon "Hook and Loop". Abaissez le tampon "hook and Loop" le long du dispositif de centrage et fixez-le au disque d'appui "Hook and Loop". **Ensuite, retirez le dispositif de centrage.**
5. Pour **retirer** le tampon polisseur, décapez-le. Enfoncez le bouton de verrouillage du pivot et dévissez le disque d'appui en le faisant tourner en sens inverse-horaire.

N.B. Pour un maniement ferme et sécuritaire de l'outil, utilisez la poignée latérale.

MANIEMENT



AVERTISSEMENT

Pour minimiser les risques de blessures, portez des lunettes à coques latérales. Débranchez l'outil avant de changer les accessoires ou d'effectuer des réglages.

Démarrage, arrêt et contrôle de la rotation

No de cat. 5455: Pour mettre l'outil en marche, appuyez sur la détente. Pour l'arrêter, relâchez-la.

Nos de cat. 5540 et 5460 sont pourvus d'un contrôle de rotation à cadran qui permet de régler la vitesse maximale de rotation (t/min.) de la polisseuse. La rotation peut être variée par la commande à détente sans jamais excéder la vitesse maximale réglée sur le cadran. Les positions de réglage vont de 1 à 5. Les chiffres les plus bas correspondent aux plus basses vitesses de rotation tandis que les chiffres les plus hauts correspondent aux vitesses plus grandes. Généralement, on utilise les vitesses de rotation plus basses pour polir les petites surfaces et les plus hautes vitesses pour les surfaces plus étendues. Choisissez le réglage de rotation le plus approprié à votre tâche.

Pour contrôler la vitesse de rotation, réglez le contrôle à cadran à la position désirée. Ensuite, appuyez sur la détente en augmentant ou en diminuant la pression du doigt pour varier la vitesse de rotation. Pour arrêter l'outil, relâchez la détente.



AVERTISSEMENT

Pour minimiser les risques de blessures, écarter le cordon du trajet de la polisseuse. Autrement, le cordon pourra être happé par le tampon. En s'enroulant autour du pivot, l'isolation du cordon pourra se briser et les fils électriques se dénuder, exposant la boîte d'engrenages à la tension électrique.

Polissage

Utilisez toujours la poignée latérale pour maîtriser correctement l'outil. Déplacez la polisseuse en larges mouvements de va-et-vient. Une pression trop grande, un mauvais angle ou des mouvements désordonnés pourront laisser des marques de polissage.

Consultez les instructions détaillées qui accompagnent les produits de cirage, finition et polissage que vous employez.

Prévention des brûlures de la surface peinte

Les surfaces peintes sont sensibles aux brûlures de polissage. Cela peut se produire si vous polissez à une trop grande vitesse ou si vous maintenez le tampon polisseur au même endroit trop longtemps. Pour éviter de brûler la peinture, n'appuyez pas trop sur la polisseuse et déplacez-la constamment, surtout lorsque vous polissez les contours d'un objet ou d'une surface.

Soyez particulièrement prudent lorsque vous utilisez la polisseuse no de cat. 5540 dont la vitesse de rotation très élevée peut occasionner des brûlures de surfaces peintes.



AVERTISSEMENT

Pour minimiser les risques de blessures, suivez les instructions relatives à la prévention du grippage. Lorsqu'il survient, le grippage peut provoquer un brusque mouvement de recul pouvant entraîner la perte de contrôle de l'outil par l'utilisateur. Employez toujours la poignée latérale afin d'assurer une meilleure maîtrise de l'outil.

Prévention du grippage

Le grippage peut survenir si le tampon de la polisseuse se prend dans les aspérités de la surface. Lorsque cela arrive, il peut se produire un brusque mouvement de recul de l'outil pouvant causer une brûlure du fini. Pour minimiser les risques de grippage, maniez la polisseuse à basse vitesse lorsque vous êtes en présence d'une surface rugueuse. Pour les endroits difficiles d'accès, près des garnitures, miroirs ou portières de l'auto, par exemple, ne prenez pas de risques avec la polisseuse, finissez-les à la main.

Lorsque vous utilisez la polisseuse no de cat. 5460 et 5540 à commande de vitesse variable, relâchez légèrement la détente pour diminuer la vitesse de rotation.

Pour éviter le grippage, lorsque vous employez les polisseuses no de cat. 5455 sans commande variable à détente, il est préférable d'utiliser la technique de "marche

par inertie". Cette technique consiste à faire démarrer le moteur pour quelques secondes pour ensuite couper le contact et appliquer le tampon polisseur sur la surface alors que l'outil tourne sur son axe. De cette façon,

la rotation du tampon est moins rapide que lorsqu'il est mû par le moteur. Cette technique est recommandée pour les endroits de la surface qui présentent des fissures ou des cloques.

MAINTENANCE



AVERTISSEMENT

Pour minimiser les risques de blessures, débranchez toujours l'outil avant d'y effectuer des travaux de maintenance. Ne faites pas vous-même le démontage de l'outil ni le rebobinage du système électrique. Consultez un centre de service MILWAUKEE accrédité pour toutes les réparations.

Entretien de l'outil

Gardez l'outil en bon état en adoptant un programme d'entretien ponctuel. Avant de vous en servir, examinez son état en général. Inspectez-en la garde, interrupteur, cordon et cordon de rallonge pour en déceler les défauts. Vérifiez le serrage des vis, l'alignement et le jeu des pièces mobiles, les vices de montage, bris de pièces et toute autre condition pouvant en rendre le fonctionnement dangereux. Si un bruit ou une vibration insolite survient, arrêtez immédiatement l'outil et faites-le vérifier avant de vous en servir de nouveau. N'utilisez pas un outil défectueux. Fixez-y une étiquette marquée « HORS D'USAGE » jusqu'à ce qu'il soit réparé (voir « Réparations »).

Normalement, il ne sera pas nécessaire de lubrifier l'outil avant que le temps ne soit venu de remplacer les balais. Après une période pouvant aller de 6 mois à un an, selon l'usage, retournez votre outil à un centre de service MILWAUKEE accrédité pour obtenir les services suivants:

- Lubrification
- Inspection et remplacement des balais
- Inspection et nettoyage de la mécanique (engrenages, pivots, coussinets, boîtier etc.)
- Inspection électrique (interrupteur, cordon, induit etc.)
- Vérification du fonctionnement électromécanique



AVERTISSEMENT

Pour minimiser les risques de blessures, choc électrique et dommage à l'outil, n'immergez jamais l'outil et ne laissez pas de liquide s'y infiltrer.

Nettoyage

Débarrassez les événements des débris et de la poussière. Gardez les poignées de l'outil propres, à sec et exemptes d'huile ou de graisse. Le nettoyage de l'outil doit se faire avec un linge humide et un savon doux. Certains nettoyants tels l'essence, la térébenthine, les diluants à laque ou à peinture, les solvants chlorés, l'ammoniac et les détergents d'usage domestique qui en contiennent pourraient détériorer le plastique et l'isolation des pièces. Ne laissez jamais de solvants inflammables ou combustibles auprès des outils.

Réparations

Si votre outil est endommagé, retournez l'outil entier au centre de maintenance le plus proche.

ACCESSOIRES



AVERTISSEMENT

Pour minimiser les risques de blessures, débranchez toujours l'outil avant d'y installer ou d'en enlever les accessoires. L'emploi d'accessoires autres que ceux qui sont expressément recommandés pour cet outil peut présenter des risques.

Pour une liste complète des accessoires, prière de se reporter au catalogue MILWAUKEE Electric Tool ou visiter le site internet www.milwaukeetool.com. Pour obtenir un catalogue, il suffit de contacter votre distributeur local ou l'un des centres-service.

GARANTIE LIMITÉE DE L'OUTIL DE CINQ ANS

Chaque outil électrique MILWAUKEE (y compris le chargeur de batterie) est garanti à l'acheteur d'origine être exempt de vice du matériau et de fabrication. Sous réserve de certaines exceptions, MILWAUKEE réparera ou remplacera toute pièce d'un outil électrique qui, après examen, sera avéré par MILWAUKEE être affecté d'un vice du matériau ou de fabrication pendant une période de cinq (5) ans* après la date d'achat. Le retour de l'outil électrique, accompagné d'une copie de la preuve d'achat à un site d'entretien d'usine/de promotion des ventes de MILWAUKEE ou à un poste d'entretien agréé MILWAUKEE, en port prépayé et assuré, est requis pour que cette garantie s'applique. Cette garantie ne couvre pas les dommages que MILWAUKEE détermine être causés par des réparations ou des tentatives de réparation par quiconque autre que le personnel agréé par MILWAUKEE, des utilisations incorrectes, des altérations, des utilisations abusives, une usure normale, une carence d'entretien ou les accidents.

* La période de garantie pour les palans (palans à levier, à chaîne manuelle et à chaîne électrique), tous les blocs de batteries au NiCd, les projecteurs de travail (lampes torches sans fil), les radios de chantier et les chariots de travail industriels Trade Titan™ est d'un (1) an à partir de la date d'achat. *La période de garantie pour les blocs de batteries au lithium-ion qui ne sont pas équipés de la technologie V™ (entre 4 et 18 volts) est de deux (2) ans à partir de la date d'achat.

*Il existe une garantie séparée pour les blocs de batteries au lithium-ion avec technologie V™ de 18 volts et plus qui accompagnent les outils électriques sans fil de technologie V™ :

*Chaque batterie au lithium-ion 18 volts ou plus de technologie MILWAUKEE V™ est couverte par une garantie de remplacement gratuit initial pour 1 000 charges/2 ans. Ceci signifie qu'avant les 1 000 premières charges ou deux (2) années suivant la date d'achat/la première charge, une batterie de rechange sera fournie gratuitement au client pour toute batterie défectueuse. Par la suite, les clients recevront aussi une garantie supplémentaire calculée au prorata dans la limite de 2 000 charges ou cinq (5) années suivant la date d'achat/la première charge, à la première échéance. Ceci signifie que chaque client obtient une garantie au prorata supplémentaire de 1 000 charges ou de trois (3) années sur les batteries au lithium-ion 18 volts ou plus de technologie V™ en fonction de l'utilisation. Pendant cette période de garantie supplémentaire, le client ne paye que pour le service utilisable reçu au-delà des 1 000 premières charges/2 premières années, en fonction de la date de la première charge et du nombre de charges des batteries déterminés par le lecteur de service MILWAUKEE de technologie V™.

L'enregistrement de la garantie n'est pas nécessaire pour bénéficier de la garantie en vigueur sur un produit MILWAUKEE. Une preuve d'achat sous la forme d'un reçu de vente ou d'autres informations considérées suffisantes par MILWAUKEE est cependant requise. La date de fabrication du produit servira à établir la période de garantie si aucune preuve d'achat n'est fournie lorsqu'une demande de service sous garantie est faite.

L'ACCEPTATION DES RECOURS EXCLUSIFS DE RÉPARATION ET DE REMPLACEMENT DÉCRITS PAR LES PRÉSENTES EST UNE CONDITION DU CONTRAT D'ACHAT DE TOUT PRODUIT MILWAUKEE. SI VOUS N'ACCEPTÉZ PAS CETTE CONDITION, VOUS NE DEVEZ PAS ACHETER LE PRODUIT. EN AUCUN CAS MILWAUKEE NE SAURAIT ÊTRE RESPONSABLE DE TOUT DOMMAGE ACCESSOIRE, SPÉCIAL OU INDIRECT, DE DOMMAGES-INTÉRÊTS PUNITIFS OU DE TOUTE DÉPENSE, D'HONORAIRES D'AVOCATS, DE FRAIS, DE PERTE OU DE DÉLAIS ACCESSOIRES À TOUT DOMMAGE, DÉFAILLANCE OU DÉFAUT DE TOUT PRODUIT, Y COMPRIS NOTAMMENT LES PERTES DE PROFIT. CETTE GARANTIE EST EXCLUSIVE ET REMPLACE TOUTE AUTRE GARANTIE OU CONDITION, ÉCRITE OU VERBALE, EXPRESSE OU IMPLICITE. SANS LIMITER LA GÉNÉRALITÉ DES DISPOSITIONS PRÉCÉDENTES, MILWAUKEE DÉCLINE TOUTE GARANTIE IMPLICITE DE QUALITÉ MARCHANDE OU D'ADAPTATION À UNE UTILISATION OU À UNE FIN PARTICULIÈRE ET TOUTE AUTRE GARANTIE.

Cette garantie s'applique aux produits vendus aux États-Unis, au Canada et au Mexique uniquement.

ADVERTENCIAS DE SEGURIDAD GENERALES PARA LA HERRAMIENTA ELÉCTRICA



ADVERTENCIA

LEA TODAS LAS ADVERTENCIAS E INSTRUCCIONES DE SEGURIDAD.

Si no sigue todas las advertencias e instrucciones, se pueden provocar una descarga eléctrica, un incendio o lesiones graves.

Guarde todas las advertencias e instrucciones para consultarlas en el futuro.

El término “herramienta eléctrica” en todas las advertencias incluidas más abajo se refiere a su herramienta operada por conexión (cable) a la red eléctrica o por medio de una batería (inalámbrica).

SEGURIDAD EN EL ÁREA DE TRABAJO

- Mantenga limpia y bien iluminada el área de trabajo. Las áreas desordenadas u oscuras contribuyen a que se produzcan accidentes.
- No utilice herramientas eléctricas en atmósferas explosivas, como en la presencia de líquidos, gases o polvo inflamables. Las herramientas eléctricas crean chispas que pueden incendiar el polvo o las emanaciones.
- Mantenga a los niños y otras personas alejadas mientras utiliza una herramienta eléctrica. Las distracciones pueden hacerle perder el control.

SEGURIDAD ELÉCTRICA

- Los enchufes de las herramientas eléctricas deben ser del mismo tipo que el tomacorrientes. Nunca realice ningún tipo de modificación en el enchufe. No use enchufes adaptadores con herramientas eléctricas con conexión a tierra. Se reducirá el riesgo de descarga eléctrica si no se modifican los enchufes y los tomacorrientes son del mismo tipo.
- Evite el contacto corporal con superficies con conexión a tierra, como tuberías, radiadores, estufas y refrigeradores. El riesgo de descarga eléctrica aumenta si su cuerpo está conectado a tierra.
- No exponga la herramientas eléctricas a la lluvia o a condiciones de humedad. El agua que entra en una herramienta eléctrica aumenta el riesgo de descarga eléctrica.
- No abuse del cable. Nunca use el cable para transportar la herramienta

eléctrica, tirar de ella o desenchufarla. Mantenga el cable alejado del calor, los bordes afilados o las piezas en movimiento. Los cables dañados o enmarañados aumentan el riesgo de descarga eléctrica.

- Cuando se utiliza una herramienta eléctrica en el exterior, use una extensión que sea apropiada para uso en el exterior. El uso de un cable apropiado para el exterior reduce el riesgo de descarga eléctrica.
- Si debe operar una herramienta eléctrica en un lugar húmedo, utilice un suministro protegido por un dispositivo de corriente residual (RCD). Usar un RCD reduce el riesgo de que se produzcan descargas eléctricas.

SEGURIDAD PERSONAL

- Manténgase alerta, ponga cuidado a lo que está haciendo y use el sentido común cuando utilice una herramienta eléctrica. No use una herramienta eléctrica cuando está cansado o bajo la influencia de drogas, alcohol o medicinas. Despijarse un minuto cuando se utiliza una herramienta eléctrica puede tener como resultado lesiones personales graves.
- Use un equipo de protección personal. Lleve siempre protección ocular. Llevar un equipo de protección apropiado para la situación, como una máscara antipolvo, zapatos de seguridad antideslizantes, un casco o protección auditiva, reducirá las lesiones personales.
- Evite el encendido accidental. Asegúrese de que el interruptor esté en la posición de apagado antes de conectarlo a la toma de alimentación o a la batería, al levantar o mover la herramienta. Mover

herramientas con el dedo en el interruptor o enchufarlas con el interruptor en la posición de encendido contribuye a que se produzcan accidentes.

- Quite todas las llaves de ajuste antes de encender la herramienta. Una llave que esté acoplada a una pieza giratoria de la herramienta puede provocar lesiones personales.
- No se estire demasiado. Mantenga los pies bien asentados y el equilibrio en todo momento. Esto permite tener mejor control de la herramienta eléctrica en situaciones inesperadas.
- Vístase de manera apropiada. No lleve ropa suelta ni joyas. Mantenga el cabello, la ropa y los guantes lejos de las piezas en movimiento. La ropa floja, las joyas o el cabello largo pueden quedar atrapados en las piezas en movimiento.
- Si se proporcionan dispositivos para la conexión de sistemas de recolección y extracción de polvo, asegúrese de que estén conectados y se usen apropiadamente. El uso de estos dispositivos puede reducir los peligros relacionados con el polvo.

USO Y CUIDADO DE LAS HERRAMIENTAS ELÉCTRICAS

- No fuerce la herramienta eléctrica. Use la herramienta eléctrica correcta para la aplicación. La herramienta eléctrica correcta funcionará mejor y de manera más segura a la velocidad para la que se diseñó.
- No use la herramienta eléctrica si el interruptor no la enciende ni la apaga. Cualquier herramienta eléctrica que no se pueda controlar con el interruptor es peligrosa y se debe reparar.
- Desconecte el enchufe de la toma de alimentación y/o la batería de la herramienta eléctrica antes de realizar cualquier ajuste, cambiar accesorios o almacenar las herramientas eléctricas. Dichas medidas preventivas de seguridad reducen el riesgo de que la herramienta se prenda accidentalmente.
- Almacene las herramientas eléctricas fuera del alcance de los niños y no permita que personas no familiarizadas con ellas o estas instrucciones las utilicen. Las herramientas eléctricas son peligrosas en las manos de usuarios no capacitados.
- Mantenimiento de las herramientas eléctricas. Revise que no haya piezas móviles que estén desalineadas o que

se atasquen, piezas rotas ni ninguna otra condición que pueda afectar el funcionamiento de la herramienta eléctrica. Si se encuentran daños, haga que le reparen la herramienta antes de usarla. Las herramientas mal mantenidas son la causa de muchos accidentes.

- Mantenga las herramientas de corte limpias y afiladas. Es menos probable que se atasquen las herramientas de corte con filos afilados que se mantienen de manera apropiada y también son más fáciles de controlar.
- Use la herramienta eléctrica, los accesorios, las brocas, etc. siguiendo estas instrucciones, teniendo en cuenta las condiciones de trabajo y la tarea que se va a realizar. El uso de la herramienta eléctrica para operaciones diferentes de aquellas para las que se diseñó podría originar una situación peligrosa.

MANTENIMIENTO

- Haga que un técnico calificado realice el mantenimiento de la herramienta eléctrica utilizando solamente piezas de repuesto idénticas. Esto asegurará que se mantiene la seguridad de la herramienta eléctrica.

REGLAS ESPECÍFICAS DE SEGURIDAD

Advertencias de seguridad frecuentes para el pulir:

- Esta herramienta eléctrica está diseñada para funcionar como un pulidor. Consulte todas las advertencias de seguridad, ilustraciones y especificaciones suministradas con esta herramienta eléctrica. Si no sigue todas las instrucciones a continuación, se pueden provocar una descarga eléctrica, un incendio o lesiones graves.
- No se recomienda realizar ciertas operaciones con esta herramienta eléctrica, como una amoladora, una lijadora, un cepillo de alambre o una herramienta de corte. Realizar operaciones para las cuales esta herramienta no fue diseñada puede representar un peligro y producir lesiones.
- No use accesorios que no estén específicamente diseñados y recomendados por el fabricante de la herramienta. Simplemente porque el accesorio puede fijarse a su herramienta eléctrica, no significa que se garantice que su manejo sea seguro.

- **La velocidad nominal del accesorio debe ser, por lo menos, igual a la velocidad máxima marcada en la herramienta eléctrica.** Los accesorios que funcionan a una velocidad mayor que la de su velocidad nominal, pueden romperse y salir lanzados.
- **El diámetro exterior y el espesor de su accesorio deben encontrarse dentro de la capacidad nominal de su herramienta.** Los accesorios de tamaño incorrecto no se pueden proteger ni controlar adecuadamente.
- **El diámetro del árbol de los discos, de las bridas, de las almohadillas de respaldo o de cualquier otro accesorio debe adaptarse correctamente al husillo de la herramienta eléctrica.** Los accesorios con orificios para árbol que no coinciden con las piezas de montaje de la herramienta eléctrica se desequilibran, vibran en exceso y pueden causar la pérdida del control.
- **No use ningún accesorio dañado. Antes de cada uso, inspeccione los accesorios, por ejemplo, el disco abrasivo, para detectar desportilladuras y grietas; la almohadilla de respaldo para identificar grietas, desgaste o maltrato excesivo o el cepillo de alambre para detectar alambres sueltos o partidos. Si la herramienta eléctrica o el accesorio se caen, inspecciónelos para ver si están dañados o instale un accesorio que no esté dañado. Después de inspeccionar e instalar un accesorio, manténgase alejado y mantenga alejadas a las personas presentes del plano del accesorio rotatorio y haga funcionar la herramienta eléctrica a máxima velocidad en vacío durante un minuto.** Por lo general, los accesorios dañados se rompen en este tiempo de prueba.
- **Póngase equipo de protección personal. Según la aplicación, use una careta protectora completa, gafas protectoras o anteojos de seguridad. Según corresponda, póngase una máscara antipolvo, protección auditiva, guantes y mandil para taller que puedan detener pequeños fragmentos abrasivos o trozos de la pieza de trabajo.** La protección ocular debe ser capaz de detener desechos lanzados por la herramienta que se hayan generado por los distintos usos. La máscara antipolvo o el respirador deben ser capaces de filtrar las partículas que se generen durante el funcionamiento. La exposición prolongada a ruidos de alta intensidad puede producir pérdida auditiva.
- **Mantenga alejadas del área de trabajo a las personas presentes. Cualquier persona que ingrese en el área de trabajo debe ponerse el equipo de protección personal.** Los fragmentos de la pieza de trabajo o de un accesorio roto pueden salir lanzados y provocar lesiones más allá del área inmediata de operación.
- **Sujete la herramienta eléctrica únicamente por las superficies aisladas de sujeción al efectuar una operación en la cual el accesorio de corte pueda entrar en contacto con cableado oculto o con su propio cable.** Es posible que todo contacto de un accesorio de corte con un cable cargado cargue las piezas metálicas expuestas de la herramienta eléctrica y dé una descarga eléctrica al operador.
- **Coloque el cable alejado del accesorio en movimiento.** Si pierde el control, es posible que el cable se corte o se atore, y su mano o brazo pueden ser arrastrados hacia el accesorio en movimiento.
- **Nunca coloque la herramienta eléctrica sobre una superficie hasta que el accesorio se haya detenido por completo.** El accesorio en movimiento puede engancharse en la superficie y arrancar la herramienta eléctrica fuera de su control.
- **No haga funcionar la herramienta eléctrica mientras el operador la transporte junto al cuerpo.** Si el accesorio en movimiento toca accidentalmente la ropa, puede atorarse y engancharse en el cuerpo.
- **Limpie con regularidad las rejillas de ventilación de la herramienta eléctrica.** El ventilador del motor atrae el polvo dentro del alojamiento, y la acumulación excesiva de polvillo de metal puede provocar riesgos eléctricos.
- **No use la herramienta eléctrica cerca de materiales inflamables.** Las chispas pueden encender estos materiales.
- **No use accesorios que requieran refrigerantes líquidos.** El uso de agua u otros refrigerantes líquidos puede causar electrocución o descarga eléctrica.

CONTRAGOLPE Y ADVERTENCIAS RELACIONADAS

El contragolpe es una reacción súbita a un disco en movimiento, almohadilla de respaldo, cepillo o cualquier otro accesorio pellizcado o atorado. El pellizcamiento o atoramiento hacen que el accesorio rotatorio se detenga repentinamente; esto, a la vez,

hace que la herramienta eléctrica fuera de control sea despedida en dirección opuesta a la rotación del accesorio en el punto del atoramiento.

Por ejemplo, si un disco abrasivo se pellizca o atora en la pieza de trabajo, el borde del disco que entra en el punto de pellizcamiento puede penetrar en la superficie del material haciendo que el disco se salga o dé un contragolpe. Es posible que el disco salte hacia el operador o en dirección opuesta a él, según la dirección del movimiento del disco en el punto de pellizcamiento. Los discos abrasivos también se pueden romper en estas condiciones.

El contragolpe es el resultado del uso incorrecto de la herramienta eléctrica y/o de procedimientos o condiciones de trabajo incorrectas, y puede evitarse tomando las medidas de precaución adecuadas, como las señaladas abajo.

- **Mantenga una sujeción firme de la herramienta eléctrica, y coloque el cuerpo y el brazo de manera que le permitan resistir las fuerzas de un contragolpe. Siempre que sea proporcionado, use el mango auxiliar para tener el máximo control sobre el contragolpe o la reacción del par de torsión durante el arranque.** El operador puede controlar las reacciones del par de torsión o las fuerzas del contragolpe, si toma las medidas de precaución adecuadas.
- **Nunca coloque la mano cerca del accesorio rotatorio.** Es posible que se produzca un contragolpe del accesorio rotatorio sobre la mano.
- **No coloque el cuerpo en el área adonde se moverá la herramienta eléctrica si se produce un contragolpe.** El contragolpe impulsará la herramienta en la dirección opuesta al movimiento del disco en el punto de atoramiento.
- **Preste especial atención cuando trabaje en esquinas, bordes afilados, etc. Evite que el accesorio rebote o se atore.** Las esquinas, los bordes afilados o la acción de rebote tienden a hacer que el accesorio rotatorio se atore y provocan la pérdida del control o el contragolpe.
- **No use una hoja de tallar madera para cadena de la sierra ni una hoja dentada para sierra.** Dichas hojas suelen crear con frecuencia contragolpes y la consiguiente pérdida del control.

Advertencias de seguridad específicas para Operaciones de pulido:






- **No permita que ninguna parte suelta del disco pulidor ni sus tiras de sujeción giren libremente. Oculte o corte todas las tiras de sujeción que estén sueltas.** Las tiras de sujeción sueltas y que estén girando pueden enredarse en sus dedos o atorarse en la pieza de trabajo.

Advertencias de seguridad adicionales

- **Mantenga las etiquetas y las placas identificativas.** Tienen información importante. Si no se pueden leer o si faltan, póngase en contacto con un centro de servicio *MILWAUKEE* para obtener un repuesto gratuito.
- **ADVERTENCIA :** Algunas partículas de polvo resultantes del lijado mecánico, aserrado, esmerilado, taladrado y otras actividades relacionadas a la construcción, contienen sustancias químicas que se saben ocasionan cáncer, defectos congénitos u otros daños al aparato reproductivo. A continuación se citan algunos ejemplos de tales sustancias químicas:
 - plomo proveniente de pinturas con base de plomo
 - sílice cristalino proveniente de ladrillos, cemento y otros productos de albañilería y
 - arsénico y cromo provenientes de madera químicamente tratada.

El riesgo que usted sufre debido a la exposición varía dependiendo de la frecuencia con la que usted realiza estas tareas. Para reducir la exposición a estas sustancias químicas: trabaje en un área bien ventilada, y utilice equipo de seguridad aprobado como, por ejemplo, máscaras contra el polvo que hayan sido específicamente diseñadas para filtrar partículas microscópicas.

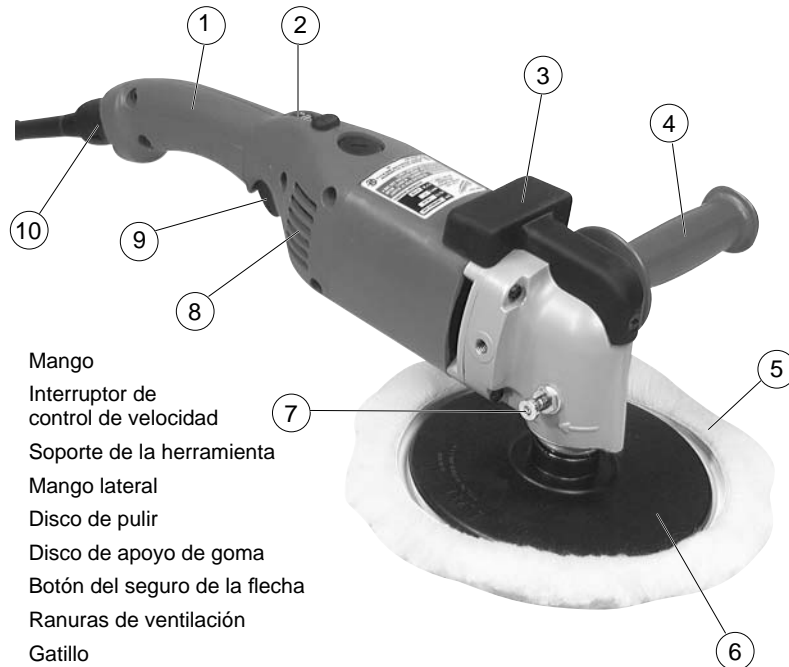
Simbología

	Con doble aislamiento		Volts de corriente alterna/corriente directa
	Underwriters Laboratories, Inc., Estados Unidos y Canadá		Volts de corriente alterna
	Amperios	n° xxxx/min.	Revoluciones por minuto sin carga (rpm)

Especificaciones

Cat. No.	Volts	RPM	Diám. Disco	Tamaño de Flecha
5455	120 ca/cd	1750	178 mm/229 mm (7"/9")	5/8"-11
5460	120 ca	0 - 1 750	178 mm/229 mm (7"/9")	5/8"-11
5540	120 ca	0 - 2 800	178 mm (7")	5/8"-11

DESCRIPCION FUNCIONAL



1. Mango
2. Interruptor de control de velocidad
3. Soporte de la herramienta
4. Mango lateral
5. Disco de pulir
6. Disco de apoyo de goma
7. Botón del seguro de la flecha
8. Ranuras de ventilación
9. Gatillo
10. Cable eléctrico

TIERRA



ADVERTENCIA

Puede haber riesgo de descarga eléctrica si se conecta el cable de conexión de puesta a tierra incorrectamente. Consulte con un electricista certificado si tiene dudas respecto a la conexión de puesta a tierra del tomacorriente. No modifique el enchufe que se proporciona con la herramienta. Nunca retire la clavija de conexión de puesta a tierra del enchufe. No use la herramienta si el cable o el enchufe está dañado. Si está dañado antes de usarlo, llévelo a un centro de servicio **MILWAUKEE** para que lo reparen. Si el enchufe no se acopla al tomacorriente, haga que un electricista certificado instale un toma-corriente adecuado.

Herramientas con conexión a tierra: Herramientas con enchufes de tres clavijas

Las herramientas marcadas con la frase "Se requiere conexión de puesta a tierra" tienen un cable de tres hilos y enchufes de conexión de puesta a tierra de tres clavijas. El enchufe debe conectarse a un tomacorriente debidamente conectado a tierra (véase la Figura A). Si la herramienta se averiara o no funcionara correctamente, la conexión de puesta a tierra proporciona un trayecto de baja resistencia para desviar la corriente eléctrica de la trayectoria del usuario, reduciendo de este modo el riesgo de descarga eléctrica.

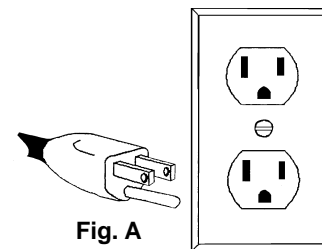


Fig. A

La clavija de conexión de puesta a tierra en el enchufe está conectada al sistema de conexión de puesta a tierra de la herramienta a través del hilo verde dentro del cable. El hilo verde debe ser el único hilo conectado al sistema de conexión de puesta a tierra de la herramienta y nunca se debe unir a una terminal energizada.

Su herramienta debe estar enchufada en un tomacorriente apropiado, correctamente instalado y conectado a tierra según todos los códigos y reglamentos. El enchufe y el tomacorriente deben asemejarse a los de la Figura A.

Herramientas con doble aislamiento: Herramientas con clavijas de dos patas

Las herramientas marcadas con "Doble aislamiento" no requieren conectarse "a tierra". Estas herramientas tienen un sistema aislante que satisface los estándares de OSHA y llena los estándares aplicables de UL (Underwriters Laboratories), de la Asociación Canadiense de Estándares (CSA) y el Código Nacional de Electricidad. Las herramientas con doble aislamiento pueden ser usadas en cualquiera de los toma corriente de 120 Volt mostrados en las Figuras B y C.

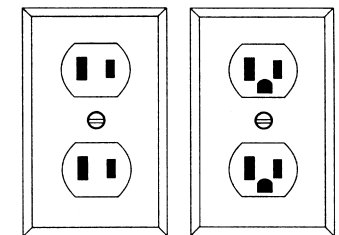


Fig. B

Fig. C

EXTENSIONES ELECTRICAS

Las herramientas que deben conectarse a tierra cuentan con clavijas de tres patas y requieren que las extensiones que se utilicen con ellas sean también de tres cables. Las herramientas con doble aislamiento y clavijas de dos patas pueden utilizarse indistintamente con extensiones de dos a tres cables. El calibre de la extensión depende de la distancia que exista entre la toma de la corriente y el sitio donde se utilice la herramienta. El uso de extensiones inadecuadas puede causar serias caídas en el voltaje, resultando en pérdida de potencia y posible daño a la herramienta. La tabla que aquí se ilustra sirve de guía para la adecuada selección de la extensión.

Mientras menor sea el número del calibre del cable, mayor será la capacidad del mismo. Por ejemplo, un cable calibre 14 puede transportar una corriente mayor que un cable calibre 16. Cuando use más de una extensión para lograr el largo deseado, asegúrese que cada una tenga al menos, el mínimo tamaño de cable requerido. Si está usando un cable de extensión para más de una herramienta, sume los amperes de las varias placas y use la suma para determinar el tamaño mínimo del cable de extensión.

Guías para el uso de cables de extensión

- Si está usando un cable de extensión en sitios al aire libre, asegúrese que está marcado con el sufijo "W-A" ("W" en Canadá) el cual indica que puede ser usado al aire libre.
- Asegúrese que su cable de extensión está correctamente cableado y en buenas condiciones eléctricas. Cambie siempre una extensión dañada o hágala reparar por una persona calificada antes de volver a usarla.
- Proteja su extensión eléctrica de objetos cortantes, calor excesivo o áreas mojadas.

Calibre mínimo recomendado para cables de extensiones eléctricas*

Amperios (En la placa)	Largo de cable de Extensión en (m)					
	7,6	15,2	22,8	30,4	45,7	60,9
0 - 5,0	16	16	16	14	12	12
5,1 - 8,0	16	16	14	12	10	--
8,1 - 12,0	14	14	12	10	--	--
12,1 - 15,0	12	12	10	10	--	--
15,1 - 20,0	10	10	10	--	--	--

* Basado en limitar la caída en el voltaje a 5 volts al 150% de los amperios.

LEA Y GUARDE TODAS LAS INSTRUCCIONES PARA FUTURAS REFERENCIAS.

ENSAMBLAJE DE LA HERRAMIENTA

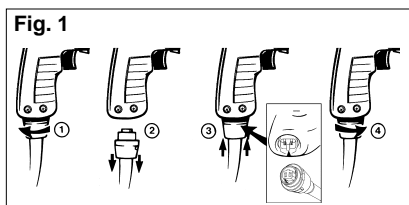


ADVERTENCIA

Para reducir el riesgo de una lesión, desconecte siempre la herramienta antes de fijar o retirar accesorios, o antes de efectuar ajustes. Utilice sólo los accesorios específicamente recomendados. El uso de otros accesorios puede ser peligroso.

Cómo extraer y reemplazar los cables de cambio rápido Quik-Lok®

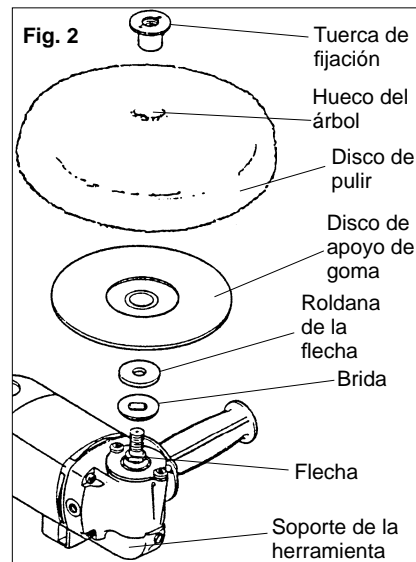
Los exclusivos cables de cambio rápido Quik-Lok® de MILWAUKEE pueden reemplazarse de forma inmediata en el área de trabajo.



1. Para extraer el cable Quik-Lok®, gírese 1/4 de vuelta hacia la izquierda y tire de él para separarlo de la unidad.
2. Para reemplazar el cable Quik-Lok®, alinee las marcas en el conector con las del cable y empuje el conector hasta que toque. Luego gire el cable 1/4 de vuelta hacia la derecha para asegurarlo.

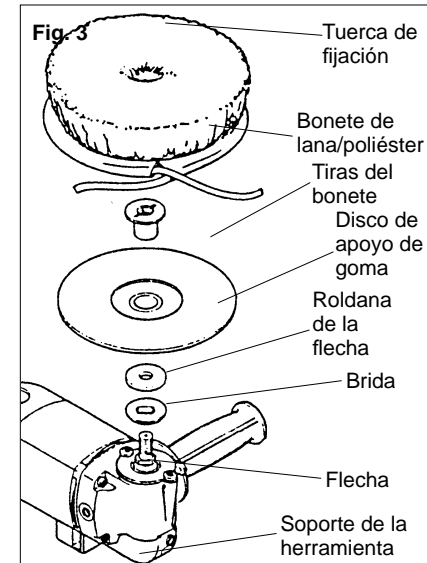
Discos de pulir

Los discos de pulir MILWAUKEE están disponibles en dos texturas diferentes. Los discos 100% de lana de cordero son ideales para pulir acabados no claros. Los discos hechos de una mezcla de lana y poliéster son más suaves, por lo que se pueden usar en superficies con acabados claros.



1. Para **instalar** los discos de pulir, desconecte la herramienta y colóquela sobre el soporte de manera que la flecha esté hacia arriba.
2. Asegúrese de que la brida y roldana de la flecha estén instaladas sobre la flecha. A continuación, deslice la tuerca de fijación a través del hueco del árbol pasando por el disco de pulir y el disco de apoyo de goma, teniendo cuidado de distribuir las fibras en el disco de manera que la tuerca sujete ambos discos.
3. Oprima el botón del seguro de la flecha (ubicado a la izquierda del regulador de engranaje), y al mismo tiempo, atornille la tuerca de fijación y el disco de pulir de izquierda a derecha para fijarla en la flecha. Asegure manualmente la tuerca y el disco.
4. Para **retirar** el disco de pulir, oprima el botón del seguro de la flecha y haga girar la tuerca de fijación de derecha a izquierda para desatornillar la pieza.

Bonetes de lana/poliéster



1. Para **instalar** los bonetes de lana y poliéster, desconecte la herramienta y colóquela sobre el soporte de manera que la flecha esté hacia arriba.
2. Asegúrese de que la brida y la roldana de la flecha estén colocadas sobre la flecha. A continuación, deslice el disco de apoyo de goma hacia la flecha.
3. Oprima el botón del seguro de la flecha y atornille la tuerca de fijación de izquierda a derecha para fijarla en la flecha. Asegure manualmente la tuerca de fijación.
4. Cubra el disco de apoyo de goma con el bonete. Asegure las tiras del bonete y métales dentro del bonete para que no obstaculicen su trabajo.
5. Para **retirar** el bonete, suelte las tiras y retírelo. Oprima el botón del seguro de la flecha y haga girar la tuerca de fijación y el disco de apoyo de goma de derecha a izquierda.

Discos de autoenganche

Los discos de autoenganche están disponibles en lana/poliéster y espuma. Si usa discos de espuma con las pulidoras Cat. No. 5540 y 5460-6, la velocidad debe fijarse en lenta/despacio. Estos discos no deben ser usados por operarios sin experiencia.

El disco de espuma Cat. No. 49-36-1550 es ideal para acabados claros y pulidos super fi-

nos. Estos discos eliminan las rayas superficiales, contaminantes amiantales, marcas de agua y la opacidad de la pintura. El disco de espuma Cat. No. 49-36-0650 es ideal para superficies esmaltadas y acabados claros. Este disco elimina los círculos dejados por productos de pulido, marcas causadas por máquinas de autolavado y opacidad leve. Con los discos de autoenganche, número de catálogo 49-36-2150, viene una herramienta centradora, Cat. No. 49-67-0130, para alinear correctamente el disco de apoyo con el disco de pulir, proveyendo así el balance adecuado para su pulidora.

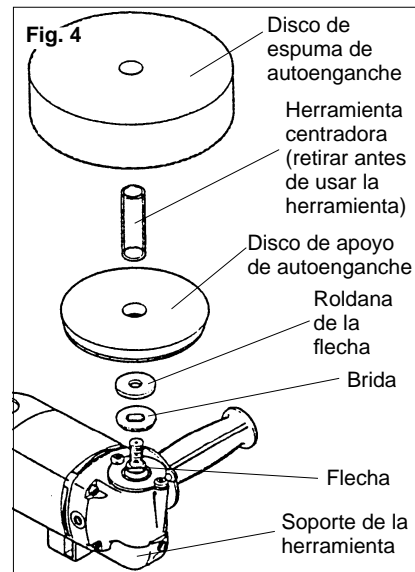
Con los discos de autoenganche, Cat. No. 49-36-2150, viene una herramienta centradora, Cat. No. 49-67-0130, para alinear correctamente el disco de apoyo con el disco de pulir, proveyendo así el balance adecuado para su pulidora.

1. Para **instalar** los discos de autoenganche, desconecte la herramienta y colóquela sobre el soporte de manera que la flecha esté hacia arriba.
2. Asegúrese de que la brida y la roldana de la flecha estén colocadas sobre la flecha. A continuación, deslice el disco de apoyo de autoenganche sobre la flecha.
3. Oprima el botón del seguro de la flecha y haga girar el disco de apoyo de izquierda a derecha hasta que quede bien asegurada manualmente.
4. Inserte la herramienta centradora (que viene con el disco de apoyo) en el centro del hueco a través del disco de apoyo

de autoenganche. Presione el disco de pulir de autoenganche deseado contra la herramienta centradora para fijar el disco de pulir en el disco de apoyo de autoenganche. **Retire la herramienta centradora.**

5. Para **retirar** el disco, "despéguelo". Oprima el botón del seguro de la flecha y haga girar el disco de apoyo de derecha a izquierda para retirarlo.

NOTA: Para tener un mejor control y operar con seguridad la herramienta, sujete los mangos laterales.



OPERACION



ADVERTENCIA

Para reducir el riesgo de una lesión, use siempre lentes de seguridad o anteojos con protectores laterales. Desconecte la herramienta antes de cambiar algún accesorio o de hacerle algún ajuste.

Encendido, apagado y control de velocidad

Pulidoras Cat. No. 5455: Para encender la herramienta, hale el gatillo. Para detenerla, suéltelo.

Pulidoras Cat. No. 5540 y 5460: Incluyen un dispositivo para controlar la velocidad del disco que regula la cantidad máxima de rotaciones por minuto. La velocidad permanecerá variable, dependiendo de la presión ejercida en el interruptor de gatillo. Los niveles de velocidad van del 1 al 5. Los números más bajos corresponden a las velocidades más lentas, y los más altos, a las más rápidas. Por lo general, es recomendable usar velocidades lentas cuando se trabaja en áreas pequeñas, y las velocidades rápidas son ideales para superficies más extensas. Utilice la velocidad que mejor se ajuste a la labor que deba realizar.

Para establecer la velocidad, seleccione el nivel deseado y a continuación, hale el gatillo. Para cambiar la velocidad, aumente o disminuya la presión en el gatillo. Para detener la herramienta, suelte el gatillo.



ADVERTENCIA

Para reducir el riesgo de una lesión, mantenga el cable eléctrico fuera del camino de la pulidora. De lo contrario, el cable podría atravesarse al disco y arrollarse en la flecha, lo que podría cortarlo y dejar al descubierto alambres vivos o "energizar" la caja de engranaje.

Pulido

Para asegurar el control correcto de la herramienta, mantenga siempre sujetado el mango lateral. Mueva la pulidora en círculos hacia adelante y hacia atrás. Si ejerce demasiada presión, pule en un ángulo equivocado u opera la herramienta con movimientos incorrectos, puede dejar marcas de pulido o quemar la superficie de trabajo.

Si desea obtener más detalles sobre cómo pulir, lea las instrucciones que vienen con sus acabados, ceras y productos para pulir.

Prevención de quemado de superficies pintadas

Las superficies pintadas son muy sensibles a la quemadura por pulido. Esto puede ocurrir si pule a una velocidad demasiado alta o si mantiene el disco de pulir en un mismo lugar, incluso durante poco tiempo. Para evitar el quemado de la superficie pintada, ejerza una muy leve presión y mantenga la pulidora siempre en movimiento, sobre todo si trabaja cerca de bordes o donde hayan cambios abruptos en el contorno de la superficie de trabajo.

Tenga especial cuidado cuando utilice pulidoras Cat. No. 5540, que son herramientas de RPM altas y tienden a quemar más las superficies pintadas.



ADVERTENCIA

Para reducir el riesgo de una lesión, siga las instrucciones sobre la prevención de atascamientos. Los atascamientos pueden causar que la herramienta dé una patada y que el operario pierda de repente el control de la misma. Sujete siempre el mango lateral para mantener la pulidora bajo control.

Prevención de atascamientos

El atascamiento ocurre cuando los discos de pulido se traban al trabajar superficies ásperas. El atascamiento puede causar que la herramienta de repente "dé una patada" y que el disco quemé la superficie pintada. Para reducir el riesgo de atascamiento cuando trabaja sobre superficies ásperas, opere la pulidora a velocidades bajas. Para pulir áreas difíciles como, por ejemplo, cerca de bordes o entre un espejo y una ventana en un auto, no corra riesgos usando una pulidora—pula estas superficies a mano.

Al usar pulidoras Cat. No. 5460 y 5540 que tienen control de velocidad en el gatillo, para disminuir la velocidad del disco afloje lentamente la presión sobre el gatillo.

Para evitar atascamientos al usar las pulidoras Cat. No. 5455 que no tienen control de velocidad en el gatillo, es mejor usar la técnica de "pulido por inercia". Para aplicar esta técnica, encienda (posición ON) el motor durante algunos segundos, luego apáguelo (posición OFF) y pula la superficie. De esta forma, cuando el disco entra en contacto con la superficie de trabajo, rotará más despacio que si el motor estuviera encendido (ON). Utilice el pulido por inercia para trabajar áreas con huecos o hendiduras.

MAINTENANCE



AVERTISSEMENT

Pour minimiser les risques de blessures, débranchez toujours l'outil avant d'y effectuer des travaux de maintenance. Ne faites pas vous-même le démontage de l'outil ni le rebobinage du système électrique. Consultez un centre de service MILWAUKEE accrédité pour toutes les réparations.

Entretien de l'outil

Gardez l'outil en bon état en adoptant un programme d'entretien ponctuel. Avant de vous en servir, examinez son état en général. Inspectez-en la garde, interrupteur, cordon et cordon de rallonge pour en déceler les défauts. Vérifiez le serrage des vis, l'alignement et le jeu des pièces mobiles, les vices de montage, bris de pièces et toute autre condition pouvant en rendre le fonctionnement dangereux. Si un bruit ou une vibration insolite survient, arrêtez immédiatement l'outil et faites-le vérifier avant de vous en servir de nouveau. N'utilisez pas un outil défectueux. Fixez-y une étiquette marquée « HORS D'USAGE » jusqu'à ce qu'il soit réparé (voir « Réparations »).

Normalement, il ne sera pas nécessaire de lubrifier l'outil avant que le temps ne soit venu de remplacer les balais. Après une période pouvant aller de 6 mois à un an, selon l'usage, retournez votre outil à un centre de service MILWAUKEE accrédité pour obtenir les services suivants:

- Lubrification
- Inspection et remplacement des balais
- Inspection et nettoyage de la mécanique (engrenages, pivots, coussinets, boîtier etc.)
- Inspection électrique (interrupteur, cordon, induit etc.)
- Vérification du fonctionnement électromécanique



AVERTISSEMENT

Pour minimiser les risques de blessures, choc électrique et dommage à l'outil, n'immergez jamais l'outil et ne laissez pas de liquide s'y infiltrer.

Nettoyage

Débarrassez les événements des débris et de la poussière. Gardez les poignées de l'outil propres, à sec et exemptes d'huile ou de graisse. Le nettoyage de l'outil doit se faire avec un linge humide et un savon doux. Certains nettoyants tels l'essence, la térébenthine, les diluants à laque ou à peinture, les solvants chlorés, l'ammoniaque et les détergents d'usage domestique qui en contiennent pourraient détériorer le plastique et l'isolation des pièces. Ne laissez jamais de solvants inflammables ou combustibles auprès des outils.

Réparations

Si votre outil est endommagé, retournez l'outil entier au centre de maintenance le plus proche.

ACCESSOIRES



AVERTISSEMENT

Débranchez toujours l'outil avant de changer ou d'enlever les accessoires. L'utilisation d'autres accessoires que ceux qui sont spécifiquement recommandés pour cet outil peut comporter des risques.

Pour une liste complète des accessoires, prière de se reporter au catalogue MILWAUKEE Electric Tool ou visiter le site internet www.milwaukeetool.com. Pour obtenir un catalogue, il suffit de contacter votre distributeur local ou l'un des centres-service énumérés sur la page de couverture de ce manuel.

GARANTIE LIMITÉE DE L'OUTIL DE CINQ ANS

Chaque outil électrique MILWAUKEE (y compris le chargeur de batterie) est garanti à l'acheteur d'origine être exempt de vice du matériau et de fabrication. Sous réserve de certaines exceptions, MILWAUKEE réparera ou remplacera toute pièce d'un outil électrique qui, après examen, sera avéré par MILWAUKEE être affecté d'un vice du matériau ou de fabrication pendant une période de cinq (5) ans* après la date d'achat. Le retour de l'outil électrique, accompagné d'une copie de la preuve d'achat à un site d'entretien d'usine/de promotion des ventes de MILWAUKEE ou à un poste d'entretien agréé MILWAUKEE, en port prépayé et assuré, est requis pour que cette garantie s'applique. Cette garantie ne couvre pas les dommages que MILWAUKEE détermine être causés par des réparations ou des tentatives de réparation par quiconque autre que le personnel agréé par MILWAUKEE, des utilisations incorrectes, des altérations, des utilisations abusives, une usure normale, une carence d'entretien ou les accidents.

* La période de garantie pour les palans (palans à levier, à chaîne manuelle et à chaîne électrique), tous les blocs de batteries au NiCd, les projecteurs de travail (lampes torches sans fil), les radios de chantier et les chariots de travail industriels Trade Titan™ est d'un (1) an à partir de la date d'achat. *La période de garantie pour les blocs de batteries au lithium-ion qui ne sont pas équipés de la technologie V™ (entre 4 et 18 volts) est de deux (2) ans à partir de la date d'achat.

*Il existe une garantie séparée pour les blocs de batteries au lithium-ion avec technologie V™ de 18 volts et plus qui accompagnent les outils électriques sans fil de technologie V™ :

*Chaque batterie au lithium-ion 18 volts ou plus de technologie MILWAUKEE V™ est couverte par une garantie de remplacement gratuit initial pour 1 000 charges/2 ans. Ceci signifie qu'avant les 1 000 premières charges ou deux (2) années suivant la date d'achat/la première charge, une batterie de rechange sera fournie gratuitement au client pour toute batterie défectueuse. Par la suite, les clients recevront aussi une garantie supplémentaire calculée au prorata dans la limite de 2 000 charges ou cinq (5) années suivant la date d'achat/la première charge, à la première échéance. Ceci signifie que chaque client obtient une garantie au prorata supplémentaire de 1 000 charges ou de trois (3) années sur les batteries au lithium-ion 18 volts ou plus de technologie V™ en fonction de l'utilisation. Pendant cette période de garantie supplémentaire, le client ne paye que pour le service utilisable reçu au-delà des 1 000 premières charges/2 premières années, en fonction de la date de la première charge et du nombre de charges des batteries déterminés par le lecteur de service MILWAUKEE de technologie V™.

L'enregistrement de la garantie n'est pas nécessaire pour bénéficier de la garantie en vigueur sur un produit MILWAUKEE. Une preuve d'achat sous la forme d'un reçu de vente ou d'autres informations considérées suffisantes par MILWAUKEE est cependant requise. La date de fabrication du produit servira à établir la période de garantie si aucune preuve d'achat n'est fournie lorsqu'une demande de service sous garantie est faite.

L'ACCEPTATION DES RECOURS EXCLUSIFS DE RÉPARATION ET DE REMPLACEMENT DÉCRITS PAR LES PRÉSENTES EST UNE CONDITION DU CONTRAT D'ACHAT DE TOUT PRODUIT MILWAUKEE. SI VOUS N'ACCEPTÉZ PAS CETTE CONDITION, VOUS NE DEVEZ PAS ACHETER LE PRODUIT. EN AUCUN CAS MILWAUKEE NE SAURAIT ÊTRE RESPONSABLE DE TOUT DOMMAGE ACCESSOIRE, SPÉCIAL OU INDIRECT, DE DOMMAGES-INTÉRÊTS PUNITIFS OU DE TOUTE DÉPENSE, D'HONORAIRES D'AVOCATS, DE FRAIS, DE PERTE OU DE DÉLAIS ACCESSOIRES À TOUT DOMMAGE, DÉFAILLANCE OU DÉFAUT DE TOUT PRODUIT, Y COMPRIS NOTAMMENT LES PERTES DE PROFIT. CETTE GARANTIE EST EXCLUSIVE ET REMPLACE TOUTE AUTRE GARANTIE OU CONDITION, ÉCRITE OU VERBALE, EXPRESSE OU IMPLICITE. SANS LIMITER LA GÉNÉRALITÉ DES DISPOSITIONS PRÉCÉDENTES, MILWAUKEE DÉCLINE TOUTE GARANTIE IMPLICITE DE QUALITÉ MARCHANDE OU D'ADAPTATION À UNE UTILISATION OU À UNE FIN PARTICULIÈRE ET TOUTE AUTRE GARANTIE.

Cette garantie s'applique aux produits vendus aux États-Unis, au Canada et au Mexique uniquement.

UNITED STATES - MILWAUKEE Service

MILWAUKEE prides itself in producing a premium quality product that is NOTHING BUT HEAVY DUTY®. Your satisfaction with our products is very important to us!

If you encounter any problems with the operation of this tool, or you would like to locate the *factory Service/Sales Support Branch* or *authorized service station*

nearest you, please call...

1-800-SAWDUST

(1.800.729.3878)

NATIONWIDE TOLL FREE

Monday-Friday • 8:00 AM - 4:30 PM • Central Time

or visit our website at

www.milwaukeetool.com

For service information, use the 'Service Center Search' icon found in the 'Parts & Service' section.

Additionally, we have a nationwide network of *authorized* Distributors ready to assist you with your tool and accessory needs. Check your "Yellow Pages" phone directory under "Tools-Electric" for the names & addresses of those nearest you or see the 'Where To Buy' section of our website.

Corporate After Sales Service - Technical Support
Brookfield, Wisconsin USA

•Technical Questions •Service/Repair Questions •Warranty

1-800-SAWDUST

(1.800.729.3878) fax: 1.800.638.9582

email: metproductsupport@milwaukeetool.com

Monday-Friday • 8:00 AM - 4:30 PM • Central Time

Canada - Service MILWAUKEE

MILWAUKEE est fier de proposer un produit de première qualité NOTHING BUT HEAVY DUTY®. Votre satisfaction est ce qui compte le plus!

En cas de problèmes d'utilisation de l'outil ou pour localiser le centre de service/ventes ou le *centre d'entretien* le plus proche, appelez le...

416.439.4181

fax: 416.439.6210

Milwaukee Electric Tool (Canada) Ltd

755 Progress Avenue
Scarborough, Ontario M1H 2W7

Notre réseau national de distributeurs *agréés* se tient à votre disposition pour fournir l'aide technique, l'outillage et les accessoires nécessaires. Composez le 416.439.4181 pour obtenir les noms et adresses des revendeurs les plus proches ou bien consultez la section «Où acheter» sur notre site web à l'adresse

www.milwaukeetool.com

MEXICO - Soporte de Servicio MILWAUKEE

Milwaukee Electric Tool, S.A. de C.V.

Blvd. Abraham Lincoln no. 13

Colonia Los Reyes Zona Industrial

Tlalnepanitla, Edo. México C.P. 54073

Tel. (55) 5565-1414 Fax: (55) 5565-6874

Adicionalmente, tenemos una red nacional de distribuidores *autorizados* listos para ayudarle con su herramienta y sus accesorios. Por favor, llame al (55) 5565-1414 para obtener los nombres y direcciones de los más cercanos a usted, o consulte la sección 'Where to buy' (Dónde comprar) de nuestro sitio web en

www.milwaukeetool.com

MILWAUKEE ELECTRIC TOOL CORPORATION

13135 West Lisbon Road • Brookfield, Wisconsin, U.S.A. 53005

58-14-3567d7

04/08

Printed in China