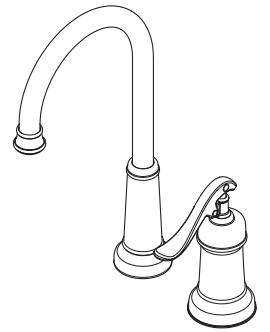


- LG72-YP2C Finish(C)
- LG72-YP2K Finish(K)
- LG72-YP2U Finish(U)
- LG72-YP2Y Finish(Y)



- 2-Hole Installation
- Pforever Seal
- Temperature Memory Feature Retains Desired Temperature Setting

Specifications

Features

- 1.75 GPM Flow Rate
- Temperature Memory Feature Retains Desired Temperature Setting
- Includes Metal Supply Nuts
- Accommodates Up to 2" Deck Thickness
- 360° Swivel Spout
- High-Arc Decorative Spout
- Pforever Seal Ceramic Disc Valve
- Pforever Warranty®

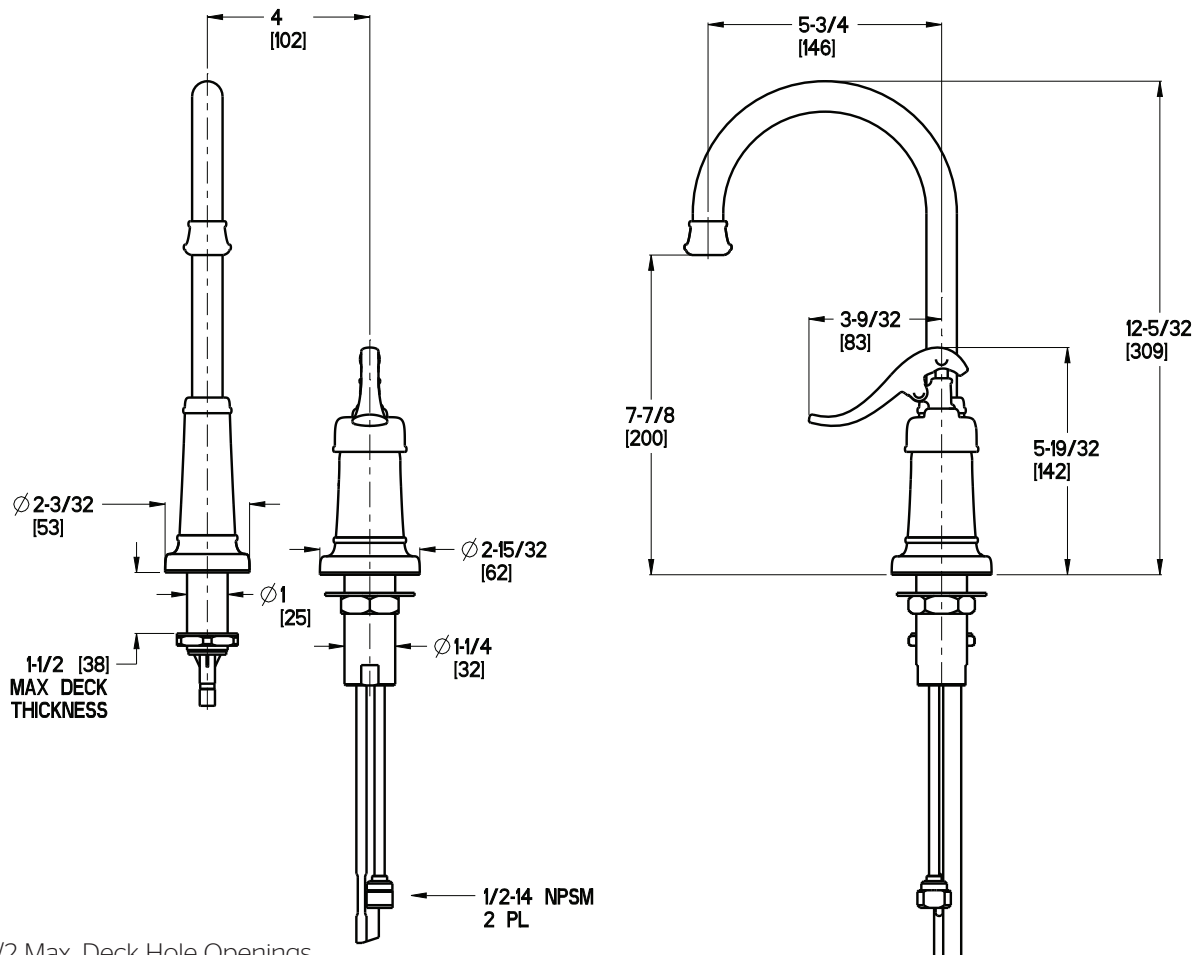
Code Compliance

Pfister products are designed and manufactured in compliance with the following standards and codes:

- IAPMO Certified
- CSA B125 Certified
- ASME A112.18.1
- NSF 61/9 Annex G (Low lead)
- ADA Compliant-ANSI A117.1 (Lever handles only)



Dimensions



$\text{Ø} 1\text{-}3/8$ Min to $\text{Ø} 1\text{-}1/2$ Max. Deck Hole Openings