



ENGINEERING EXCELLENCE

Calla Collection #2CL250

SPECIFICATION SHEET

DESCRIPTION

- Single Handle Kitchen Pull-Down Faucet
- Metal Lever Handle
- Pull-Down Head with 2 Spray Patterns Swivel 360°
- 7-5/16" Reach, 10-3/16" from Deck to Aerator
- Ceramic Disc Cartridge with Temperature Limit Stop
- 1 Hole Installation
- Ball Joint Swivel Sprayhead

FINISHES

- PC PVD Polished Chrome
- BN PVD Brushed Nickel
- SS PVD Stainless Steel
- PN PVD Polished Nickel



#2CL250 SHOWN * ADA 

FLOW

- Sprayhead Limited to 2.0 GPM

STANDARDS APPLICABLE

- ASME A112.18.1
- ANSI A117.1
- ANSI / NSF 61, SECTION 9
- CUPC / IAPMO LISTED / ADA COMPLIANT
- CONTAINS NO MORE THAN 0.25% WEIGHTED AVERAGE LEAD CONTENT

Model #: _____

Specific Features: _____

Project Name: _____

Submitted For: _____

Model	Description	Finishes	
#2CL250	Single Handle Kitchen Pull-Down Faucet	<input type="checkbox"/> PC	<input type="checkbox"/> Other__



ENGINEERING EXCELLENCE

Pioneer:1-800-338-9468
 Commerce, CA 90040
 www.pioneerind.com
 Pioneer Industries, Inc. © 2013

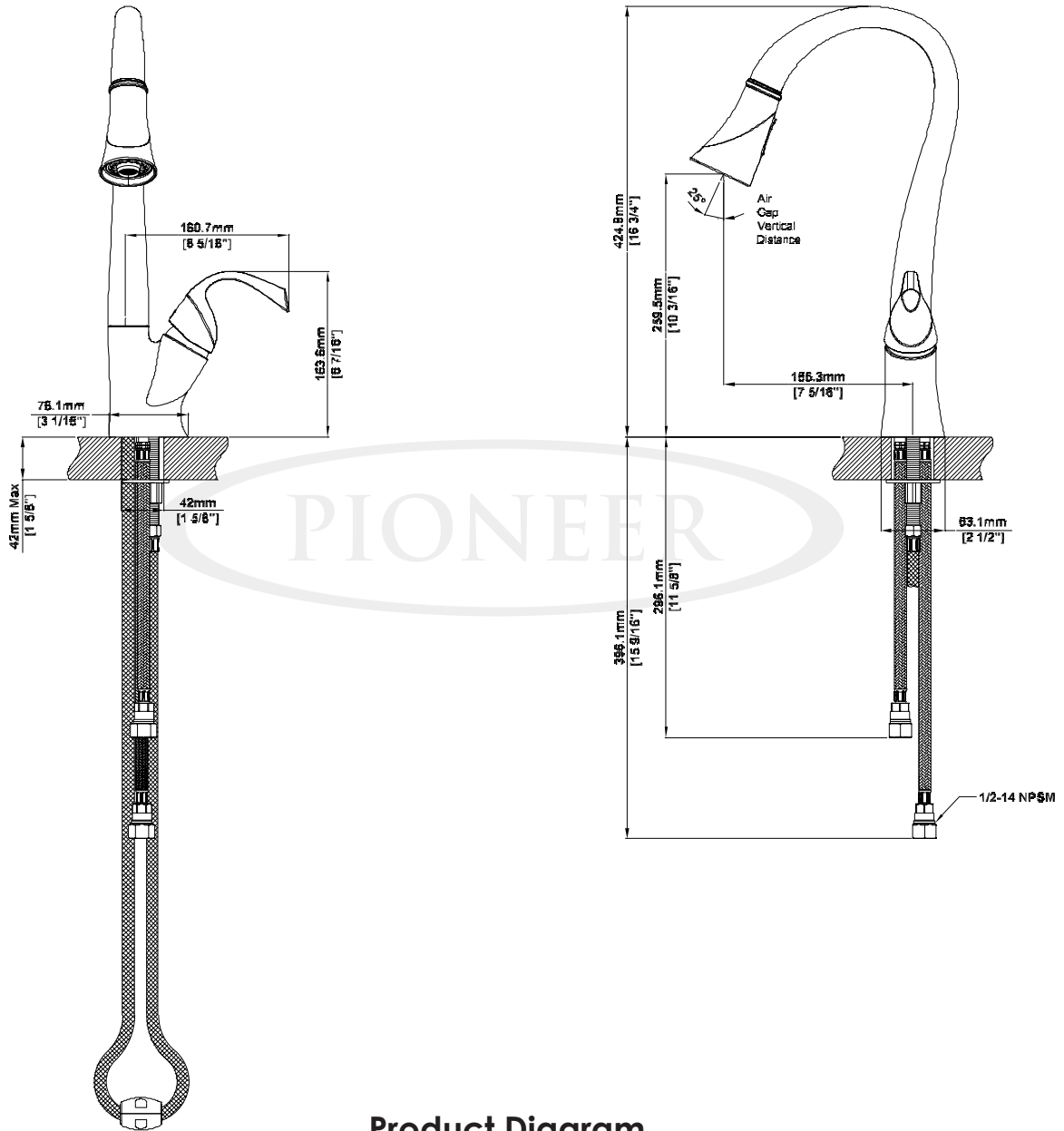
DMSP2CL250/REV. 12 2012

Page 1 of 2

Installation Note:

Faucet Hole Size:- 1-1/2"

Maximum Deck Thickness:- 1-5/8"



Product Diagram



ENGINEERING EXCELLENCE

Pioneer: 1-800-338-9468

Commerce, CA 90040

www.pioneerind.com

Pioneer Industries, Inc. © 2013