



ENGINEERING EXCELLENCE

Installation Guide

Single Handle Roman Tub Set With Handheld Showerhead:

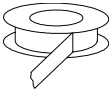

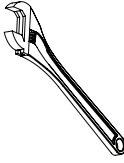
- 4MT711

This product meets the following standards:

- ASME A112.18.1
- ANSI A117.1
- CUPC/ IAPMO LISTED/ ADA COMPLIANT

Thank you for purchasing this pioneer quality product.

Tools Required

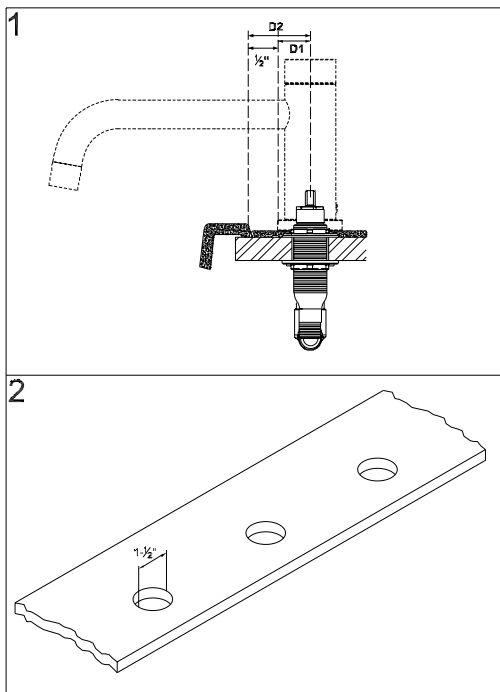
				
Teflon Tape	Allen Wrench	Adjustable Wrench		

Prior to Installation

- Observe all local plumbing and building codes before you begin installation.
- Shut off main water supply.
- Pioneer reserves the right to make changes in the design of faucets without notice as specified in the pricebook.

Faucet Installation

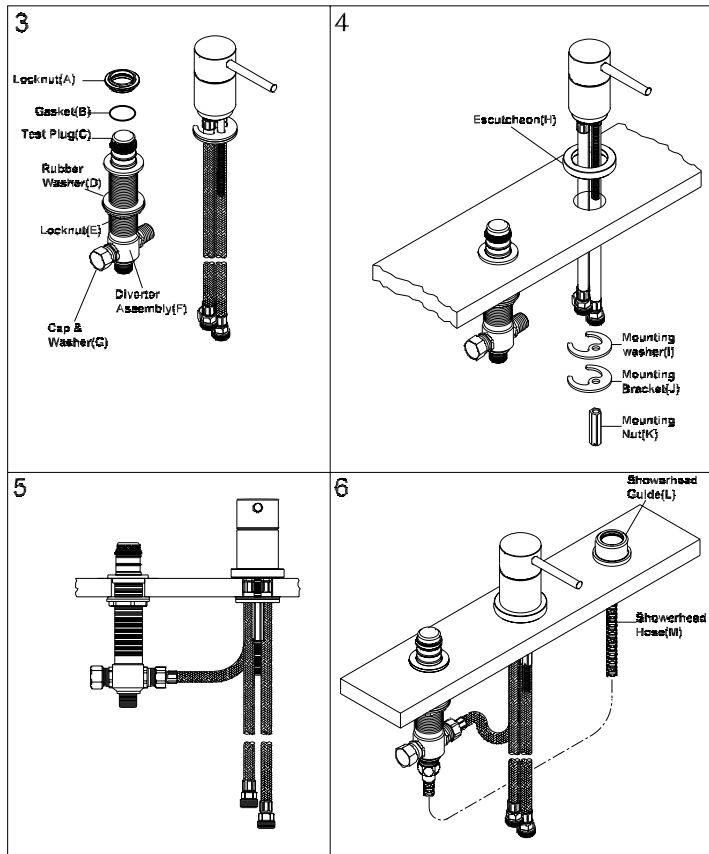
- Note:- This product is for finished deck-mount or finished rim-mount installations only.
- Determine hole location :- This valve is designed for 4" to 6" Installation. So decide the location of the mounting hole within that range. Determine the D1 dimension from the specification sheet for the desired Trim Set and add minimum 1/2" clearance from the ledge.
 - Drill two 1-1/2" diameter holes.



Faucet Installation

3. Install the cap & washer (C) on the diverter assembly (F). Thread the Locknut (E) and rubber washer (D) from top of the diverter assembly (F). Slide the diverter assembly (F) from underneath of the spout mounting hole. Install the Locknut (A) and Gasket (B) from the top of the diverter assembly till the point locknut (A) can't thread down anymore. Ensure that O-ring on the diverter assembly does not get nicked. Tighten the locknu (E) from underneath of the shank.
4. Guide the inlet hoses and outlet hose through the mounting hole. Ensure the valve escutcheon (H) and washer is underneath of the valve. Slide the mounting washer (I) and mounting bracket (J) from underneath of the mounting surface along with the mounting bolt. Secure the valve with mounting nut (K).
5. Connect the outlet hose to one side of the diverter assembly (F).
6. Install the handheld showerhead guide (L). Thread the locknut from underneath to secure the handheld showerhead guide (L). Insert the showerhead hose (M) from top of handheld showerhead guide (L). Connect the showerhead hose (M) to the diverter assembly (F). Connect inlet hoses to water supply turn on the hot and cold water supply. Check for any leaks at all the connections. Remove the test plug. Turn on the handle for appropriate amount of water coming from the shank. Turn off the handle. Reinstall the test plug. Install the guards. Install the finished deck material.

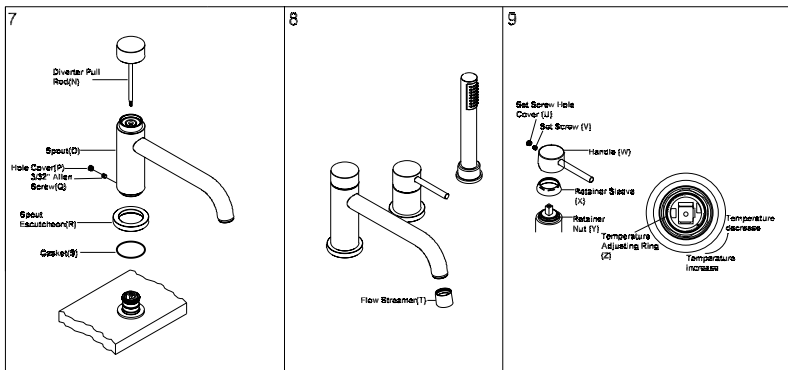
Faucet Installation



Faucet Installation

7. Spout installation: Place the spout escutcheon (R) with the gasket(S) underneath. Carefully slide the spout (O) on the diverter assembly (F) so the O-ring on the diverter assembly (F) does not get damaged. Tighten the 3/32" allen screw (Q) with the help of the allen wrench tool provided. Do not overtighten. Place the hole cover (P) to cover the hole. Install the diverter pull rod (N).
8. Turn on handle. Check for any leaks. Pull diverter pull rod (N) to ensure the water diverters from spout (O) to handheld showerhead properly.
9. **Caution:** Valve is preset at the factory test at maximum. Adjust as necessary. Please see the instructions below:
 - Turn off water supply and relieve the pressure.
 - Remove handle (W) by removing set screw hole cover(U) and loosening set screw (V) lift off.
 - Unscrew retainer sleeve (X) and retainer nut (Y) counterclockwise.
 - Use two fingers raise the red adjusting ring (Z).
 - Turn adjusting ring counterclockwise to decrease the temperature setting and clockwise to increase the temperature. Replace adjusting ring.
 - Reassemble and test until desired safe temperature is reached. (Note: Ensure proper alignment of cartridge with notch in valve body.)

Faucet Installation Drawing



For more care information or trouble shooting inquiries about your Pioneer Product, please see the contact information on the back page.



ENGINEERING EXCELLENCE

3325 S. Garfield Ave. | Commerce, CA 90040
Telephone: (800) 338-9468 | (323) 888-8873 | Fax: (323) 888-9515
Hours: M - F, 7:30am to 5:00pm PST
www.pioneerind.com