



ENGINEERING EXCELLENCE

Legacy Series #2LG100

SPECIFICATION SHEET

DESCRIPTION

- Two Handle Kitchen Faucet
- Acrylic Round Handles
- Spout Swivel 360°
- 9-11/16" Reach, 5-1/4" From Deck to Aerator
- Ceramic Disc Cartridges
- 3-Hole 8" Installation

FINISHES

- PC PVD Polished Chrome
- BN PVD Brushed Nickel



#2LG100 SHOWN

STANDARDS APPLICABLE

- ASME A112.18.1
- ANSI / NSF 61, SECTION 9
- CUPC / IAPMO LISTED
- CONTAINS NO MORE THAN 0.25% WEIGHTED AVERAGE LEAD CONTENT

FLOW

- Aerator Limited to 1.5 GPM

Model #: _____

Specific Features: _____

Project Name: _____

Submitted For: _____

Model	Description	Finishes	
#2LG100	Two Handle Kitchen Faucet	<input type="checkbox"/> PC	<input type="checkbox"/> Other___
#2LG100B	Two Handle Kitchen Faucet-Builder Tract Pack	<input type="checkbox"/> PC	<input type="checkbox"/> Other___



ENGINEERING EXCELLENCE

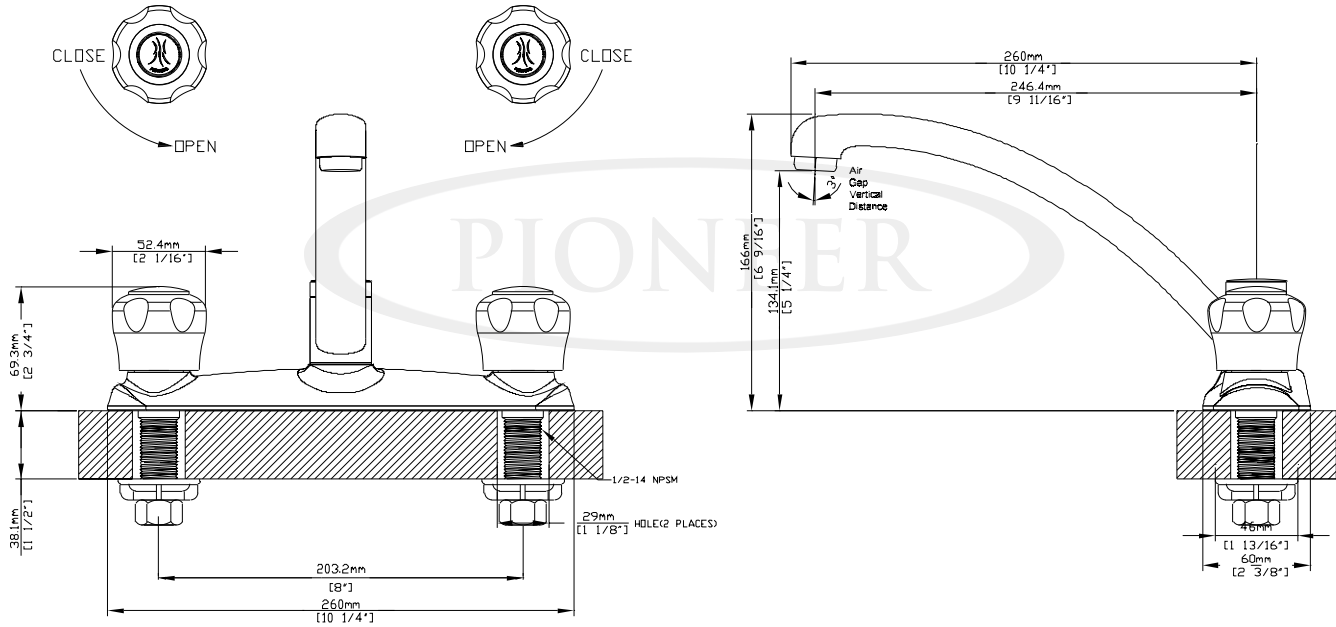
Pioneer:1-800-338-9468
 Commerce, CA 90040
 www.pioneerind.com
 Pioneer Industries, Inc. © 2013

DMSP2LG100/REV. 12 2012
 Page 1 of 2

Installation Note:

Faucet Hole Size :- 1-1/2"

Maximum Deck Thickness:- 1-1/2"



Product Diagram



ENGINEERING EXCELLENCE

Pioneer: 1-800-338-9468

Commerce, CA 90040

www.pioneerind.com

Pioneer Industries, Inc. © 2013