



ENGINEERING EXCELLENCE

Americana Series #4AM611

SPECIFICATION SHEET

DESCRIPTION

- Two Handle Roman Tub Set With Handheld
- Metal Lever Handles
- Rigid Spout
- 9-1/2" Reach
- Ceramic Disc Cartridges
- 4-Hole 8" to 16" Installation
- Includes Integral Diverter Valve
- Single Function Handheld Showerhead

FINISHES

- PC PVD Polished Chrome
- BN PVD Brushed Nickel
- SS PVD Stainless Steel
- PN PVD Polished Nickel
- PB PVD Polished Brass
- GR PVD Golden Rose
- ORB Oil Rubbed Bronze
- TB PVD Tuscany Bronze



#4AM611 SHOWN * ADA 

STANDARDS APPLICABLE

- ASME A112.18.1
- ANSI A117.1
- CUPC / IAPMO LISTED /ADA COMPLIANT

Note:-

Rough-in valve included.

Model #: _____

Specific Features: _____

Project Name: _____

Submitted For: _____

Model	Description	Finishes
#4AM611	Two Handle Roman Tub Set With Handheld	<input type="checkbox"/> PC <input type="checkbox"/> Other ____



ENGINEERING EXCELLENCE

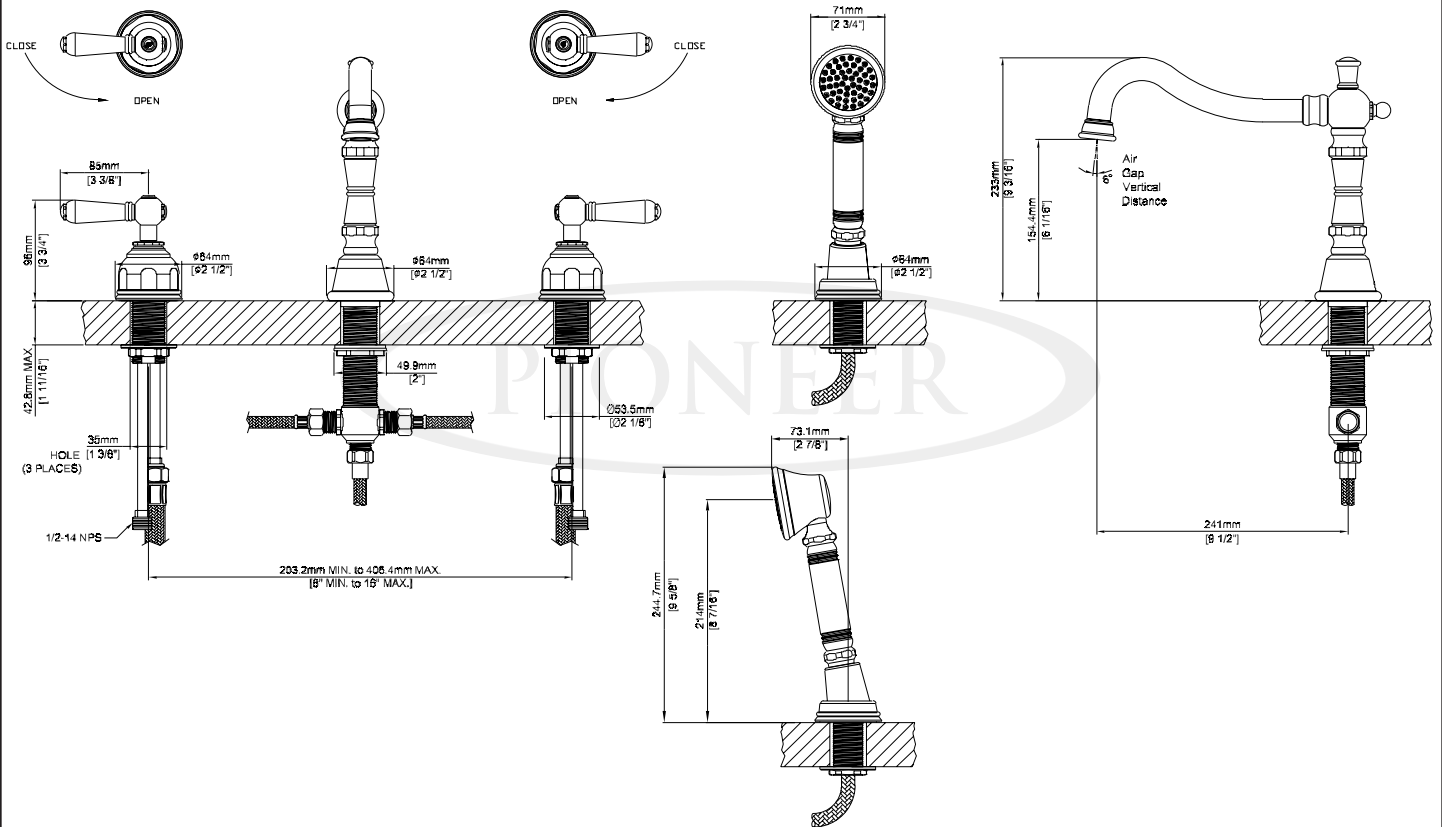
Pioneer:1-800-338-9468
 Commerce, CA 90040
 www.pioneerind.com
 Pioneer Industries, Inc. © 2013

DMSP4AM611/REV. 12 2012
 Page 1 of 2

Installation Note:

Faucet Hole Size:- 1-1/2"

Maximum Deck Thickness:- 1-11/16"



Product Diagram



ENGINEERING EXCELLENCE

Pioneer:1-800-338-9468

Commerce, CA 90040

www.pioneerind.com

Pioneer Industries, Inc. © 2013