



ENGINEERING EXCELLENCE

Gibraltar Series #3GB200

PARTS BREAKDOWN SHEET

DESCRIPTION

- Two Handle Lavatory Wide-spread Faucet
- Metal Lever Handles
- 4-3/4" Reach, 3" from Deck to Aerator
- Ceramic Disc Cartridges
- 3-Hole 6" to 16" Installation
- Brass Pop-Up Drain Assembly

FINISHES

- PC PVD Polished Chrome
- BN PVD Brushed Nickel
- PN PVD Polished Nickel
- ORB Oil Rubbed Bronze



STANDARDS APPLICABLE

- ASME A112.18.1
- ANSI A117.1
- ANSI / NSF 61, SECTION 9
- CUPC / IAPMO LISTED / ADA COMPLIANT
- CONTAINS NO MORE THAN 0.25% WEIGHTED AVERAGE LEAD CONTENT

FLOW

- Aerator Limited to 1.5 GPM

#3GB200 SHOWN * ADA 



Model #: _____

Specific Features: _____

Project Name: _____

Submitted For: _____

Model	Description	Finishes	
#3GB200	Two Handle Lavatory Widespread Faucet	<input type="checkbox"/> PC	<input type="checkbox"/> Other__



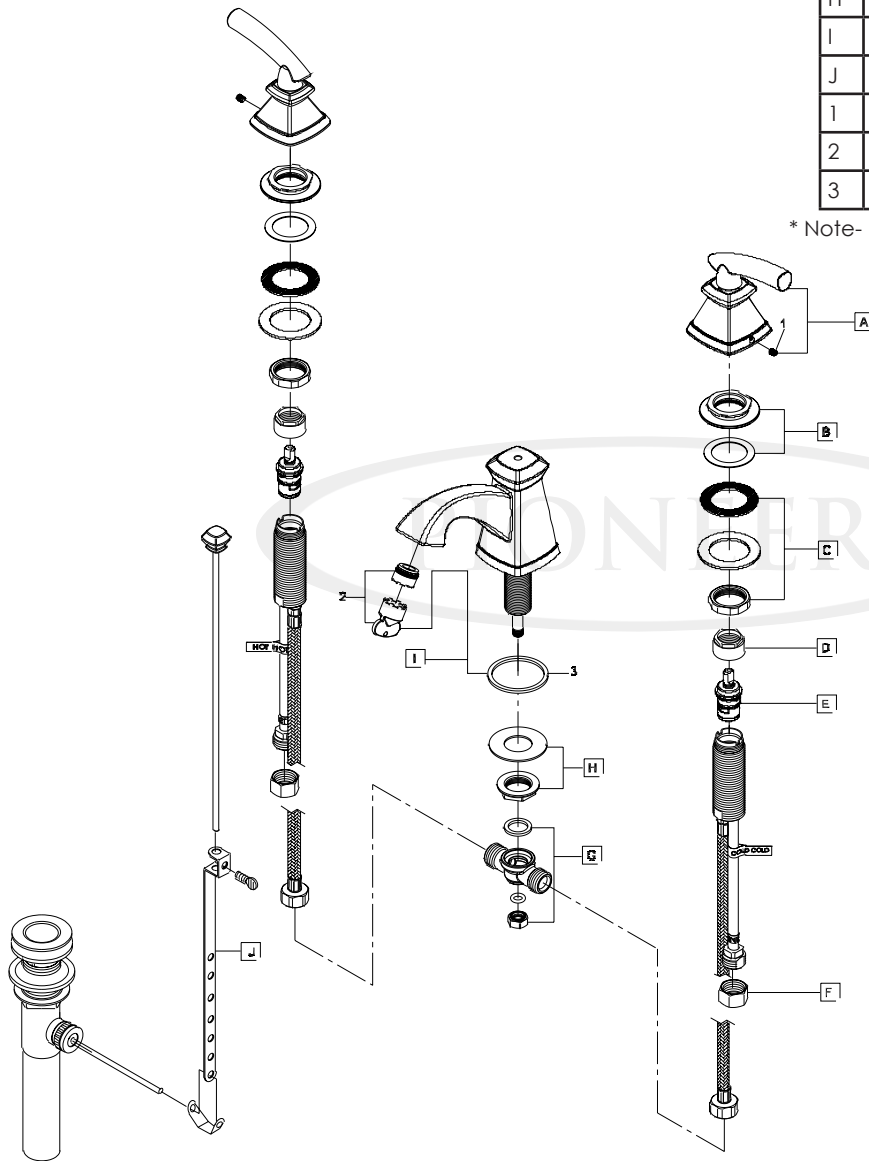
ENGINEERING EXCELLENCE

Pioneer:1-800-338-9468
 Commerce, CA 90040
 www.pioneerind.com
 Pioneer Industries, Inc. © 2013

DMPB3GB200/REV. 12 2012
 Page 1 of 2

	ITEM#	DESCRIPTION
A	X-1300018*	Lever Handle
B	X-4300082	Handle Lock Nut
C	X-5900001	Valve Mounting Kit
D	X-4900022	Bonnet Nut
E	X-3900002C,H	Ceramic Stem - Cold, Hot
F	X-4900004	Supply Nut
G	X-4300015	Cross Connector
H	X-5300005	Spout Mounting Kit
I	X-2300017*	Gibraltar Spout
J	X-6300027*	Brass Pop-up Drain Assembly
1	X-4900002	Allen Screw
2	X-4300080	1.5 GPM Aerator
3	X-4300083	Washer

* Note- Please specify finish/color code while ordering.



Product Diagram



ENGINEERING EXCELLENCE

Pioneer: 1-800-338-9468
 Commerce, CA 90040
 www.pioneerind.com
 Pioneer Industries, Inc. © 2013