



ENGINEERING EXCELLENCE

Motegi Series #2MT161H

PARTS BREAKDOWN SHEET

DESCRIPTION

- Single Handle Kitchen Faucet
- Metal Lever Handles
- Bent Nose Spout Swivel 360°
- 8-1/2" Reach, 6-7/16" from Deck to Aerator
- Ceramic Disc Cartridge with Temperature Limit Stop
- 2-Hole Installation
- Side Spray Assembly
- 3/8" Compression SS Flex Connector Lines

FINISHES

- PC PVD Polished Chrome
- BN PVD Brushed Nickel
- SS PVD Stainless Steel
- PN PVD Polished Nickel
- PB PVD Polished Brass



#2MT161H SHOWN * ADA 

STANDARDS APPLICABLE

- ASME A112.18.1
- ANSI A117.1
- ANSI / NSF 61, SECTION 9
- CUPC / IAPMO LISTED / ADA COMPLIANT
- CONTAINS NO MORE THAN 0.25% WEIGHTED AVERAGE LEAD CONTENT

FLOW

- Aerator Limited to 1.5 GPM

Model #: _____

Specific Features: _____

Project Name: _____

Submitted For: _____

Model	Description	Finishes	
#2MT161H	Single Handle Kitchen Faucet	<input type="checkbox"/> PC	<input type="checkbox"/> Other__

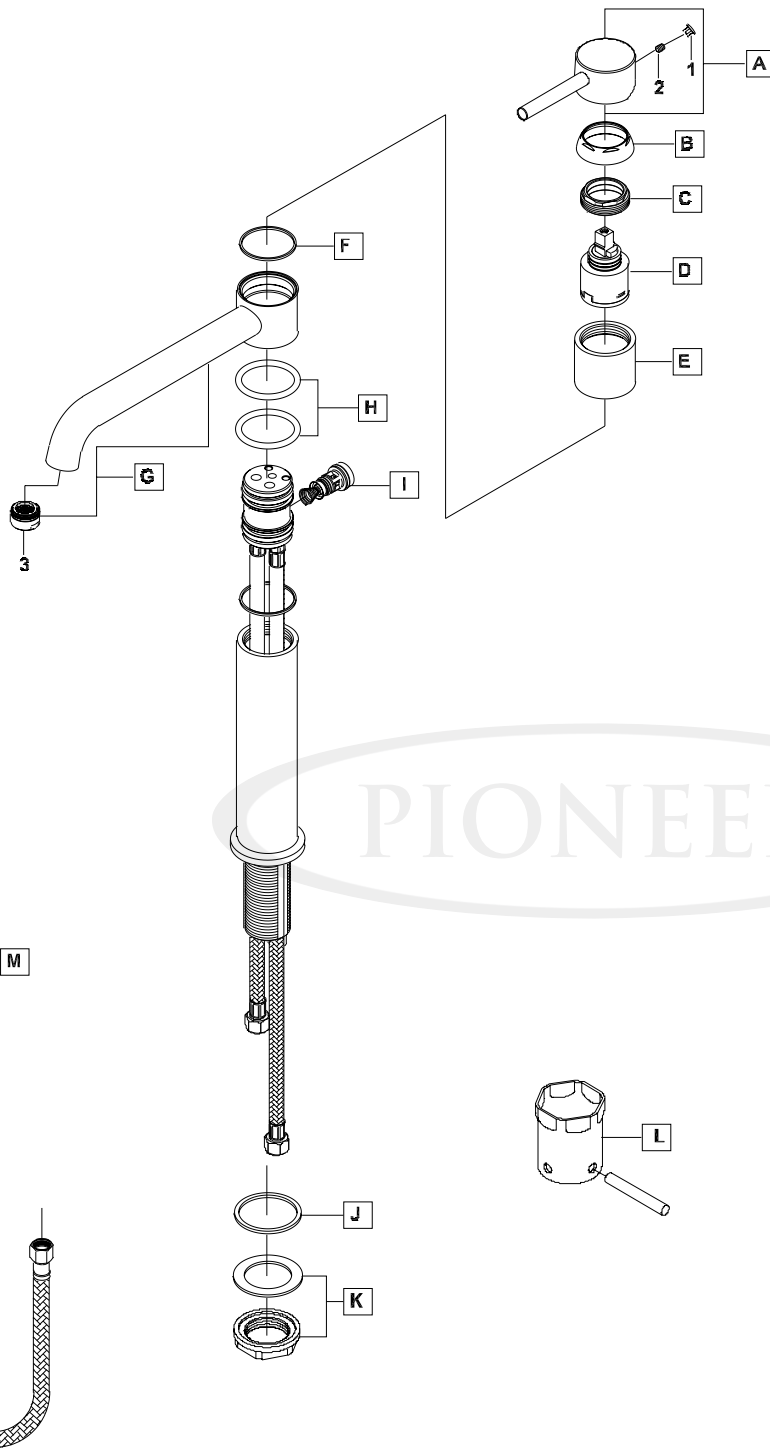


ENGINEERING EXCELLENCE

Pioneer:1-800-338-9468
 Commerce, CA 90040
 www.pioneerind.com
 Pioneer Industries, Inc. © 2013

DMPB2MT161H/REV. 12 2012

Page 1 of 2



	ITEM#	DESCRIPTION
A	X-1900008*	Motegi Lever Handle
B	X-4900017*	Retainer Sleeve
C	X-4900018	Retainer Nut
D	X-3900001	Ceramic Disc Cartridge
E	X-4200091*	Sleeve
F	X-4200003	Gasket
G	X-2200018*	Motegi Bent Nose Spout
H	X-4200004	O-Ring
I	X-4200007	Diverter Piston
J	X-4200076	Washer
K	X-5200012	Mounting Kit
L	X-5200005	Installation Tool
M	X-4200070	Side Spray Assembly
1	X-4900044*	Hole Cover
2	X-4400024	Allen Screw
3	X-4900089*	1.5 GPM Aerator

* Note: Please specify finish/color when ordering.

Product Diagram



ENGINEERING EXCELLENCE

Pioneer: 1-800-338-9468
 Commerce, CA 90040
 www.pioneerind.com
 Pioneer Industries, Inc. © 2013