



ENGINEERING EXCELLENCE

Caesar Collection #3CS800

SPECIFICATION SHEET

DESCRIPTION

- Single Handle Lavatory Wall Mount Vessel Filler
- Metal Lever Handle
- Rigid Spout
- 7-1/8" Reach
- Ceramic Disc Cartridge with Temperature Limit Stop
- 2-Hole 4" Installation

FINISHES

- PC PVD Polished Chrome
- BN PVD Brushed Nickel
- SS PVD Stainless Steel
- PN PVD Polished Nickel
- GR PVD Golden Rose



#3CS800 SHOWN * ADA 

STANDARDS APPLICABLE

- ASME A112.18.1
- ANSI A117.1
- ANSI / NSF 61, SECTION 9
- CUPC / IAPMO LISTED / ADA COMPLIANT
- CONTAINS NO MORE THAN 0.25% WEIGHTED AVERAGE LEAD CONTENT

FLOW

- Aerator Limited to 1.5 GPM

Model #: _____

Specific Features: _____

Project Name: _____

Submitted For: _____

Model	Description	Finishes	
#3CS800	Single Handle Lavatory Wall Mount Vessel Filler	<input type="checkbox"/> PC	<input type="checkbox"/> Other__



ENGINEERING EXCELLENCE

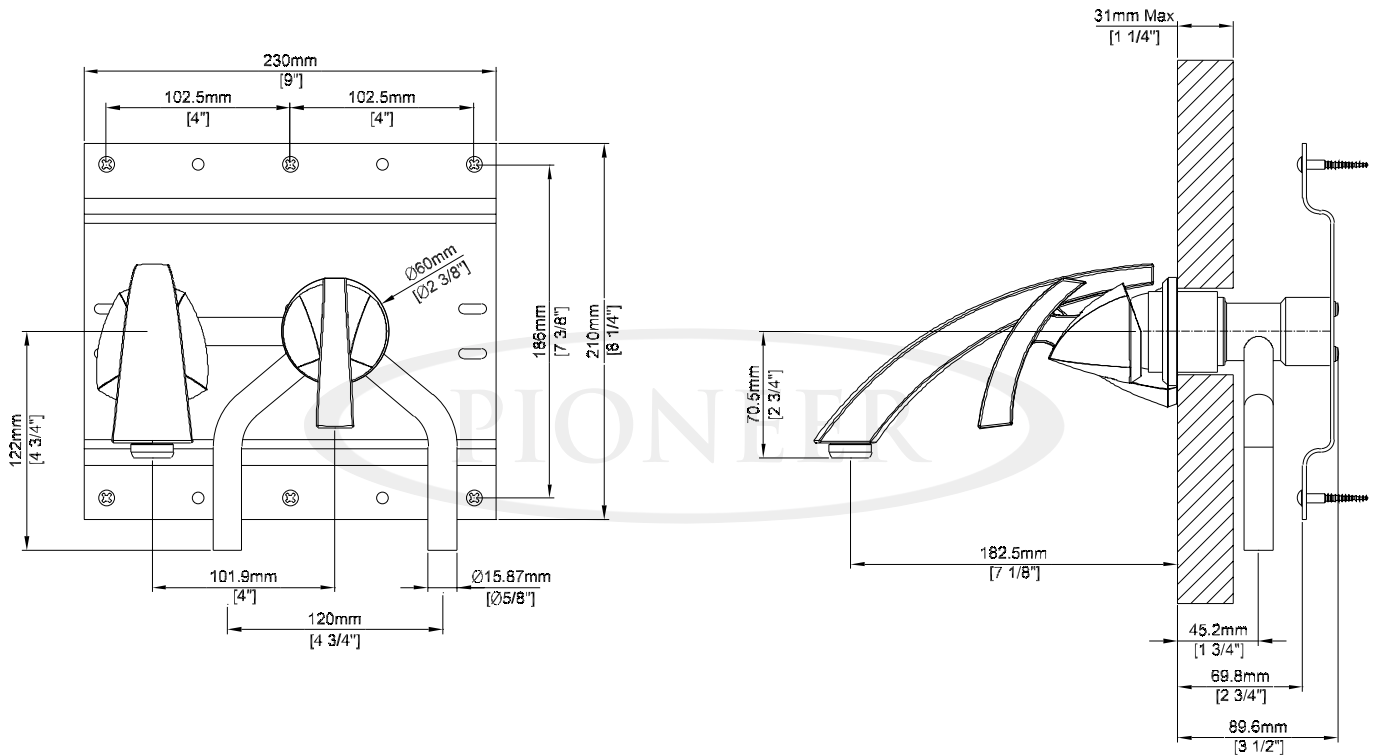
Pioneer:1-800-338-9468
 Commerce, CA 90040
 www.pioneerind.com
 Pioneer Industries, Inc. © 2013

DMSP3CS800/REV. 12 2012

Page 1 of 2

Installation Note:

Please refer to Installation Guide For this Product.



Product Diagram



ENGINEERING EXCELLENCE

Pioneer: 1-800-338-9468
 Commerce, CA 90040
 www.pioneerind.com
 Pioneer Industries, Inc. © 2013