



# ENGINEERING EXCELLENCE

Legacy Series #3LG170

PARTS BREAKDOWN SHEET

### DESCRIPTION

- Single Handle Lavatory Faucet
- Metal Loop Handle
- 4-5/8" Reach, 1-7/8" From Deck to Aerator
- Ceramic Disc Cartridge with Temperature Limit Stop
- 3-Hole 4" Installation
- Brass Pop-Up Drain Assembly

### FINISHES

- PC PVD Polished Chrome
- SS PVD Stainless Steel
- BN PVD Brushed Nickel
- PB PVD Polished Brass
- ORB Oil Rubbed Bronze



#3LG170 SHOWN \* ADA



### STANDARDS APPLICABLE

- ASME A112.18.1
- ANSI A117.1
- ANSI / NSF 61, SECTION 9
- CUPC / IAPMO LISTED / ADA COMPLIANT
- CONTAINS NO MORE THAN 0.25% WEIGHTED AVERAGE LEAD CONTENT

### FLOW

- Aerator Limited to 1.5 GPM



Model #: \_\_\_\_\_

Specific Features: \_\_\_\_\_

Project Name: \_\_\_\_\_

Submitted For: \_\_\_\_\_

Model	Description	Finishes	
#3LG170	Single Handle Lavatory Faucet	<input type="checkbox"/> PC	
#3LG170B	Single Handle Lavatory Faucet-Builder Tract Pack	<input type="checkbox"/> PC	
#3LG171	Single Handle Lavatory Faucet-Less Pop-UP Drain	<input type="checkbox"/> PC	
#3LG171G	Single Handle Lavatory Faucet-With Grid Drain Assembly	<input type="checkbox"/> PC	



ENGINEERING EXCELLENCE

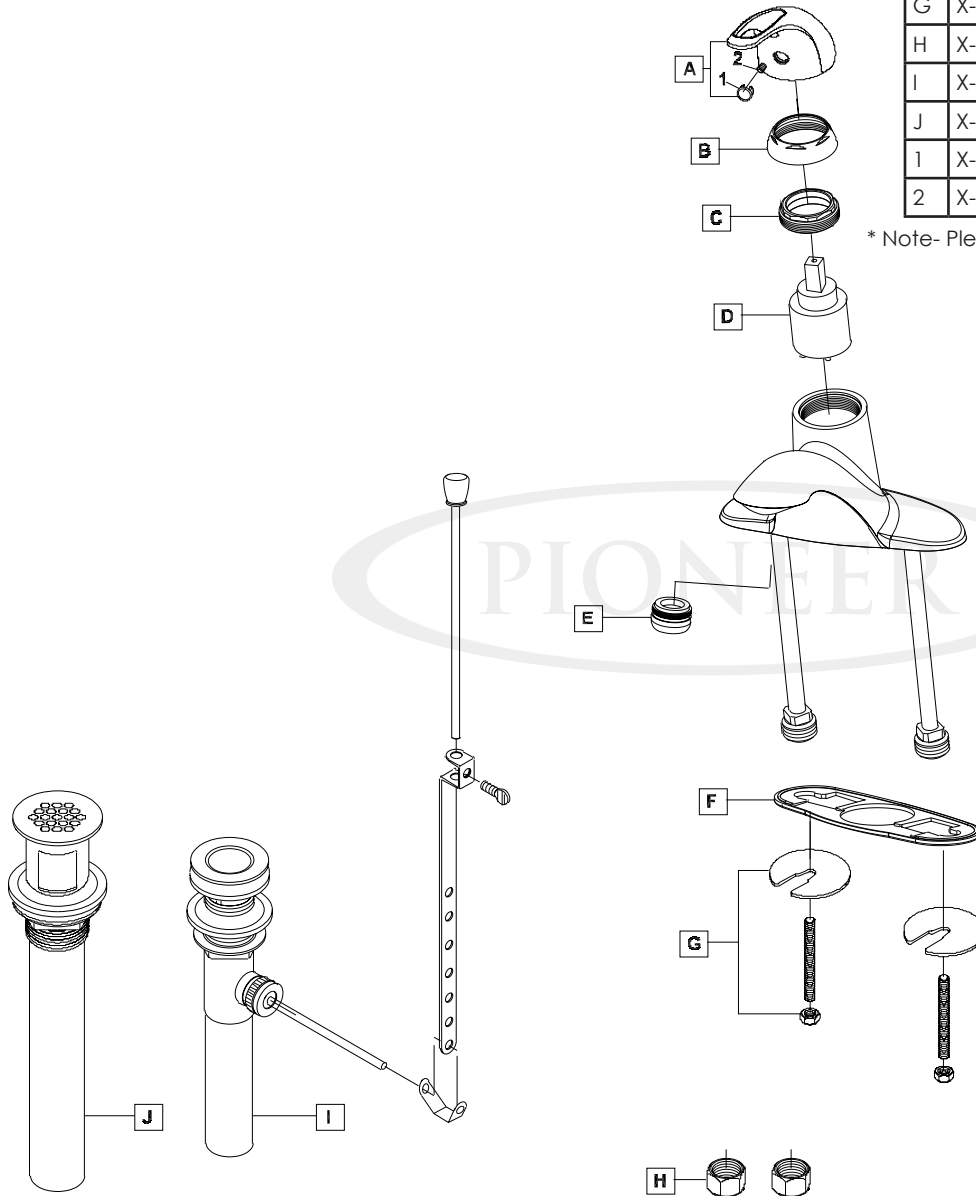
Pioneer: 1-800-338-9468  
 Commerce, CA 90040  
 www.pioneerind.com  
 Pioneer Industries, Inc. © 2013

DMPB3LG170/REV. 12 2012

Page 1 of 2

	ITEM#	DESCRIPTION
A	X-1300002*	Legacy Loop Handle
B	X-4900017*	Retainer Cap
C	X-4900018	Retainer Nut
D	X-3900003	Ceramic Disc Cartridge
E	X-4900081*	1.5 GPM Aerator
F	X-4300003	Base Plate
G	X-5300001	Mounting Kit
H	X-4900004	Supply Nut
I	X-6300001*	Brass Pop-Up (For 3LG170)
J	X-6300002*	Brass Grid Strainer (For 3LG171G)
1	X-4900001	Hot & Cold Indicator
2	X-4900002	Allen Screw

\* Note- Please specify finish/color code while ordering.



Product Diagram



ENGINEERING EXCELLENCE

Pioneer:1-800-338-9468  
 Commerce, CA 90040  
 www.pioneerind.com  
 Pioneer Industries, Inc. © 2013