



ENGINEERING EXCELLENCE

## Installation Guide

### Two Handle Kitchen Faucet:

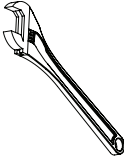



- 2LG100
- 2LG101
- 2LG100B
- 2LG110\*
- 2LG111\*
- 2LG120\*
- 2LG230\*
- 2LG231\*
- 2LG240\*

### This product meets the following standards:

- ASME A112.18.1
- ANSI A117.1
- ANSI / NSF 61, SECTION 9
- CUPC / IAPMO LISTED / ADA COMPLIANT
- CONTAINS NO MORE THAN 0.25% WEIGHTED AVERAGE LEAD CONTENT

**Thank you for purchasing this Pioneer quality product.**

**Tools Required**

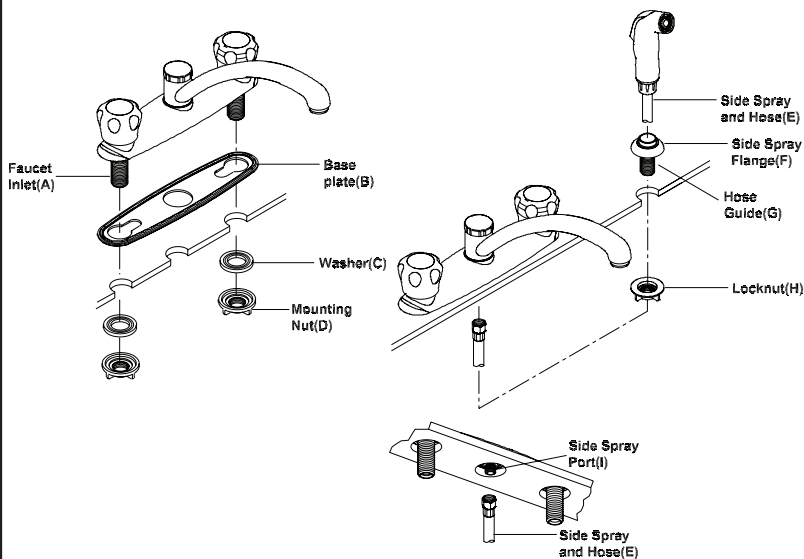
				
Adjustable Wrench	Teflon Tape	Rags	3/32" Allen Wrench	

**Prior to Installation**

- Observe all local plumbing and building codes before you begin installation.
- Carefully shut off both hot and cold water supplies from under the sink.
- Plug the sink drain with a soft cloth to prevent intrusion of debris or the loss of any faucet parts.
- For replacement installations, carefully remove the existing faucet and clean the entire surface of the sink mounting holes.
- Pioneer reserves the right to make changes in the design of faucets without notice as specified in the pricebook.

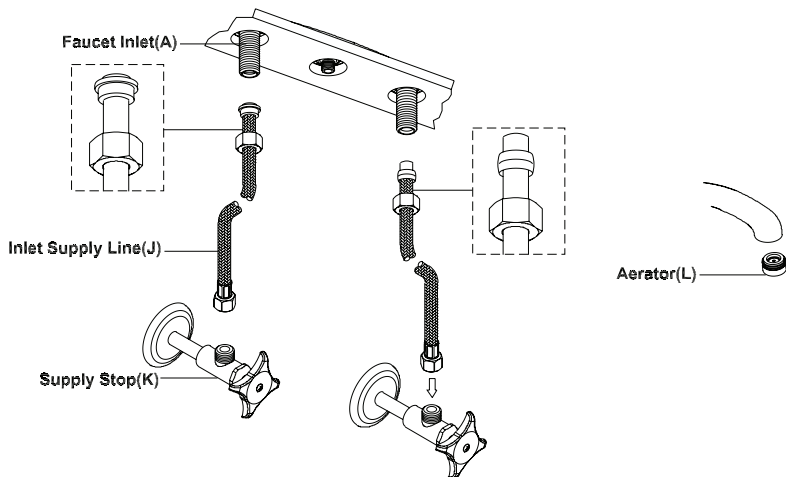
## Faucet Installation

- Place deck base plate (B) underneath the faucet.
- Apply adequate amount of plumbers putty or sealant underneath the base plate (B) if necessary.
- Lead the faucet inlet (A) through faucet holes. Make sure 'Pioneer' logo face toward the front and ensure that handles turn in correct direction.
- Slide the mounting washers (C) through faucet inlet (A).
- Thread and hand tighten the mounting nut (D) through faucet inlet (A). Make sure both sides of mounting nuts (D) are securely tighten.
- For the faucet with side spray, apply adequate amount of plumbers putty or sealant along the boundary of the side spray flange (F).
- Place the hose guide (G) through the mounting surface.
- Hand tighten the locknut (H) from underneath the sink.
- Insert the side spray and hose (E) through the hose guide (G)
- Thread the hose (E) to the side spray port (I). Do not overtighten.



## Main Supply Connection

- Connect the faucet inlet (A) to inlet supply lines (J). Then connect the supply stops (K) to the inlet supply lines (J) (left is hot water supply and right is cold water supply). Make sure inlet supply lines (J) are securely tighten. Do not over tighten.
- Turn on water. Check for any leaks. Make sure all the connections are secure.
- Remove aerator (L).
- Open the handle.
- Flush and allow water to run at full flow for at least one minute.
- Replace aerator (L).



For more care information or trouble shooting inquiries about your Pioneer Product, please see the contact information on the back page.



ENGINEERING EXCELLENCE

3325 S. Garfield Ave. | Commerce, CA 90040  
Telephone: (800) 338-9468 | (323) 888-8873 | Fax: (323) 888-9515  
Hours: M - F, 7:30am to 5:00pm PST  
[www.pioneerind.com](http://www.pioneerind.com)