



ENGINEERING EXCELLENCE

Legacy Series #2LG250

PARTS BREAKDOWN SHEET

DESCRIPTION

- Single Handle Pull-Down Kitchen Faucet
- Metal Lever Handle
- Pull-Down Head with 2 Spray Patterns Swivel 360°
- 8-1/2" Reach, 8" from Deck to Aerator
- Ceramic Disc Cartridge with Temperature Limit Stop
- 1 or 3 Hole 8" Installation

FINISHES

- PC PVD Polished Chrome
- BN PVD Brushed Nickel
- SS PVD Stainless Steel
- PB PVD Polished Brass
- ORB Oil Rubbed Bronze



#2LG250 SHOWN * ADA 

STANDARDS APPLICABLE

- ASME A112.18.1
- ANSI A117.1
- ANSI / NSF 61, SECTION 9
- CUPC / IAPMO LISTED / ADA COMPLIANT
- CONTAINS NO MORE THAN 0.25% WEIGHTED AVERAGE LEAD CONTENT

FLOW

- Pull-Down Spray Head Limited to 2.0 GPM

Model #: _____

Specific Features: _____

Project Name: _____

Submitted For: _____

| Model | Description | Finishes | |
|---------|--|-----------------------------|------------------------------------|
| #2LG250 | Single Handle Pull-Down Kitchen Faucet | <input type="checkbox"/> PC | <input type="checkbox"/> Other____ |



ENGINEERING EXCELLENCE

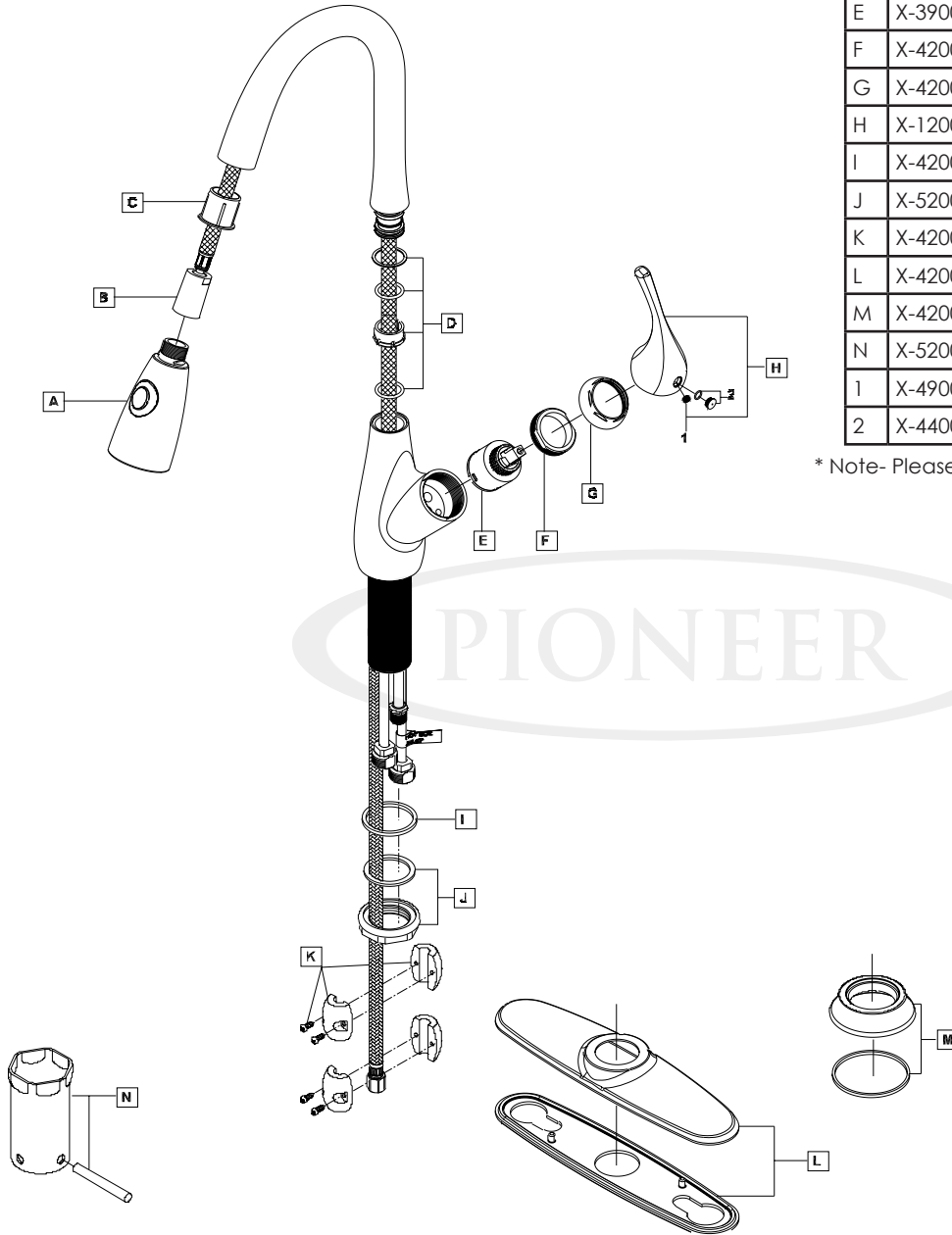
Pioneer:1-800-338-9468
 Commerce, CA 90040
 www.pioneerind.com
 Pioneer Industries, Inc. © 2013

DMPB2LG250/REV. 12 2012

Page 1 of 2

| | ITEM# | DESCRIPTION |
|---|------------|------------------------|
| A | X-4200089* | Pull-Down Spray Head |
| B | X-4200111* | Spray Hose |
| C | X-4200148 | Spray Head Support |
| D | X-4200112 | Spout Repair Kit |
| E | X-3900001 | Ceramic Disc Cartridge |
| F | X-4200002 | Retainer Nut |
| G | X-4200001* | Retainer Sleeve |
| H | X-1200016* | Lever Handle |
| I | X-4200113 | Washer |
| J | X-5200019 | Mounting Kit |
| K | X-4200041 | Weight |
| L | X-4200169* | Deck Plate |
| M | X-4200152* | Escutcheon |
| N | X-5200020 | Mounting Tool |
| 1 | X-4900057 | Allen Screw |
| 2 | X-4400073* | Hole Cover |

* Note- Please specify finish/color code while ordering.



Product Diagram



ENGINEERING EXCELLENCE

Pioneer: 1-800-338-9468
 Commerce, CA 90040
 www.pioneerind.com
 Pioneer Industries, Inc. © 2013