



ENGINEERING EXCELLENCE

Americana Series #3AM400

PARTS BREAKDOWN SHEET

DESCRIPTION

- Two Handle Lavatory Wide-spread Faucet
- Metal Lever Handles
- Rigid Spout
- 6-11/16" Reach, 5" from Deck to Aerator
- Ceramic Disc Cartridges
- 3-Hole 6" to 16" Installation
- Brass Pop-Up Drain Assembly

FINISHES

- PC PVD Polished Chrome
- BN PVD Brushed Nickel
- SS PVD Stainless Steel
- PN PVD Polished Nickel
- PB PVD Polished Brass
- GR PVD Golden Rose
- ORB Oil Rubbed Bronze
- TB PVD Tuscany Bronze



#3AM400 SHOWN * ADA 

STANDARDS APPLICABLE

- ASME A112.18.1
- ANSI A117.1
- ANSI / NSF 61, SECTION 9
- CUPC / IAPMO LISTED / ADA COMPLIANT
- CONTAINS NO MORE THAN 0.25% WEIGHTED AVERAGE LEAD CONTENT

FLOW

- Aerator Limited to 1.5 GPM



Model #: _____

Specific Features: _____

Project Name: _____

Submitted For: _____

Model	Description	Finishes
#3AM400	Two Handle Lavatory Widespread Faucet	<input type="checkbox"/> PC <input type="checkbox"/> Other ____



ENGINEERING EXCELLENCE

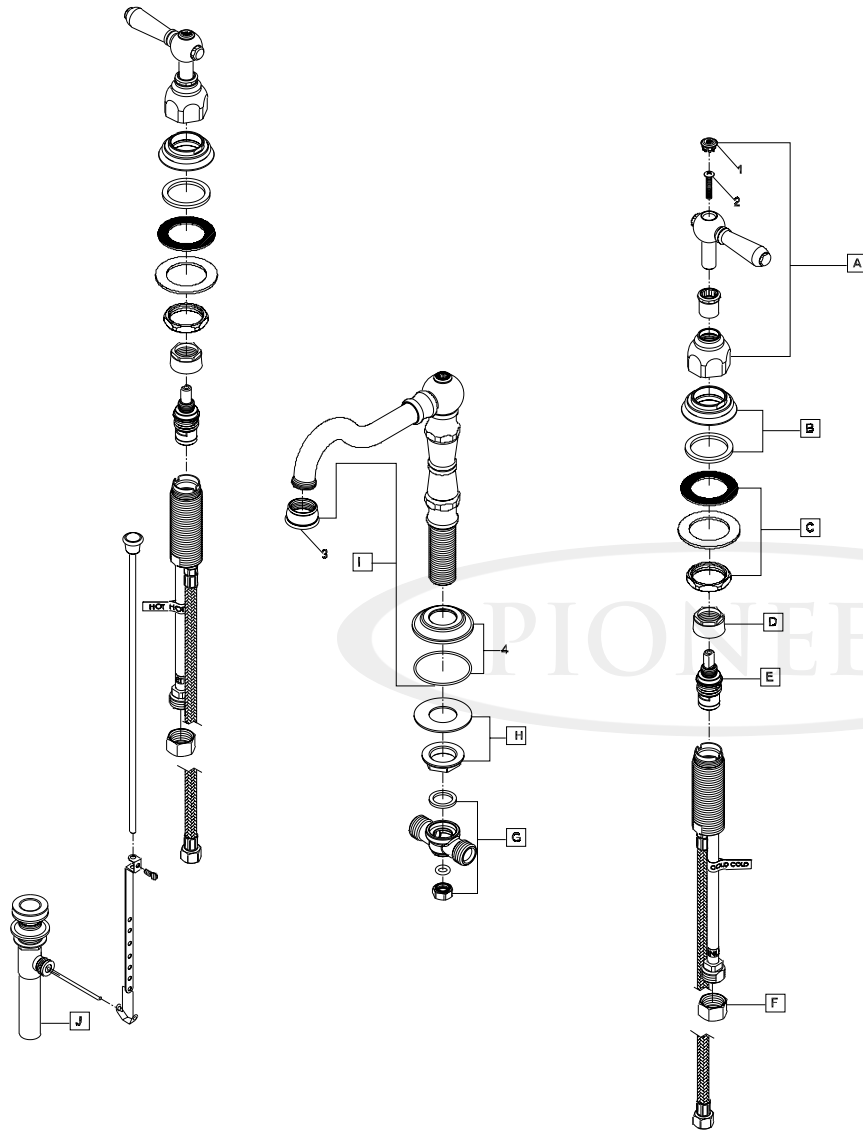
Pioneer: 1-800-338-9468
 Commerce, CA 90040
 www.pioneerind.com
 Pioneer Industries, Inc. © 2013

DMPB3AM400/REV. 12 2012

Page 1 of 2

	ITEM#	DESCRIPTION
A	X-1900007C,H*	Lever Handles-Cold,Hot
B	X-4900034*	Valve Escutcheon
C	X-5900001	Valve Mounting Kit
D	X-4900022	Bonnet Nut
E	X-3900004C,H	Ceramic Cartridge- Cold , Hot
F	X-4900004	Supply Nut
G	X-4300015	Cross Connector
H	X-5300005	Spout Mounting Kit
I	X-2300003*	Americana Spout
J	X-6300020*	Brass Pop-Up
1	X-4900042C,H*	Button-Cold, Hot
2	X-4900035	Handle Screw
3	X-4900091*	1.5 GPM Aerator
4	X-4900032*	Spout Escutcheon

* Note- Please specify finish/color code while ordering.



Product Diagram



ENGINEERING EXCELLENCE

Pioneer:1-800-338-9468
 Commerce, CA 90040
 www.pioneerind.com
 Pioneer Industries, Inc. © 2013