



ENGINEERING EXCELLENCE

## Installation Guide

Single Handle Roman Tub Set:



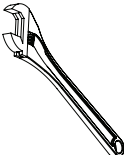
- 4MT710
- 4MT720

This product meets the following standards:

- ASME A112.18.1
- ANSI A117.1
- CUPC/ IAPMO LISTED/ ADA COMPLIANT

**Thank you for purchasing this pioneer quality product.**

**Tools Required**

				
Teflon Tape	Allen Wrench	Adjustable Wrench		

**Prior to Installation**

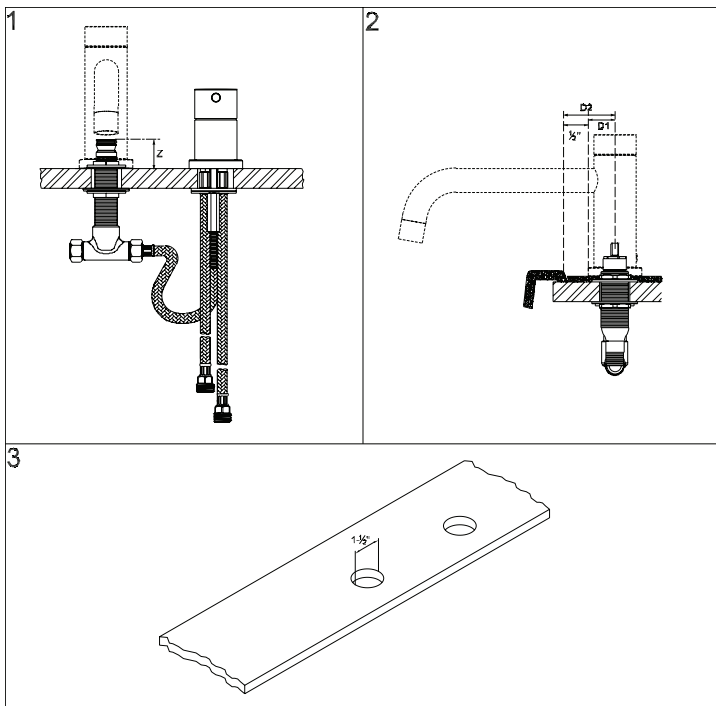
- Observe all local plumbing and building codes before you begin installation.
- Shut off main water supply.
- Pioneer reserves the right to make changes in the design of faucets without notice as specified in the pricebook.

## Faucet Installation

- Note:- This product is for finished deck-mount or finished rim-mount installations only.
- Determine hole location :- This valve is designed for 4" to 6" Installation. So decide the location of the mounting hole within that range. Determine the D1 dimension from the specification sheet for the desired trim set and add minimum 1/2" clearance from the ledge.
  - For all installation : - Refer to the table where Z is shank height.

Series	'Z'
4MT710	1-5/16"
4MT720	1-5/16"

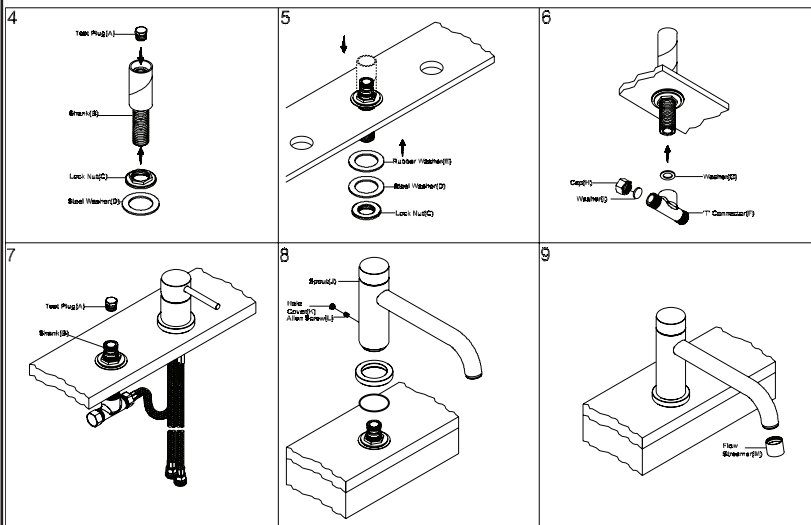
- Drill two 1-1/2" diameter holes.



## Faucet Installation

4. Install the test plug (A) on the shank (B). Thread the Locknut (C) and Steel washer (D) from top of the shank (B).
5. Slide the shank (B) from the spout mounting hole. Slide the rubber washer (E) and steel washer (D) from underneath of the shank. Thread the Locknut (C) from underneath of the shank. Keep necessary shank height 'Z'. Refer to Table for reference. Then tighten the Locknut (C). Do not overtighten.
6. Install the 'T' connector (F) to beneath of the shank (B). Do not forget to place the washer (G) between the 'T' connector (F) and the shank (B). Tighten the 'T' Connector. Apply teflon tape if necessary. Ensure to install the cap (H) & washer (I) on one side of the 'T' connector (F).
7. Guide the inlet hoses and outlet hose through the mounting hole. Ensure the valve escutcheon and washer is underneath of the valve. Slide the mounting bracket from underneath of the mounting surface along with the mounting bolt. Secure the valve with mounting nut. Connect the outlet hose to one side of the 'T' connector (F). Remove the test plug (A) from the shank (B).
8. Spout installation: Place the spout escutcheon with the gasket underneath. Carefully slide the spout (J) on the spout shank (B) so the O-ring on the spout shank does not get damaged. Tighten the 3/32" allen screw (L) with the help of the allen wrench tool provided. Do not overtighten. Place the hole cover (K) to cover the hole.
9. Turn on handle. Check for any leaks.

# Faucet Installation Drawing



For more care information or trouble shooting inquiries about your Pioneer Product, please see the contact information on the back page.



ENGINEERING EXCELLENCE

3325 S. Garfield Ave. | Commerce, CA 90040  
Telephone: (800) 338-9468 | (323) 888-8873 | Fax: (323) 888-9515  
Hours: M - F, 7:30am to 5:00pm PST  
[www.pioneerind.com](http://www.pioneerind.com)