



ENGINEERING EXCELLENCE

Americana Series #4AM200T PARTS BREAKDOWN SHEET

DESCRIPTION

- Single Handle Tub Trim Set
- Metal Lever Handle
- Ceramic Disc Cartridge with Temperature Limit Stop
- 1/2" IPS Tub Spout
- Tub Spout Escutcheon
- Color Match Sleeve and Retaining Ring

FINISHES

- PC PVD Polished Chrome
- BN PVD Brushed Nickel
- SS PVD Stainless Steel
- PN PVD Polished Nickel
- PB PVD Polished Brass
- GR PVD Golden Rose
- ORB Oil Rubbed Bronze



#4AM200T SHOWN * ADA 

STANDARDS APPLICABLE

- ASME A112.18.1
- ANSI A117.1
- CUPC / IAPMO LISTED /ADA COMPLIANT

Model #: _____

Specific Features: _____

Project Name: _____

Submitted For: _____

Model	Description	Finishes
#4AM200T	Single Handle Tub Trim Set	<input type="checkbox"/> PC <input type="checkbox"/> Other ____
Required Valve		
#4020B	Single Handle Tub And Shower Valve Set	<input type="checkbox"/> N/A



ENGINEERING EXCELLENCE

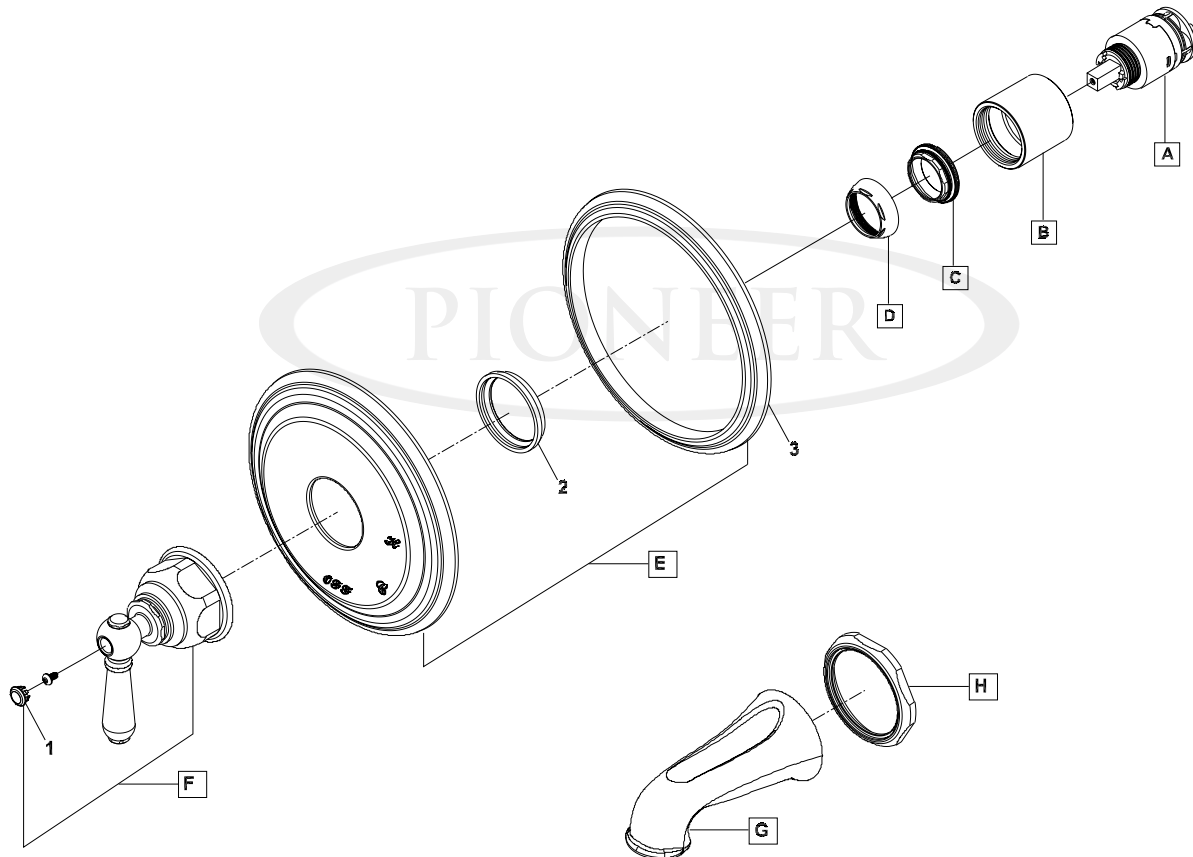
Pioneer:1-800-338-9468
 Commerce, CA 90040
 www.pioneerind.com
 Pioneer Industries, Inc. © 2013

DMPB4AM200T/REV. 12 2012

Page 1 of 2

	ITEM#	DESCRIPTION
A	X-3400007	Ceramic Disc Cartridge
B	X-4400030*	Sleeve
C	X-4400080	Lock Nut
D	X-4200001*	Retainer Cap
E	X-6400007*	Face Plate
F	X-1400029*	Lever Handle
G	X-6400022*	Tub Spout
H	X-4400065*	Escutcheon
1	X-4900042P*	Hole Cover
2	X-4400021	Gasket
3	X-4400022	Face Plate Rubber Gasket

* Note- Please specify finish\color code while ordering.



Product Diagram



ENGINEERING EXCELLENCE

Pioneer: 1-800-338-9468
 Commerce, CA 90040
 www.pioneerind.com
 Pioneer Industries, Inc. © 2013