



## ENGINEERING EXCELLENCE

### Installation Guide

#### Two Handle Lavatory Faucet:

- 3CB100\*
- 3CB101\*
- 3PR100\*
- 3AM100\*
- 3BR100\*
- 3BR110\*
- 3BR120
- 3BR130\*
- 3BR200\*
- 3BR210\*
- 3BR220
- 3BR230\*
- 3BR300\*
- 3BR310\*
- 3BR320
- 3BR330\*
- 3MT100\*
- 3MT110\*

#### This product meets the following standards:

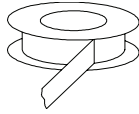
- ASME A112.18.1
- ANSI A117.1
- ANSI / NSF 61, SECTION 9
- CUPC / IAPMO LISTED / \*ADA COMPLIANT
- CONTAINS NO MORE THAN 0.25% WEIGHTED AVERAGE LEAD CONTENT

*Thank you for purchasing this Pioneer quality product.*

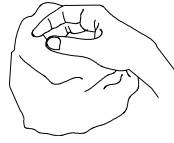
## Tools Required



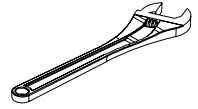
Plumbers Putty



Sealant Tape



Rags



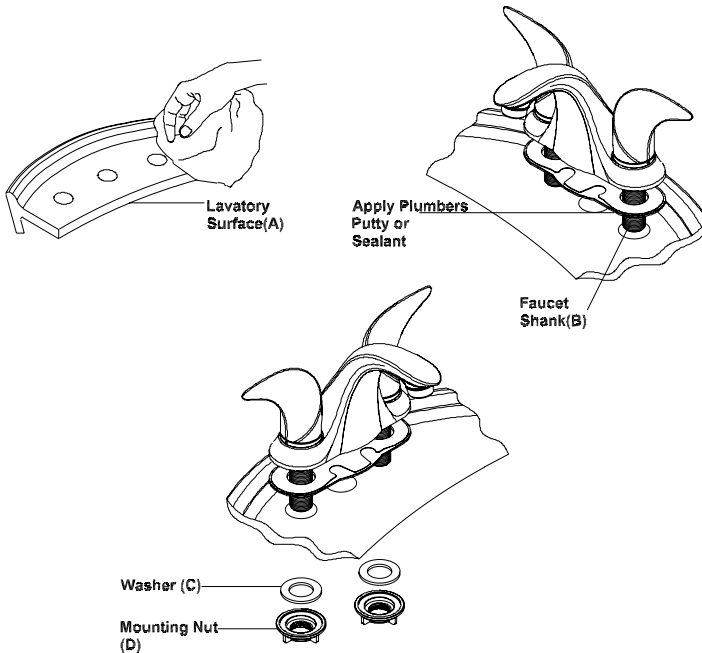
Adjustable-  
Wrench

## Prior to Installation

- Observe all local plumbing and building codes before you begin installation.
- Carefully shut off both hot and cold water supplies from under the sink.
- Plug the sink drain with a soft cloth to prevent intrusion of debris or the loss of any faucet parts.
- For replacement installations, carefully remove the existing faucet and clean the entire surface of the sink mounting holes.
- Pioneer reserves the right to make changes in the design of faucets without notice as specified in the pricebook.

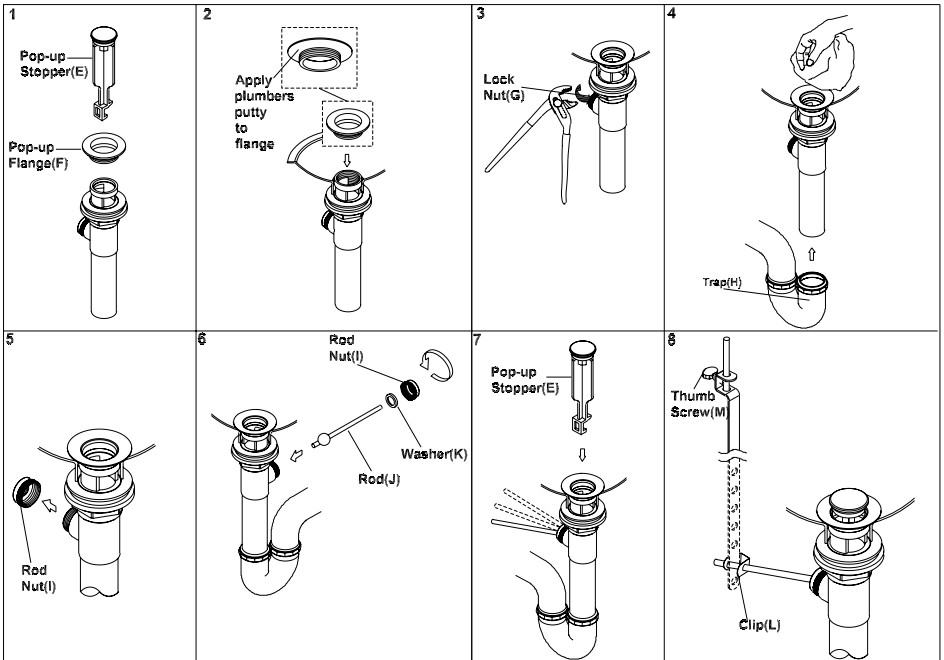
## Faucet Installation

- Clean lavatory surface (A) from oil, grease or debris.
- Apply adequate amount of plumbers putty or sealant underneath of base plate.
- Lead the faucet shank (B) through faucet holes.
- Slide the mounting washers (C) through faucet shank (B).
- Thread and hand tighten the mounting nut (D) through faucet shank (B). Make sure both side of mounting nuts (D) are securely tighten.



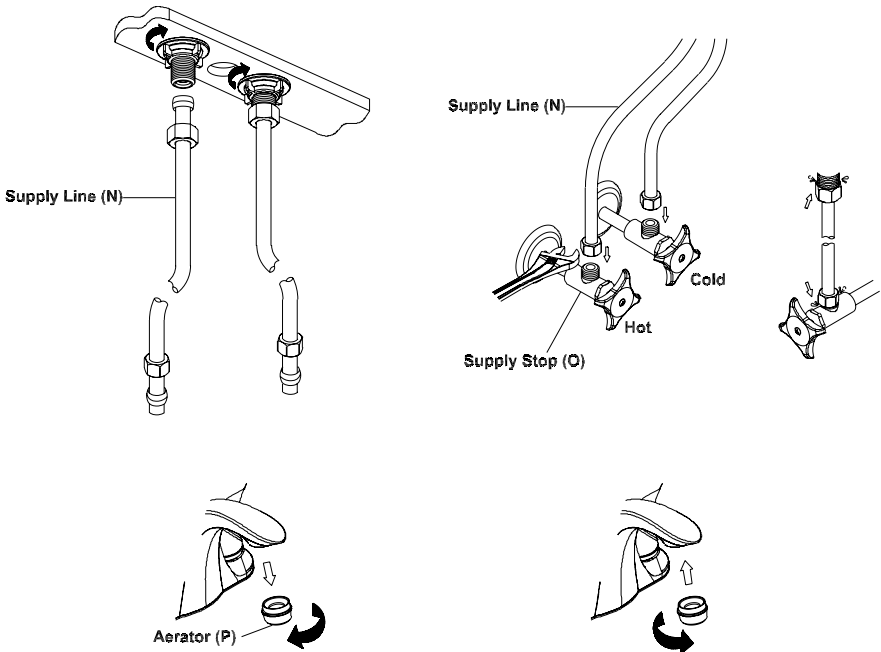
# Pop-Up Drain Installation

1. Remove the pop-up stopper (E) and pop-up flange (F) from the pop-up assembly.
2. Apply adequate amount of plumbers putty underside of pop-up flange (F) then insert pop-up drain assembly from underside of the sink and secure the pop-up flange (F) from the top.
3. Rotate the drain body so that horizontal rod hole faces back of the faucet. Hold the pop-up assembly in place and tighten the locknut (G).
4. Remove the excess putty. Connect the trap (H) (check manufacturer's instructions for installation).
5. Remove rod nut (I).
6. Ensure the washer (K) is in place (for brass pop-up only). Insert rod (J). Tighten the rod nut (I).
7. Push rod down to open drain. Insert the pop-up stopper (E) carefully. Test if the pop-up stopper (E) is working properly.
8. Connect pop-up bracket to the rod using clip (L). Tighten the thumbscrew (M) to connect pop-up bracket to pop-up lift rod.



## Main Supply Connection

- Connect the faucet shank to inlet supply lines (N). Connect the supply stops (O) to the inlet supply lines (N) (left is hot water supply and right is cold water supply). Make sure inlet supply lines (N) are securely tighten. Do not overtighten.
- Turn on water. Check for any leaks. Make sure all the connections are secure.
- Remove aerator (P).
- Open the handle.
- Flush and allow water to run at full flow for at least one minute.
- Replace aerator (P).



For more care information or trouble shooting inquiries about your Pioneer product, please see the contact information on the back page.



ENGINEERING EXCELLENCE

3325 S. Garfield Ave | City of Commerce, CA 90040  
Telephone: (800) 338-9468 | (323) 888-8873 | Fax: (323) 888-9515  
Hours: M - F, 7:30am to 5:00pm PST