



# ENGINEERING EXCELLENCE

Brentwood Series #3BR430

PARTS BREAKDOWN SHEET

### DESCRIPTION

- Two Handle Lavatory Wide-spread Faucet
- Beaux Lever Handles
- Rigid J Style Spout
- 4-9/16" Reach, 4-1/2" from Deck to Aerator
- Ceramic Disc Cartridges
- 3-Hole 6" to 16" Installation
- Brass Pop-Up Drain Assembly
- Includes Spout and Valve Escutcheons

### FINISHES

- PC PVD Polished Chrome
- BN PVD Brushed Nickel
- PN PVD Polished Nickel
- PB PVD Polished Brass
- ORB Oil Rubbed Bronze



#3BR430 SHOWN \* ADA 

### STANDARDS APPLICABLE

- ASME A112.18.1
- ANSI A117.1
- ANSI / NSF 61, SECTION 9
- CUPC / IAPMO LISTED / ADA COMPLIANT
- CONTAINS NO MORE THAN 0.25% WEIGHTED AVERAGE LEAD CONTENT

### FLOW

- Aerator Limited to 1.5 GPM

Model #: \_\_\_\_\_

Specific Features: \_\_\_\_\_

Project Name: \_\_\_\_\_

Submitted For: \_\_\_\_\_

Model	Description	Finishes	
#3BR430	Two Handle Lavatory Widespread Faucet	<input type="checkbox"/> PC	<input type="checkbox"/> Other ____



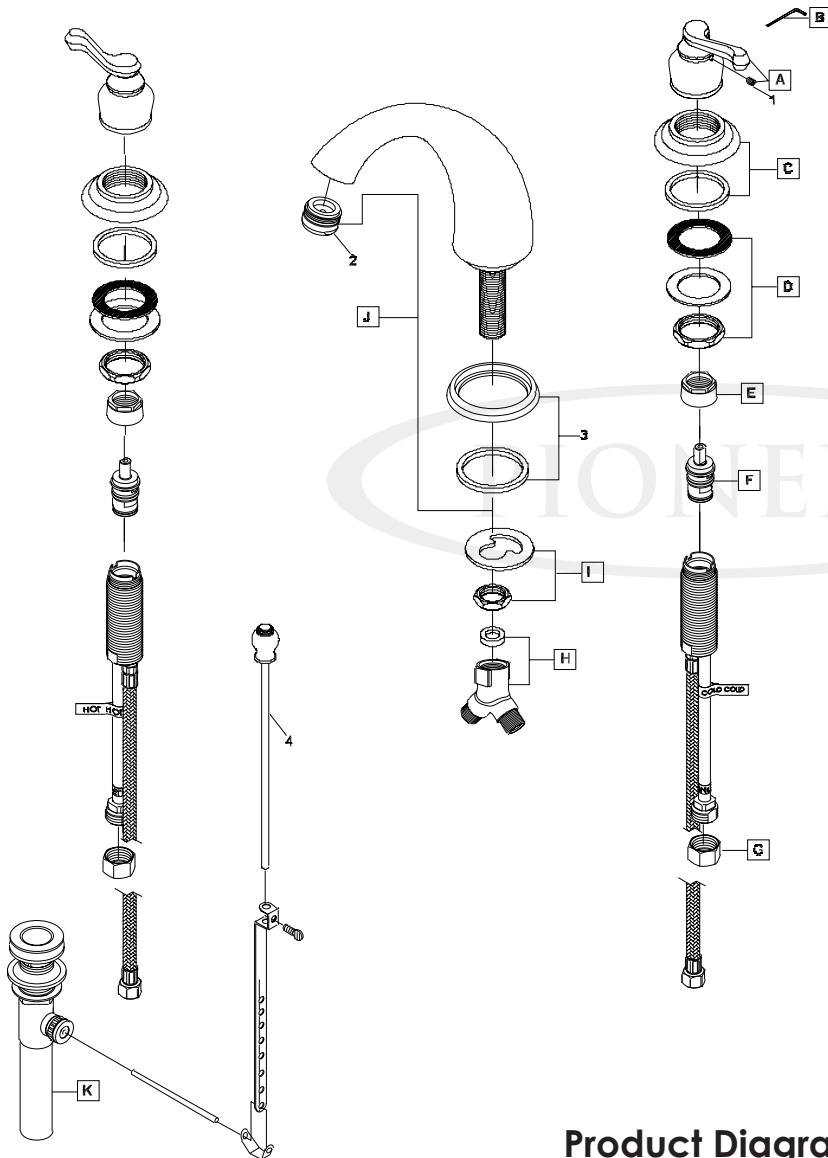
ENGINEERING EXCELLENCE

Pioneer: 1-800-338-9468  
 Commerce, CA 90040  
 www.pioneerind.com  
 Pioneer Industries, Inc. © 2013

DMPB3BR430/REV. 12 2012  
 Page 1 of 2

	ITEM#	DESCRIPTION
A	X-1900012C,H*	Beaux Lever Handle-Cold,Hot
B	X-4900024	3/32" Allen Wrench
C	X-4900063*	Valve Escutcheon
D	X-5900001	Mounting Kit
E	X-4900022	Bonnet Nut
F	X-3900002C,H	Ceramic Disc Cartridge-Cold,Hot
G	X-4900004	Supply Nut
H	X-4300011	'Y' Connector
I	X-5300003	Spout Mounting Kit
J	X-2300009*	'J' Style Spout
K	X-6300008*	Brass Pop-Up Drain Assembly
1	X-4900002	3/32" Allen Screw
2	X-4900081*	1.5 GPM Aerator
3	X-4300035*	Spout Escutcheon
4	X-4300045*	Pop-Up Lift Rod

\* Note- Please Specify finish\color code while ordering.



Product Diagram



ENGINEERING EXCELLENCE

Pioneer:1-800-338-9468  
 Commerce, CA 90040  
 www.pioneerind.com  
 Pioneer Industries, Inc. © 2013