



# ENGINEERING EXCELLENCE

Del Mar Series #4DM610T

PARTS BREAKDOWN SHEET

### DESCRIPTION

- Two Handle Roman Tub Trim Set
- Metal Lever Handles
- Rigid C Style Spout
- 7-1/2" Reach
- 3-Hole 8" to 16" Installation

### FINISHES

- PC PVD Polished Chrome
- BN PVD Brushed Nickel
- PN PVD Polished Nickel
- ORB Oil Rubbed Bronze
- TB PVD Tuscany Bronze



#4DM610T SHOWN \* ADA 

### STANDARDS APPLICABLE

- ASME A112.18.1
- ANSI A117.1
- CUPC / IAPMO LISTED / ADA COMPLIANT

Model #: \_\_\_\_\_

Specific Features: \_\_\_\_\_

Project Name: \_\_\_\_\_

Submitted For: \_\_\_\_\_

Model	Description	Finishes
#4DM610T	Two Handle Roman Tub Trim Set	<input type="checkbox"/> PC <input type="checkbox"/> Other____
Required Valve		
#4300B	Two Handle Roman Tub Valve Set	<input type="checkbox"/> N/A



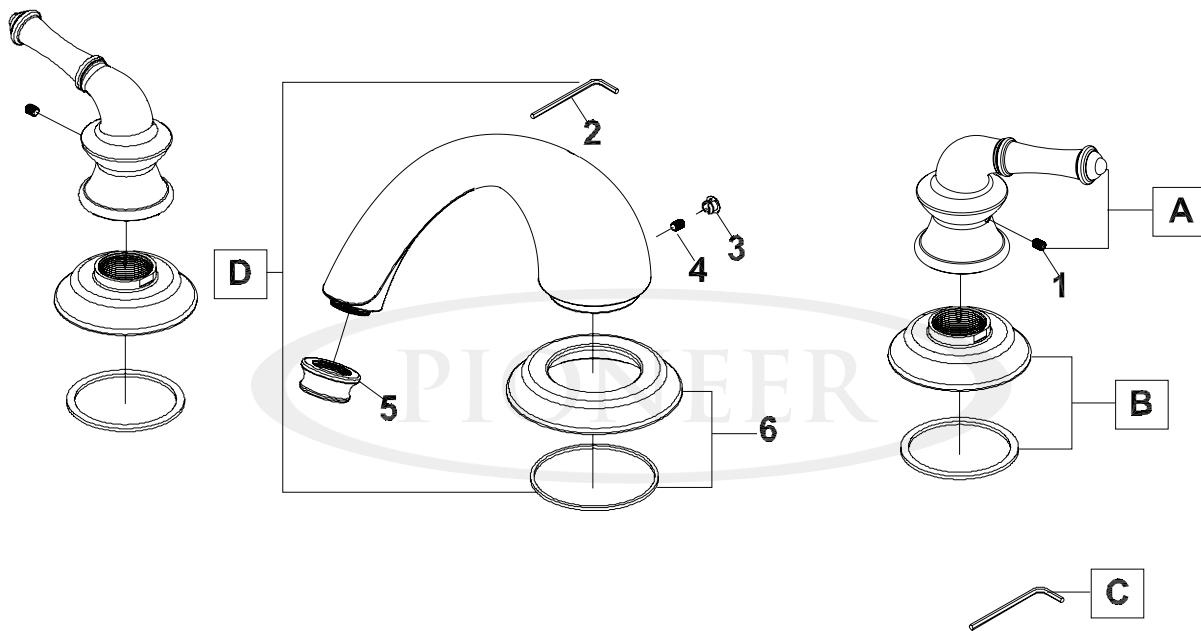
ENGINEERING EXCELLENCE

Pioneer: 1-800-338-9468  
 Commerce, CA 90040  
 www.pioneerind.com  
 Pioneer Industries, Inc. © 2013

DMPB4DM610T/REV. 12 2012  
 Page 1 of 2

	ITEM#	DESCRIPTION
A	X-1400002*	Metal Lever Handle
B	X-4400014*	Handle Escutcheon
C	X-4900024	3/32" Allen Wrench
D	X-2400003*	Del Mar 'C' Spout
1	X-4900002	3/32" Allen Screw
2	X-4900026	1/8" Allen Wrench
3	X-4400017*	Spout Hole Cover
4	X-4400018	1/8" Allen Screw
5	X-4400016*	Flow Streamer
6	X-4400015*	"C" Spout Escutcheon

\* Note- Please specify finish/color code while ordering.



Product Diagram



ENGINEERING EXCELLENCE

Pioneer: 1-800-338-9468  
 Commerce, CA 90040  
 www.pioneerind.com  
 Pioneer Industries, Inc. © 2013