


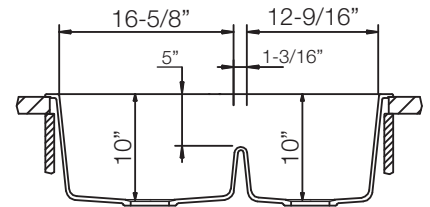
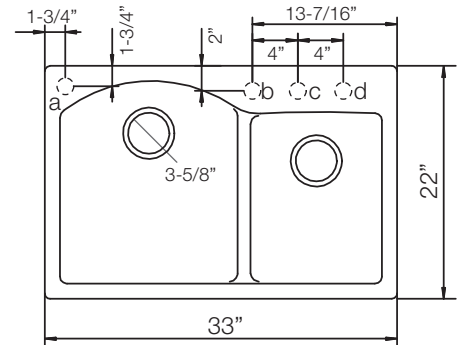
EDO N-175

FEATURES

- Available in CRISTADUR® and CRISTALITE+®
- **ProHygienic 21** - Non-porous finish leaves no place for bacteria to thrive
- **Food-safe** - due to patented **ProHygienic 21**
- **Stain-resistant** - Food stains cannot stick
- **Heat Proof** - Not temperature sensitive (+535°F)
- Pre-scored faucet holes (4)
- 3 times harder than natural granite
- cUPC certified
- Available in 14 colors
- Limited Lifetime Warranty
- Made in Germany 



MEASUREMENTS IN INCHES

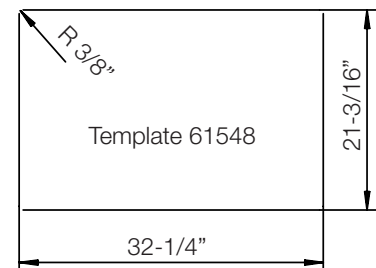
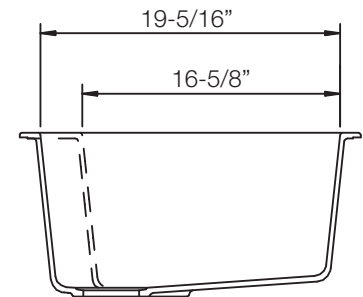


CRISTADUR®

Magma (097) Metallic	Stone (088) Metallic	Acai (080) Metallic	Chocolate (086) Metallic	Bronze (087) Metallic	Earth (082) Metallic	Polaris (099) Solid
Nero (013) Solid	Onyx (010) Metallic	Basalt (041) Solid	Copper (009) Solid	Mocha (063) Solid	Concrete (042) Solid	Everest (026) Solid

CRISTALITE+®

Fits 36" Cabinet	Bowls 10" Depth	Large Bowl 19-5/16" x 16-5/8"	Small Bowl 16-5/8" x 12-9/16"
Overall 33" x 22"	Topmount	Faucet holes 1-3/8"	3-5/8" Drain Hole



Installation Notes:
Countertop manufacturer or fabricator must use the cut-out template provided with the product and compare it with the physical product. SCHOCK NORTH AMERICA is not responsible for errors made when incorrect template is used.

SPECIFICATION SUBMITTAL

PROJECT NAME: _____

ARCHITECT/ENGINEER: _____

CONTRACTOR: _____

MODEL: **EDON175T** _____ (COLOR CODE). QTY: _____

NOTES: _____
