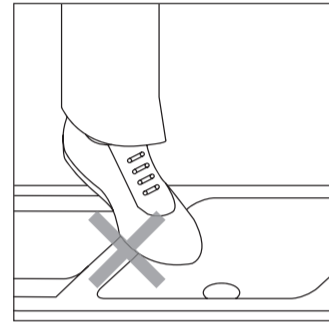
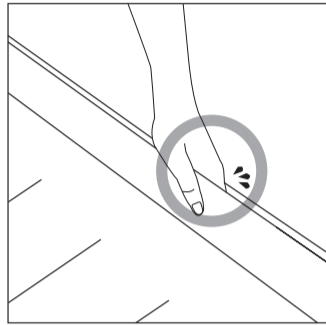
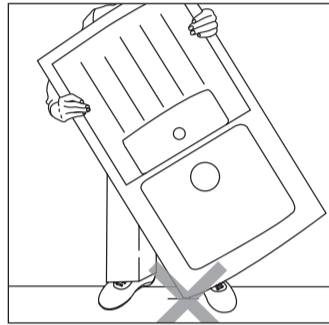
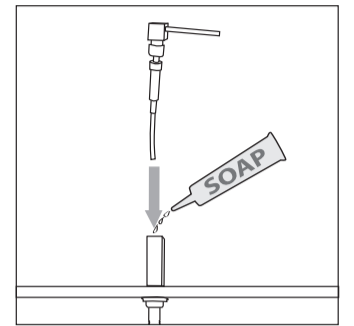
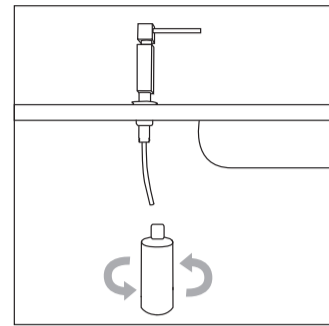
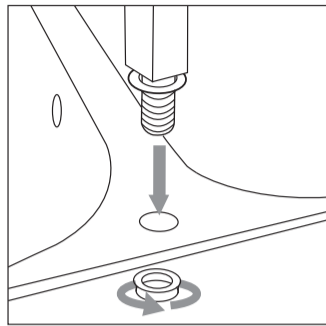
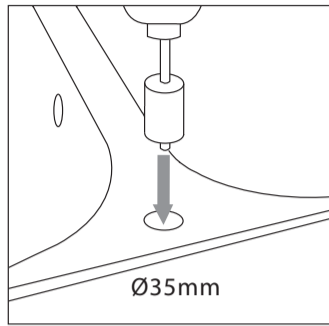
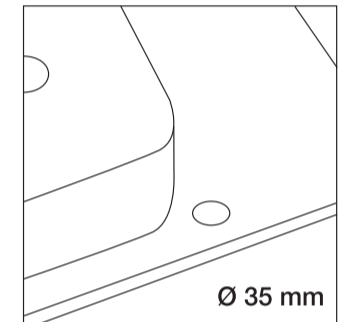
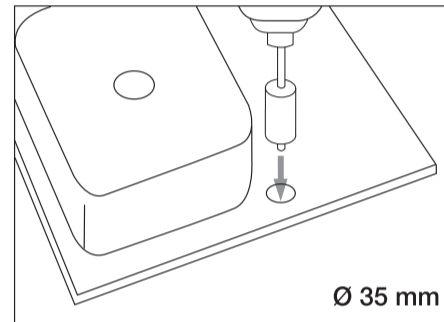
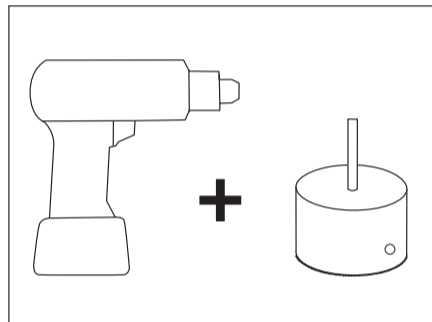
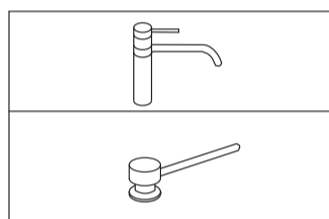


SCHOCK

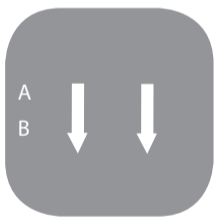
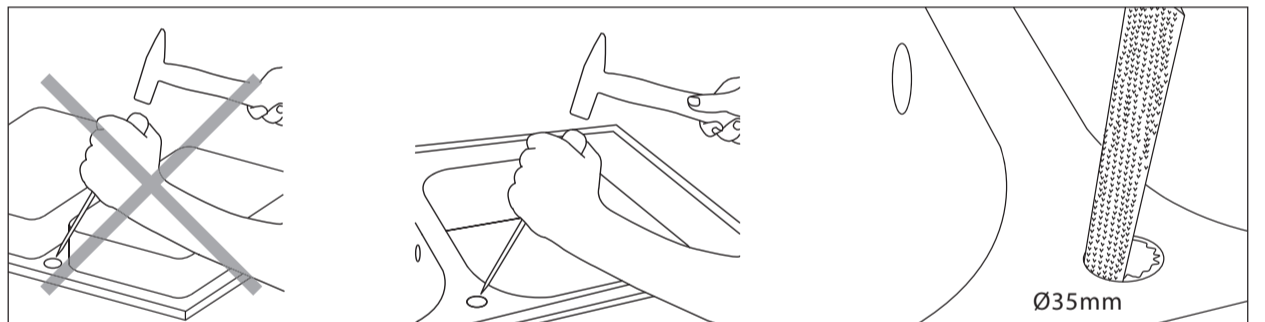
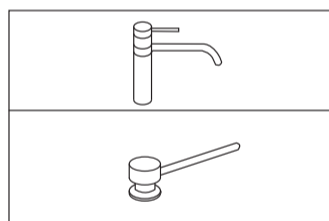
NORTH AMERICA



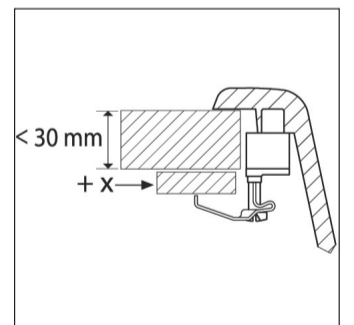
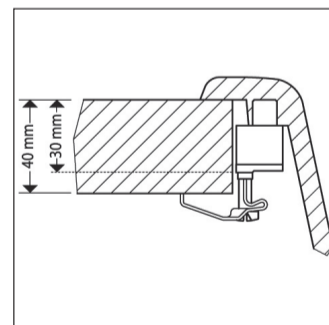
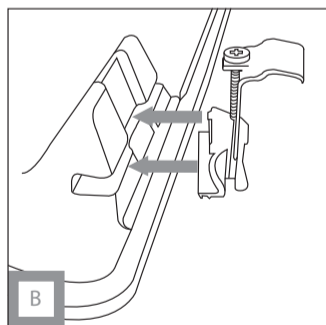
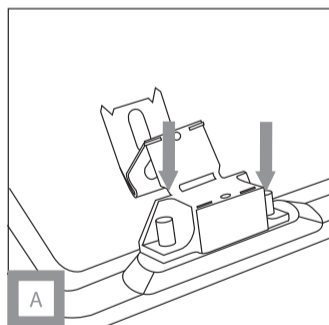
Faucet/Dispenser Hole Drilling
*recommended



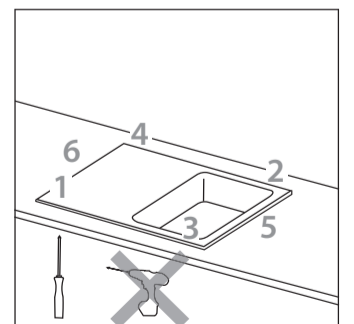
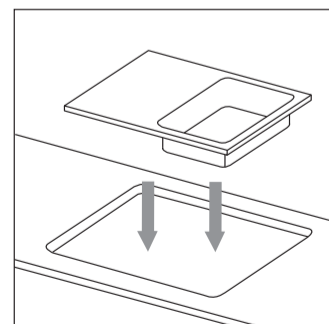
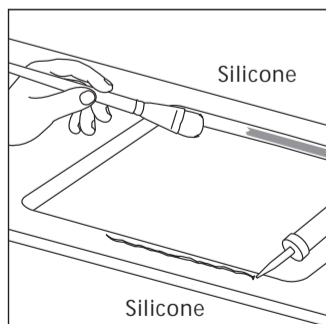
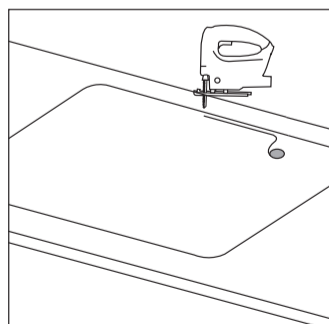
Faucet/Dispenser Hole Knock Out



Topmount Clip installation



Topmount Sink installation



Undermount Sink Installation

