

► **Code Number**

3070802

► **Description**

Exposed, Water Closet Flushometer for top inlet squat toilets.

► **Flush Cycle**

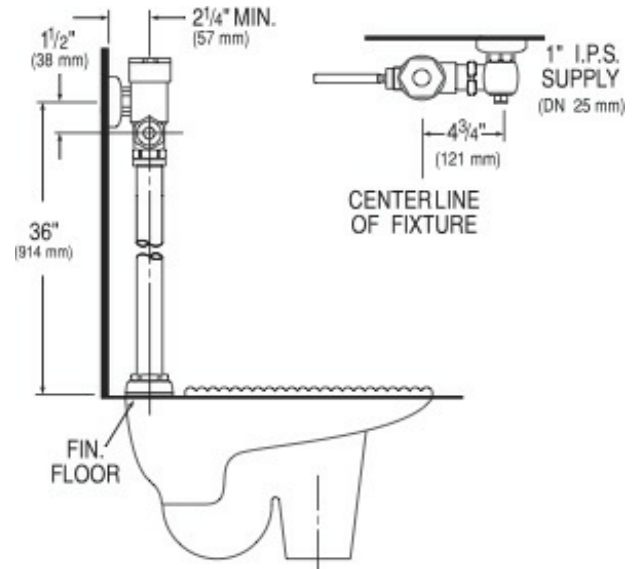
1.6 gpf/6.0Lpf

► **Specifications**

- Quiet, Exposed, Piston Type, Chrome Plated Closet Flushometer with the following features:
- Non-Hold-Open Handle and No External Volume Adjustment to Ensure Water Conservation
- ADA Compliant Metal Oscillating Non-Hold-Open Handle
- Vacuum Breaker Flush Connection
- Fixed Volume Piston with Filtered O-ring Bypass
- Handle Packing, Stop Seat and Vacuum Breaker Molded from PERMEX® Rubber Compound for Chloramine Resistance
- Spud Coupling, Wall and Spud Flanges for 1½" Top Inlet
- Valve Body, Cover, Tailpiece and Control Stop shall be in conformance with ASTM Alloy Classification for Red Brass. Valve shall be in compliance to the applicable sections of ASSE 1037 and ANSI/ASME 112.19.2.
- 1" I.P.S. Screwdriver Bak-Chek® Angle Stop with Free Spinning Vandal Resistant Stop Cap

► **Accessories (Sold Separately)**

See Accessories Section of the Sloan catalog for available accessories



► **Compliance & Certifications**



**Made In The
USA**



This space for Architect/Engineer Approval