

Hydraulic Flushometer Push Button Actuator

HY-72-A

Side Wall (SW Variation)



Description

Side Wall (SW) Push Button Assembly for use with Sloan Series 900 Hydraulic Flushometers. Recommended for installation where access behind the wall is not available. Installation requires electrical box with cover plate (not supplied by Sloan).

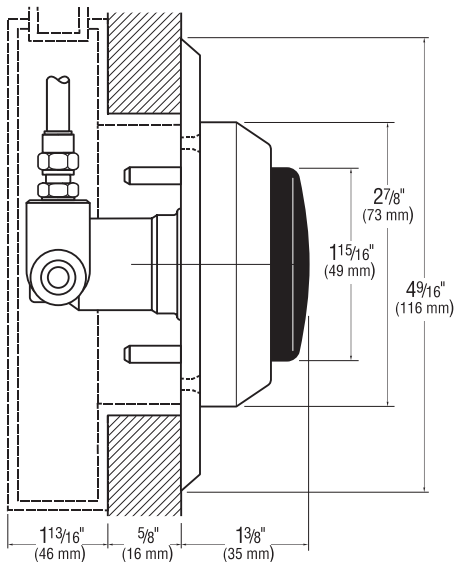
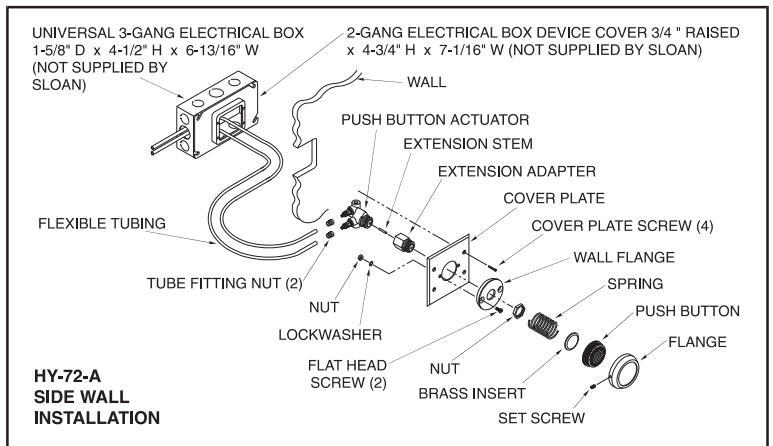
Specifications

Hydraulically Operated Push Button Assembly that includes the following features:

- ADA Compliant Non-Hold-Open feature type Actuator
- Large diameter, Spring Loaded Button
- Mounting fasteners for installation on 2-gang electrical box cover plate
- Two 84" (2.13 m) long flexible tubing for connection to Sloan Series 900 Hydraulic Flushometer

Installation requires 3-gang Electrical Box (6¹³/₁₆" long x 4¹/₂" wide x 1⁵/₈" deep) and 2-gang Cover Plate (3/4" raised max. x 4³/₄" high x 7¹/₁₆" long) - NOT supplied by Sloan.

See Hydraulic Flushometer Specification pages in this section for details on Hydraulically Operated Flushometers.



Listed by I.A.P.M.O.

This space for Architect/Engineer approval

The information contained in this document is subject to change without notice.

SLOAN

Made in the U.S.A.

SLOAN VALVE COMPANY • 10500 SEYMOUR AVE. • FRANKLIN PARK, IL 60131
PHONE: 1-800 982-5839 • FAX: 1-800 447-8329 • <http://www.sloanvalve.com>