

Molding and Rosettes Installation Care and Cleaning

Model TC-6072-TR
(for bathtub installation)

Model TC-105-TR
(for shower installation)

Included in Kit:
TC-6072-TR

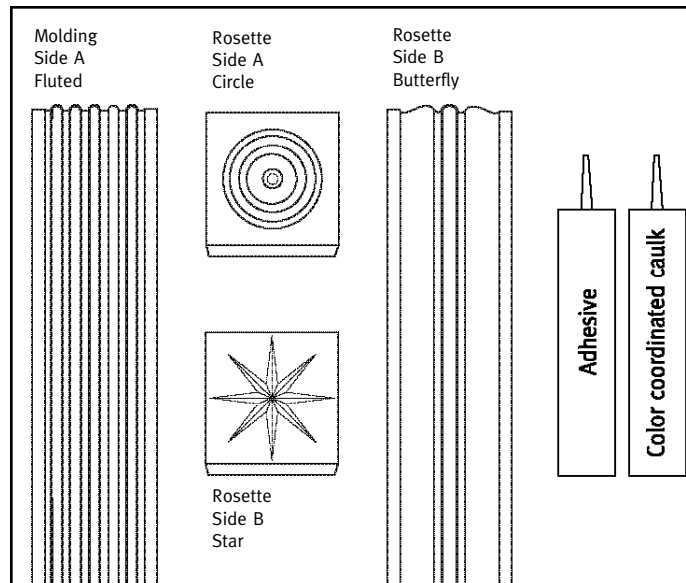
- Three molding pieces
3 3/4" wide x 105" high
- Four rosettes 4" x 4"
- One tube adhesive
- One tube color coordinated caulk

TC-105-TR

- Four molding pieces
3 3/4" wide x 105" high
- Four rosettes 4" x 4"
- one tube adhesive
- one tube color coordinated caulk

Tools Required:

Tools needed are a saber saw, drill, ruler, level, masking tape, and caulking gun.



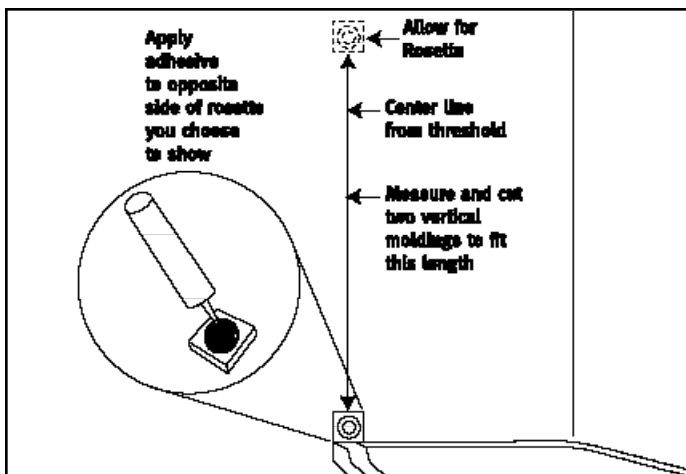
If you have selected a Swanstone solid surface wall panel to complement this application, install the molding and rosettes first. Prior to installing the moldings and rosettes, keep in mind the size limits of the wall that you are installing. After you have installed the molding and rosettes, follow the installation instructions provided in the wall kit.

When installing the side walls, be aware that it will be necessary to "notch" the side wall panels around the rosettes. Take these measurements into consideration prior to final fit of the side wall panels.

Before you start

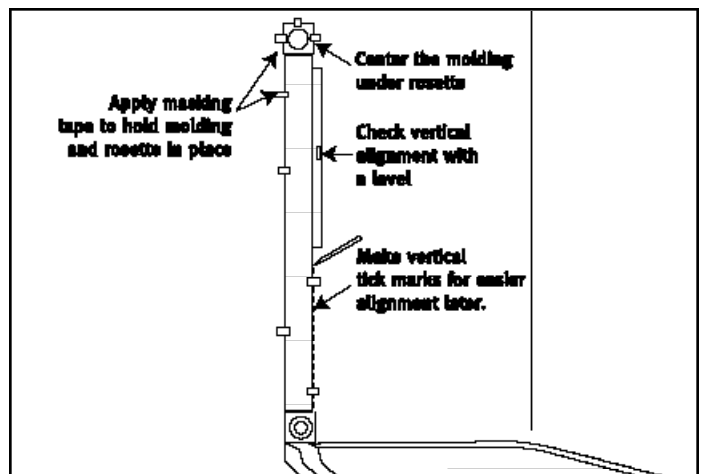
The Swanstone Molding and Rosettes may be installed over any solid surface. This product makes a beautiful casing around doors, windows, and mirrors. For the purpose of

instruction, this procedure will address an application over a bathtub or shower floor using a Swanstone wall panel. It may also be installed by itself or with other wall materials.



THRESHOLD ROSETTES

1. Choose the rosette design pattern that you wish and apply a glob of adhesive to the opposite side of the design that you select. The most desirable placement will line up the front edge of the bathtub or shower floor threshold. Follow this procedure for the application of both threshold rosettes.

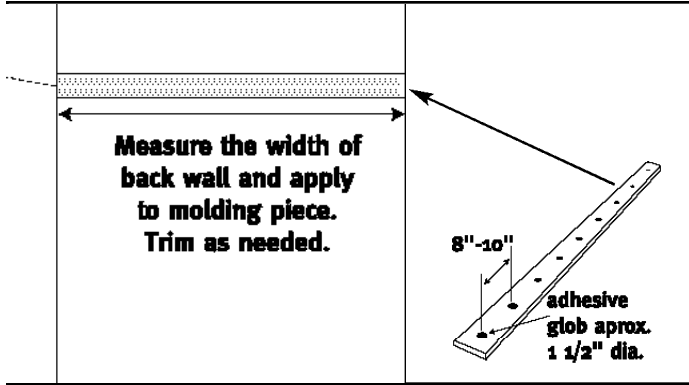


VERTICAL MOLDING & ROSETTES

Select two of the molding pieces. Measure and cut to fit the vertical application. Remember that a rosette piece will be positioned above the molding piece. Take this into consideration prior to measuring and cutting.

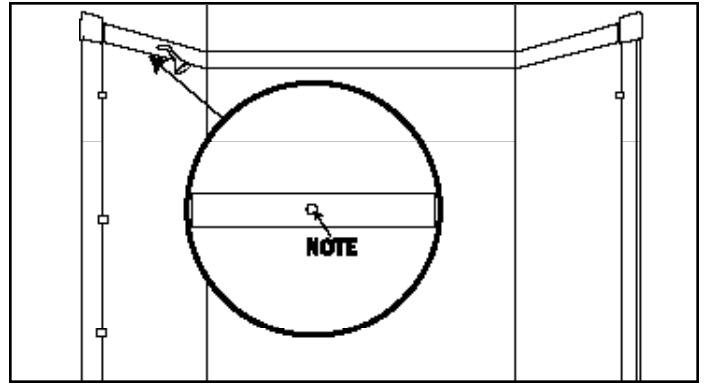
TRIAL FIT

Check with a level. Note that the molding pieces are slightly narrower than the rosettes. Therefore, the molding pieces should be centered over the bathtub or shower floor threshold rosette. Mark the location of the vertical molding with "tick" marks. These "tick" marks will be used for final fit. Temporarily secure the molding to the wall with masking tape. Select the molding design you wish and the rosette design that is consistent with the threshold rosettes, and trial fit and tape into position above the vertical molding pieces.



BACK WALL MOLDING

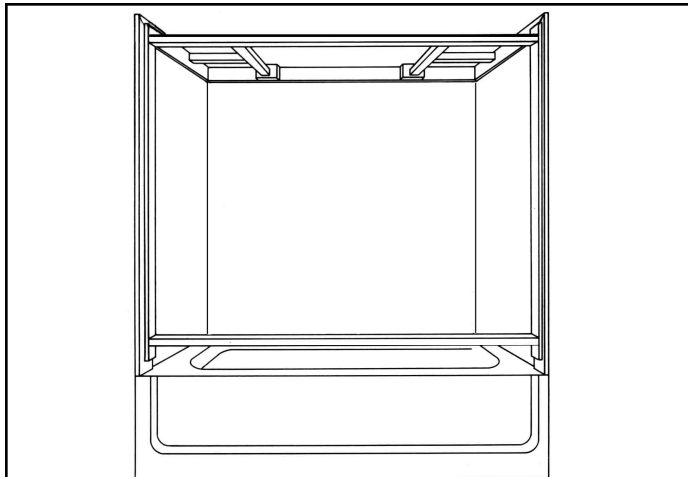
3. Transfer the width measurement of the back wall onto one of the molding pieces. Trim as needed. Choose the molding design pattern that is consistent with the vertical strips and apply "globs" of adhesive following the pattern illustrated. Final fit by setting into position. Note that the horizontal wall molding will also be centered on the rosettes atop the vertical moldings. This measurement must be considered when positioning the back wall molding.



SIDE WALLS – HORIZONTAL MOLDING

4. Transfer the measurements from the side walls onto the molding pieces. Cut as needed. Select the design that is consistent with your application. Follow the adhesive pattern in step #3 and final fit.

NOTE: It may be necessary to cut one of the side wall horizontal moldings to allow for the location of the shower arm. Measure and locate the position of the desired cut. Use router, spade bit, twist drill, or hole saw only. **DO NOT USE AUGER BITS.** Cut hole 1/2" larger than the diameter of the pipe. Drill from the exposed side of the molding.



FINAL FIT

5. Final fit the vertical moldings first, then the two rosettes. Follow the adhesive "glob" pattern used previously. Use the "tick" marks to position the vertical moldings and rosettes.

NOTE:

To promote contact until adhesive sets, use temporary bracing and allow adhesive to cure overnight. Temporary bracing may be constructed and wedged into position as illustrated by using lengths of 1 x 2's, 2 x 2's, or 1 x 3's. Lumber should be cut as needed.

POSITIVELY NO HAMMERING OR NAILING IS TO BE DONE.

CAULKING

Following instructions on the caulking tube...apply a bead of caulk along the bottom and to edge of the back and sidewalls. Also apply caulk to all vertical seams and edges.

CLEANING

Clean your Swanstone Molding and Rosettes as you would any other fine bath fixture, using normal household detergents and cleansers. Just wiping the wall surface quickly removes water-marks and residues. Occasional scrubbing with household abrasive cleansers ensures that the original luster is maintained, similar to tile and other permanent type bath fixture materials.

REPAIRING

Use 400-grit sandpaper to remove scratches and gouges in the surface. A Scotch Brite pad can be used to blend in the area.