



Installation, Care and Cleaning Model WB-2218 Palladio

Tools Required:

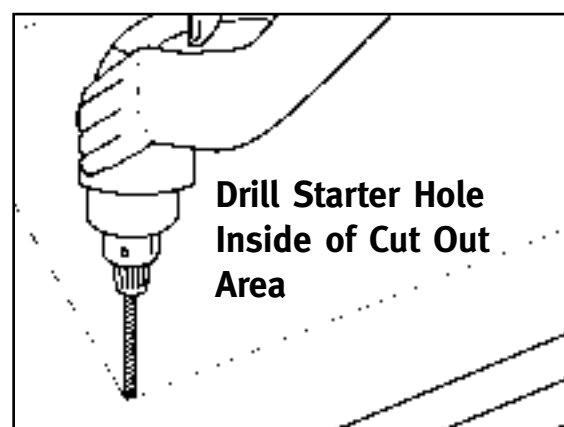
- Ruler/Tape Measure
- Drill
- Masking Tape
- Safety Glasses
- Screwdriver
- Saber Saw
- Caulk/Silicone Adhesive

NOTE:
 DEPENDING ON THE SURFACE THAT YOU WILL BE MOUNTING THIS PRODUCT INTO, YOU WILL NEED THE NECESSARY TOOLS REQUIRED TO CUT INTO THAT SURFACE.

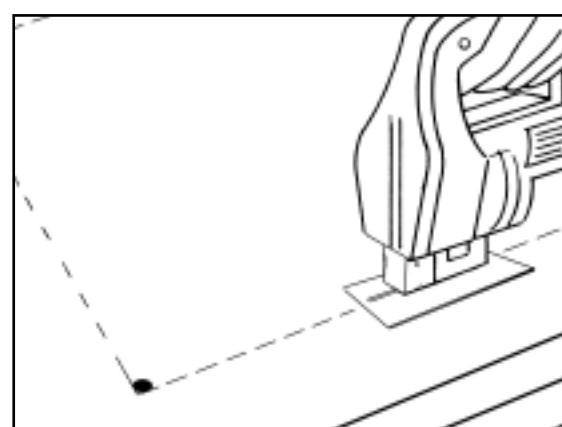
You will need tools required to install a faucet. Check the faucet manufacturer's installation procedure. If you will be mounting the faucet into the Swanstone, you will need a 1/4" drill bit and a 1-1/4" router, spade bit, twist drill or hole saw.



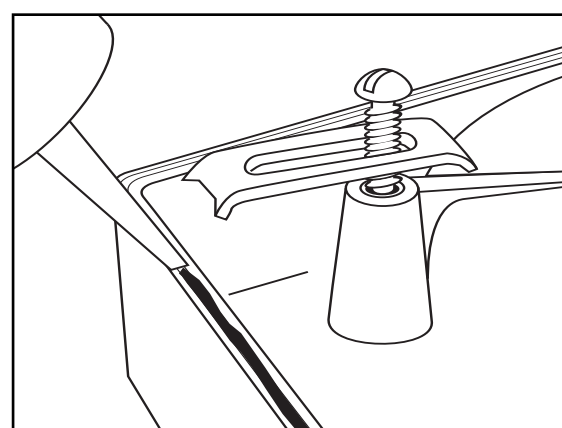
1. Cut out the inside of the template. Locate the template front to rear and right to left on the countertop. Make sure that the bowl location will not interfere with the cabinet below or the plumbing. Attach the template to the countertop with masking tape and draw a pencil line around the inside of the template.



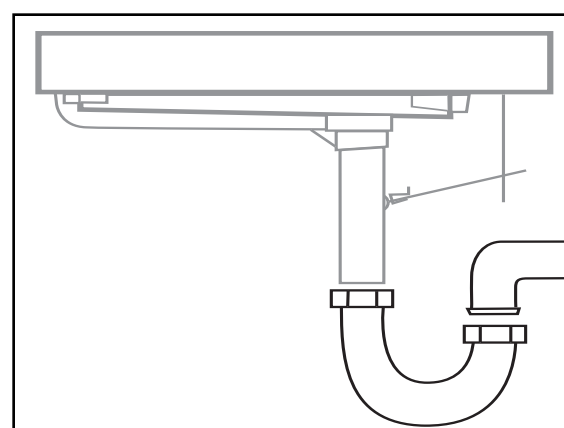
2. Drill a starter hole inside of the cutout line.



3. Using a saber saw, cut inside of the cutout line. Trial fit to check for proper fit.



4. For final fit, apply a bead of caulk (not included) to the underside of the sink flange and position onto the countertop opening. First, tighten screws in front, and then tighten rear screws.

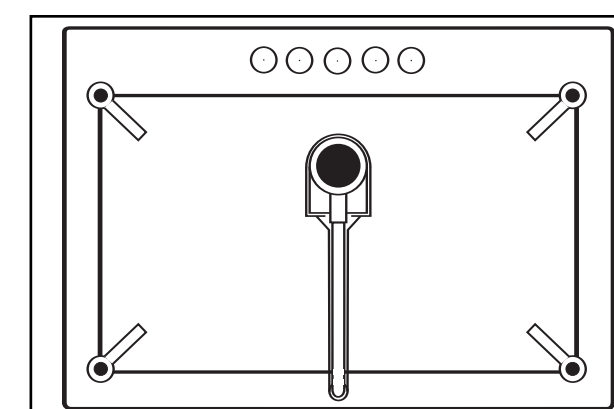


5. Connect all faucet supply lines and drain fittings per manufacturer's instructions.

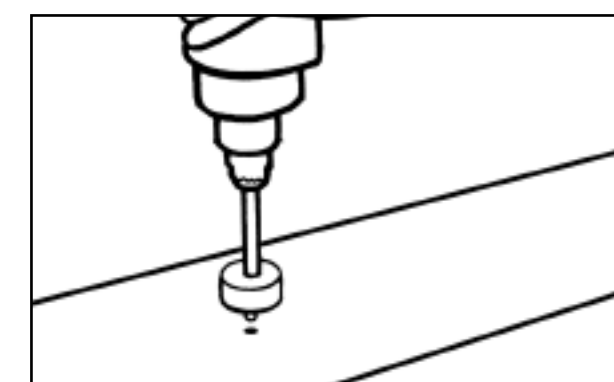
Instructions For Drilling Into The Swanstone Product

NOTE

If you will be installing a faucet into this Swanstone product, model WB-2218, you will need to follow this procedure. The Swanstone bowl comes with standard hole patterns. Locate the desired drill points and with a 1/4" bit, drill a pilot hole from the underside.

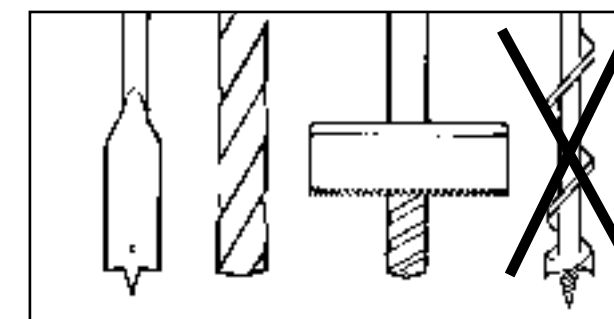


Drill fixture holes from the top with a 1-1/4" router, spade bit, twist drill or hole saw. Faucets may be installed at this time.



IMPORTANT
 USE ROUTER, SPADE BIT, TWIST DRILL OR HOLE SAW ONLY.

CAUTION
 DO NOT USE AN AUGER BIT.



RECOMMENDED CLEANING PROCEDURE FOR SWANSTONE SOLID SURFACE

Hard to Remove Stains

1. Abrasive cleaners such as Ajax, Comet, Bon Ami or Bar Keeper's Friend.
2. The use of an abrasive pad such as "Scotch-Brite."
3. For the most stubborn stains, fill the Swanstone vanity bowl about one-quarter full with a 50/50 solution of bleach and water. After ten or fifteen minutes of soaking, drain solution from the bowl as you wash and rinse both sides and bottom.

NOTE: DO NOT USE STEEL WOOL OR METAL SCOURING PADS.

Mineral Based Stains

Cleaners designed to remove iron or rust should not harm Swanstone.

Marks or Discoloration

WHITE automotive rubbing compound may be used to remove stubborn marks or discoloration.

Scratches

Use sandpaper starting with 150 grit followed by 220 grit and then 320 grit. Finally, blend area in using a Scotch-Brite pad until scratch disappears.

NOTE: FOR SWANSTONE GRANITES, use #9 Fine Finishing Film for final blending. Use Paste Wax to restore color.

Use of these products will not damage the Swanstone solid surface. Always follow label directions. If these methods fail to produce acceptable results, contact the Swan representative in your area.