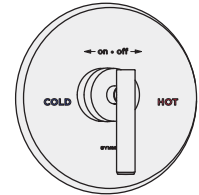


Location:



Shower System 3501-CYL Specification Submittal



Standard Feature Highlights

- Symmons Shower System with Symmons Temptrol® pressure-balancing mixing valve with adjustable stop screw to limit handle turn
- Screwless escutcheon with red and blue lettering
- Cylinder (CYL) style lever handle
- Showerhead, single mode #352SH
- Mounting bracket and flange for showerhead
- Standard flow rate is 2.5 gpm (9.5 L/min)
Optional lower flow rate restrictor available
- Polished chrome finish (standard)

Model Numbers

- 3501-CYL
Shower System with Symmons Temptrol® mixing valve, p/n 4000-BODY
- 3501-CYL-TRM
Trim only, valve must be ordered separately
- 4000-BODY
Symmons Temptrol® mixing valve without trim
- 4000-X-BODY
Symmons Temptrol® mixing valve without trim. Valve includes integral service stops to allow water shut-off for service

Handle Options / Modifications

Append appropriate -suffix to model number



- LR Lever handle
- LP Loop style lever handle

Options / Modifications

Append appropriate -suffix to model number

- IPS IPS connections: 1/2 inch female IPS connections on Temptrol® mixing valve
- X Service Stops: Temptrol® mixing valve includes integral service stops to allow water shut-off for service, p/n 4000-X-BODY (Option applies when ordering 3501-CYL)
- 2.0 Flow rate restrictor, 2.0 gpm (7.6 L/min)
- 1.5 Flow rate restrictor, 1.5 gpm (5.7 L/min)
- L/HD Showerhead not included, Mounting bracket and flange are included
- 352SH-3 Showerhead is three-mode in place of standard single mode
- B Metal escutcheon
- ETCH Escutcheon with black & white lettering

Finish Options / Modifications

Append appropriate -suffix to model number

- Polished chrome (standard finish)

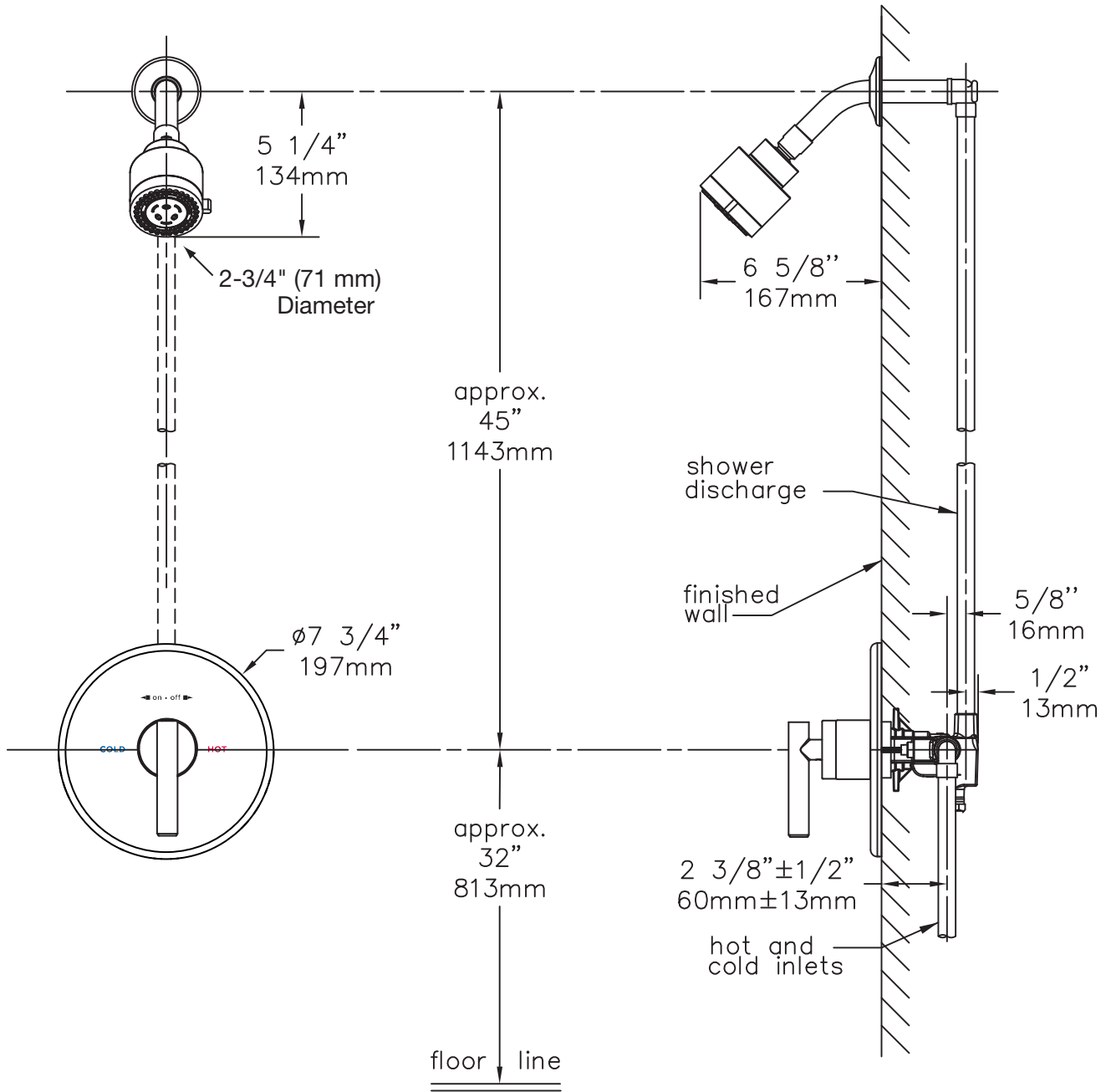
Standards / Certifications

ASME A112.18.1-2005/CSA B125.1-05

Warranty

- Limited Lifetime - to the original end purchaser in consumer installations
- 5 years - for commercial installations

Dimensions *Dia Shower System, 3501-CYL*



Symmons Industries, Inc. ■ 31 Brooks Drive ■ Braintree, MA 02184
 (800) 796-6667, (781) 848-2250 ■ Fax (800) 961-9621, (781) 664-1300
 Website: www.symmons.com ■ Email: customerservice@symmons.com

© 2010 Symmons Industries, Inc. Printed in U.S.A. ■ ZV-856 ■ 062210

