

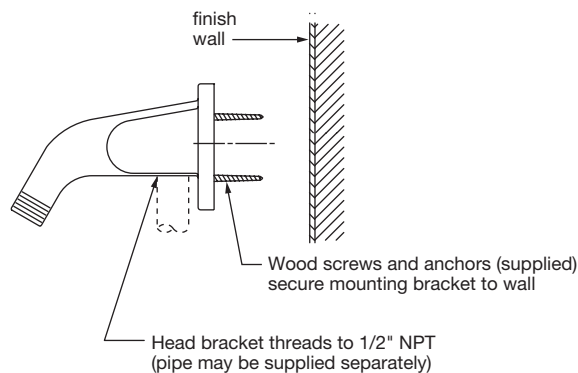
## 4-445

**Symmons** extended shower head mounting bracket with exposed bottom inlet.

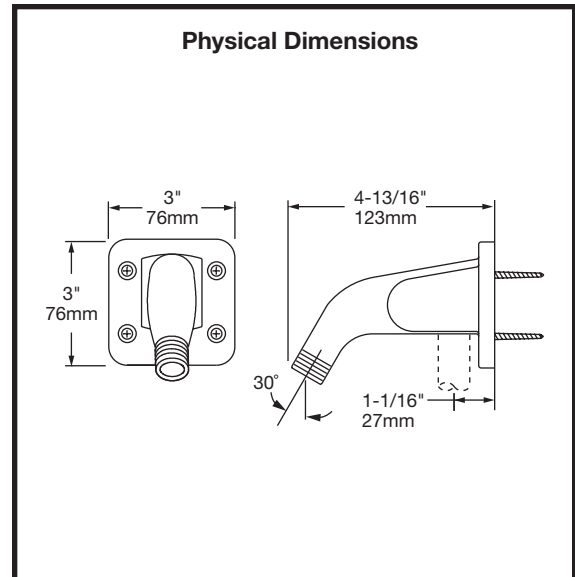
**Suffix A:** Anchor plate to simplify mounting on ceramic tile

**Suffix B:** Back plate and thru bolts for extra thick wall

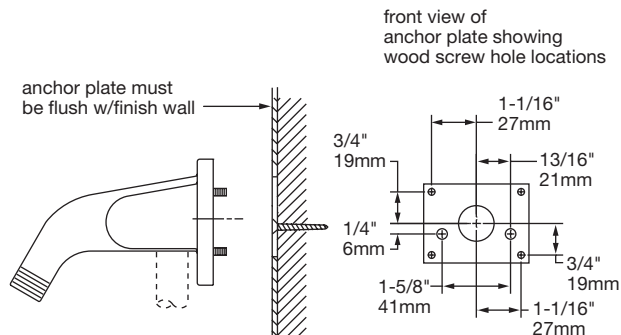
### Standard Installation



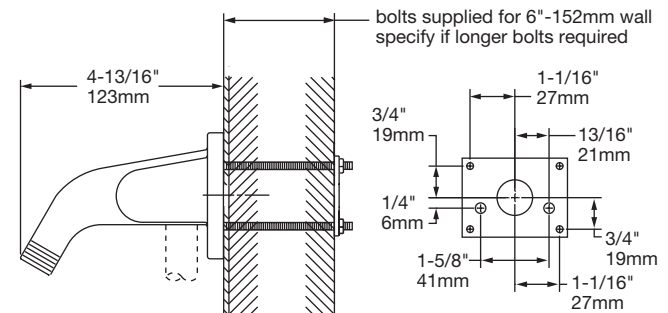
### Physical Dimensions



### Installation with Anchor Plate — Suffix "A"



### Installation with Back Plate — Suffix "B"



Anchor plate used for ceramic tile application—plate screws to wall and tile is applied up to sides of plate. Mounting bracket is mounted on finished wall with machine screws into anchor plate