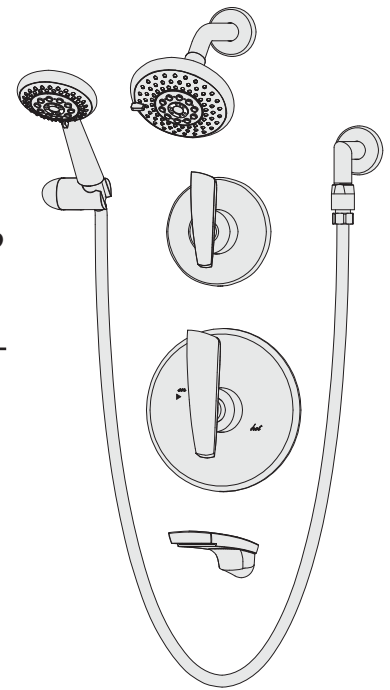




SYMMONS® Naru™

Tub & Shower System with hand shower 4106

Specification Submittal



Feature Highlights

- Symmons tub and shower system with lever handles.
- Symmons Temptrol® pressure balancing mixing valve with adjustable stop screw to limit handle turn.
- Separate triple outlet lever diverter valve
- Wall/hand shower with 5 foot flexible metal hose, in-line vacuum breaker, wall connection and cradle for hand shower mounting
- Shower head with mounting bracket
- Flow rate 2.5 gpm (9.5 L/min) for both shower head and hand shower
- Tub spout
- Metal construction with polished chrome finish

Model Numbers

- 4106.....Tub and Shower System with Symmons Temptrol® pressure balancing mixing valve p/n 4000-BODY and triple outlet diverter p/n 4-460E-BODY
- 4106-TRM.....Trim only, valve and diverter must be ordered separately
- 4000-BODY.....Symmons Temptrol® pressure balancing mixing valve without trim
- 4000-X-BODY.... Symmons Temptrol® pressure balancing mixing valve without trim. Valve includes integral service stops to allow water shut-off for service.
- 4-460E-BODY.... Symmons triple outlet diverter valve without trim

Finish Options

Append appropriate -suffix to model number.

- STN Satin nickel finish
- PNL Polished nickel finish

Options / Modifications

Append appropriate -suffix to model number.

- IPS 1/2 inch female IPS connections on Symmons Temptrol® mixing valve
- X Symmons Temptrol® pressure balancing mixing valve includes integral service stops to allow water shut-off for service, p/n 4000-X-BODY. (Option only applies when ordering model 4106.)

Standards / Certifications

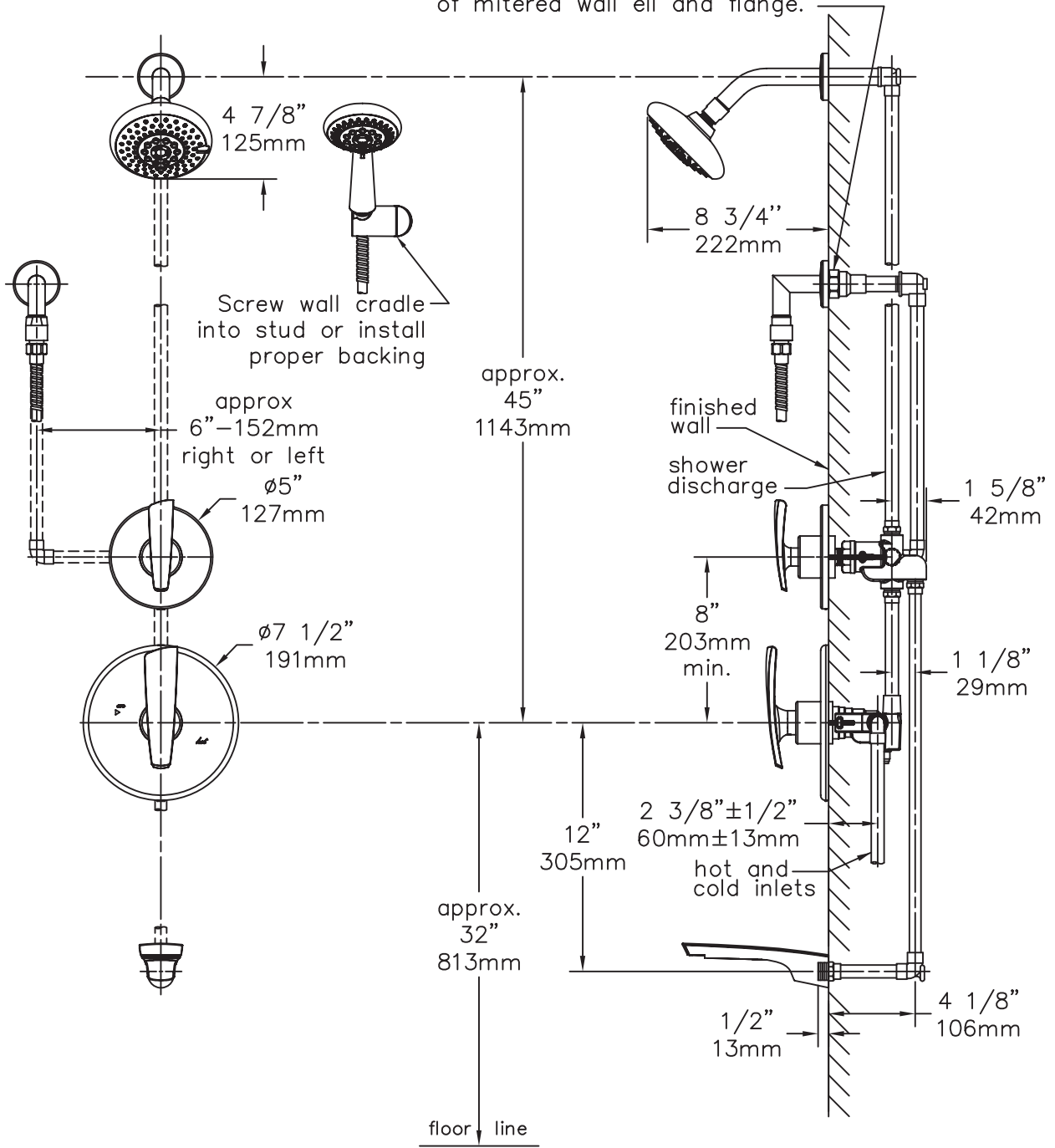
ASME A112.18.1-2005/CSA B125.1-05

Warranty

- Limited Lifetime - to the original end purchaser in consumer installations.
- 5 years - for commercial installations

Dimensions *Naru Tub & Shower System with Hand Shower, 4106*

Female 1/2" NPT thread must be recessed 7/8" (22mm) min. 2" (51mm) max. from finished wall for proper installation of mitered wall ell and flange.



Note: Dimensions subject to change without notice.

Symmons Industries, Inc. ■ 31 Brooks Drive ■ Braintree, MA 02184
 (800) 796-6667, (781) 848-2250 ■ Fax (800) 961-9621, (781) 843-3849
 Website: www.symmons.com ■ Email: customerservice@symmons.com

©2008 Symmons Industries, Inc. Printed in U.S.A. ■ 060508

SYMMONS[®]
 the smart choice™