

Showerhead 432SH

Specification Submittal

Model Numbers

432SH..... Chrome finish
432SH-STN Satin nickel finish

Standards / Certifications

ASME A112.18.1-2005/CSA B125.1-05

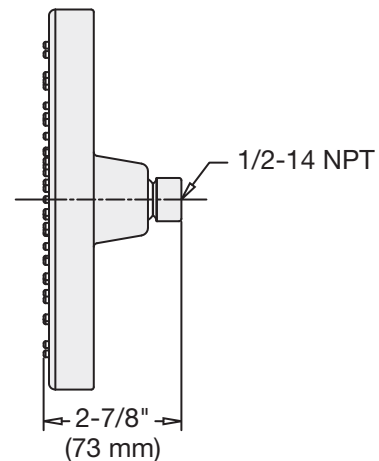
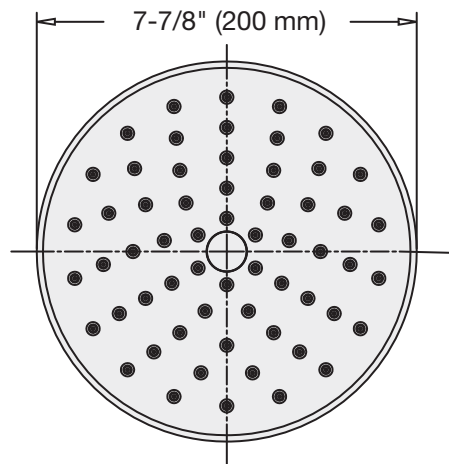
Feature Highlights

- Single mode showerhead
- Metal construction, polished chrome finish

Warranty

- Limited Lifetime - to the original end purchaser in consumer installations.
- 5 years - for commercial installations

Dimensions Showerhead, 432SH



Note: Dimensions subject to change without notice.