

SYMMONS® Carrington™

Hand Shower System 4403

Specification Submittal

Feature Highlights

- Symmons hand shower system with lever handles.
 - Symmons Temptrol® pressure balancing mixing valve with adjustable stop screw to limit handle turn.
 - Wall/hand shower with 5 foot flexible metal hose, in-line vacuum breaker, wall connection and cradle for hand shower mounting
 - Flow rate 2.5 gpm (9.5 L/min)
 - Metal construction with polished chrome finish
-

Model Numbers

- 4403Hand Shower System with Symmons Temptrol® pressure balancing mixing valve
p/n 4000-BODY
 - 4403-TRMTrim only, valve must be ordered separately
 - 4000-BODY Symmons Temptrol® pressure balancing mixing valve without trim
 - 4000-X-BODY ...Symmons Temptrol® pressure balancing mixing valve without trim. Valve includes integral service stops to allow water shut-off for service.
-

Finish Options

Append appropriate -suffix to model number.

- STN Satin nickel finish



Options / Modifications

Append appropriate -suffix to model number.

- IPS 1/2 inch female IPS connections on Symmons Temptrol® mixing valve
 - X Symmons Temptrol® pressure balancing mixing valve includes integral service stops to allow water shut-off for service, p/n 4000-X-BODY. (Option only applies when ordering model 4403.)
-

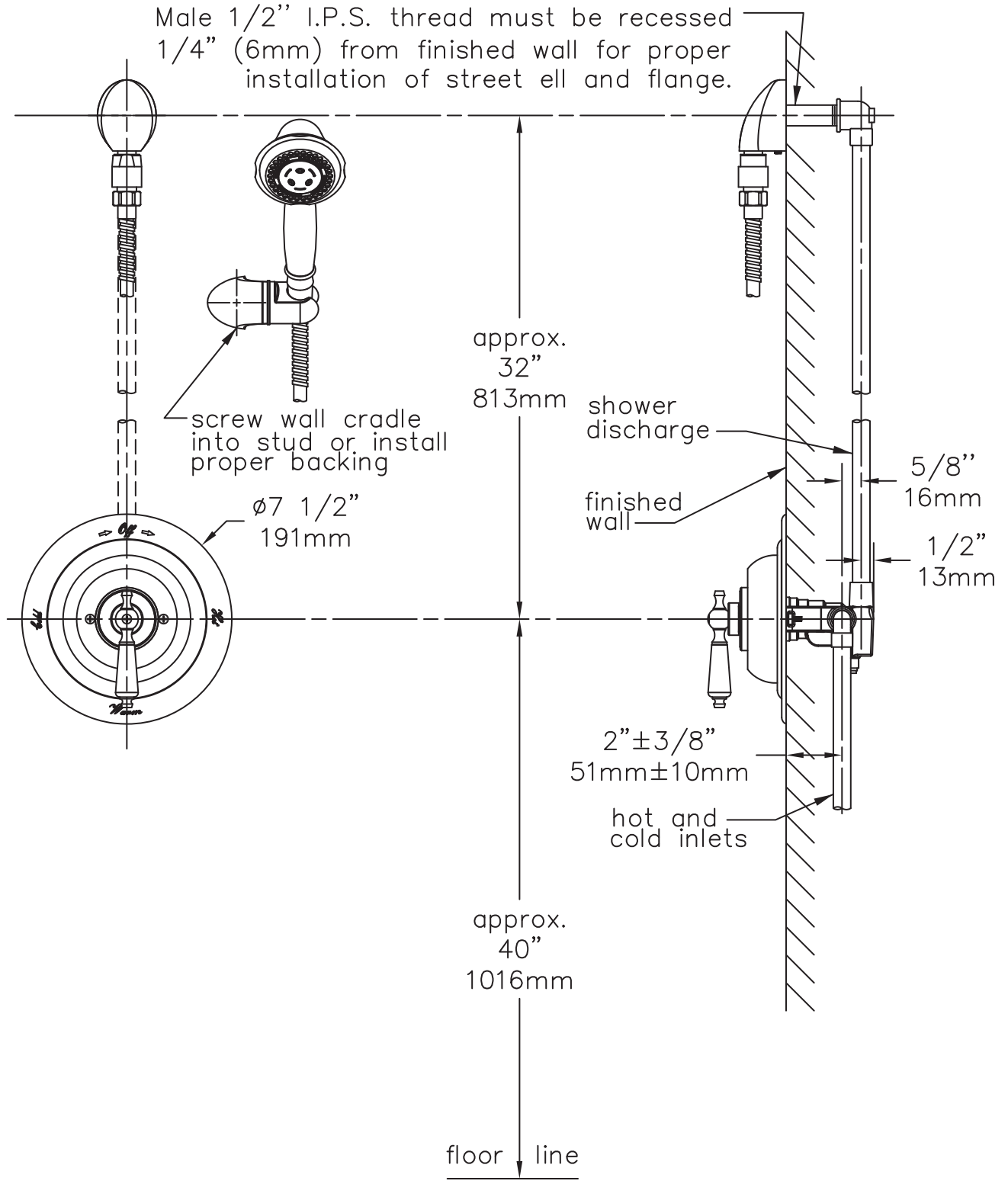
Standards / Certifications

ASME A112.18.1-2005/CSA B125.1-05

Warranty

- Limited Lifetime - to the original end purchaser in consumer installations.
- 5 years - for commercial installations

Dimensions Carrington Hand Shower System, 4403



Symmons Industries, Inc. ■ 31 Brooks Drive ■ Braintree, MA 02184
 (800) 796-6667, (781) 848-2250 ■ Fax (800) 961-9621, (781) 843-3849
 Website: www.symmons.com ■ Email: customerservice@symmons.com

©2008 Symmons Industries, Inc. Printed in U.S.A. ■ 063008

SYMMONS[®]
 the smart choice™