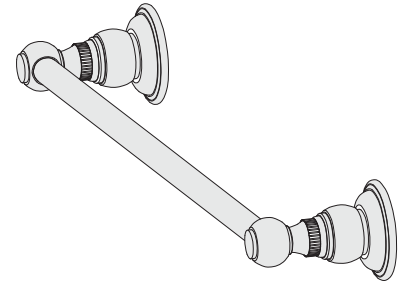




# SYMMONS® Carrington™



## 18 inch Towel Bar 443TB-18

### Specification Submittal

#### Model Numbers

- 443TB-18 18 inch Towel Bar

#### Feature Highlights

- Metal construction
- Mounting hardware included
- Standard finish is polished chrome

#### Finish Options

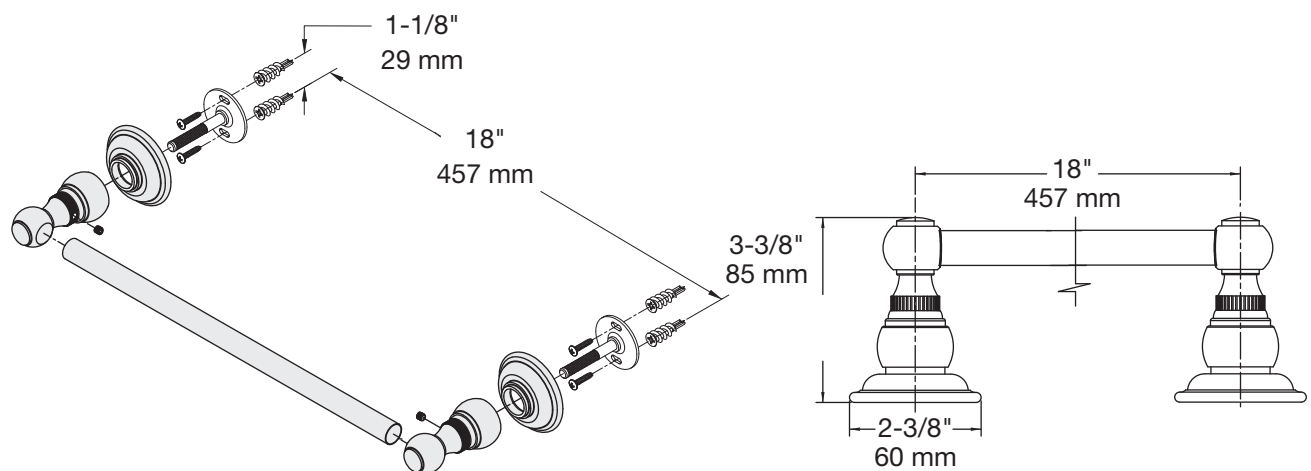
*Append appropriate -suffix to model number.*

- STN Satin nickel finish
- Polished chrome finish (standard)

#### Warranty

- Limited Lifetime - to the original end purchaser in residential/consumer installations.
- 5 years - for commercial installations

#### Dimensions Carrington 18 inch Towel Bar, 443TB-18



**Note:** Dimensions subject to change without notice.

Symmons Industries, Inc. ■ 31 Brooks Drive ■ Braintree, MA 02184  
(800) 796-6667, (781) 848-2250 ■ Fax (800) 961-9621, (781) 843-3849  
Website: [www.symmons.com](http://www.symmons.com) ■ Email: [customerservice@symmons.com](mailto:customerservice@symmons.com)

©2008 Symmons Industries, Inc. Printed in U.S.A. ■ 102008



**SYMMONS®**  
the smart choice™