



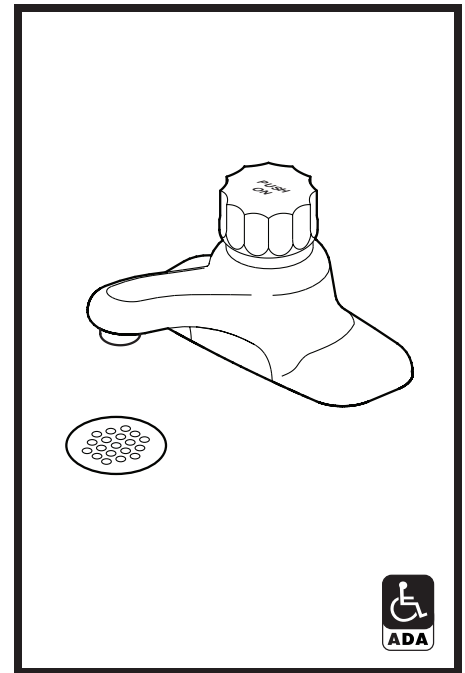
S-61 Slow-Closing Metering Lavatory Faucet

Slow-Closing metering lavatory faucet to meter a single tempered water supply. Cast brass 4" centerset with time limit stop to adjust flow time, includes an in-line check/screen assembly. Spray outlet with 0.5 gpm flow rate. Vandal resistant.

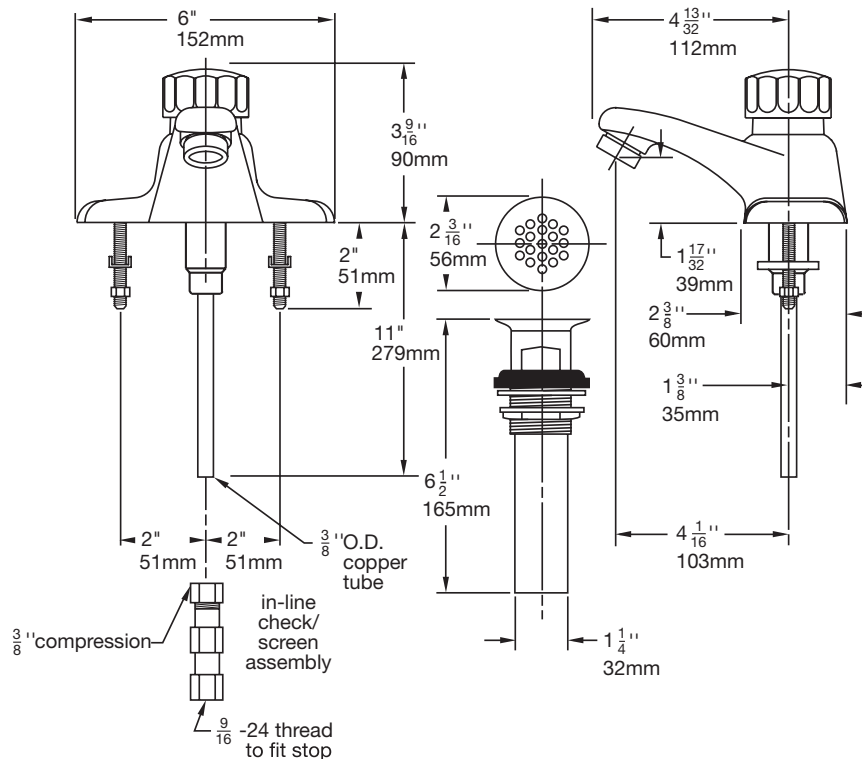
- S-61:** Faucet only
- S-61-P:** With pop-up drain assembly
- S-61-1:** With lift rod only

Modifications: Add suffix to model number:

- Suffix G:** Grid strainer drain assembly
- Suffix 1.25:** Vandal resistant aerator in place of 0.5 gpm spray outlet (1.25 GPM at 50 PSI)
- Suffix NA:** Non-aerated laminar flow outlet
- Suffix IPS:** 1/2" IPS connector
- Suffix DP:** Adaptor plate for 8" center installations
- Suffix OFG:** Offset grid strainer



**SYMMONS PRODUCTS MEET
ANSI A112.18.1M, EPA '92
AND ALL KNOWN FLOW RATE
REQUIREMENTS.
Metering Faucets
0.25 gallons per cycle (1.0 L/cycle)**



Job/Location

.....

Engineer

.....

Contractor

.....

For ADA compliance (Americans with Disabilities Act) consult ADAAG or your state regulations for proper product choice and mounting locations.

Symmons Industries, Inc. ■ 31 Brooks Drive ■ Braintree, MA 02184
 (800) 796-6667, (781) 848-2250 ■ Fax (800) 961-9621, (781) 843-3849
 Website: www.symmons.com ■ Email: customerservice@symmons.com

