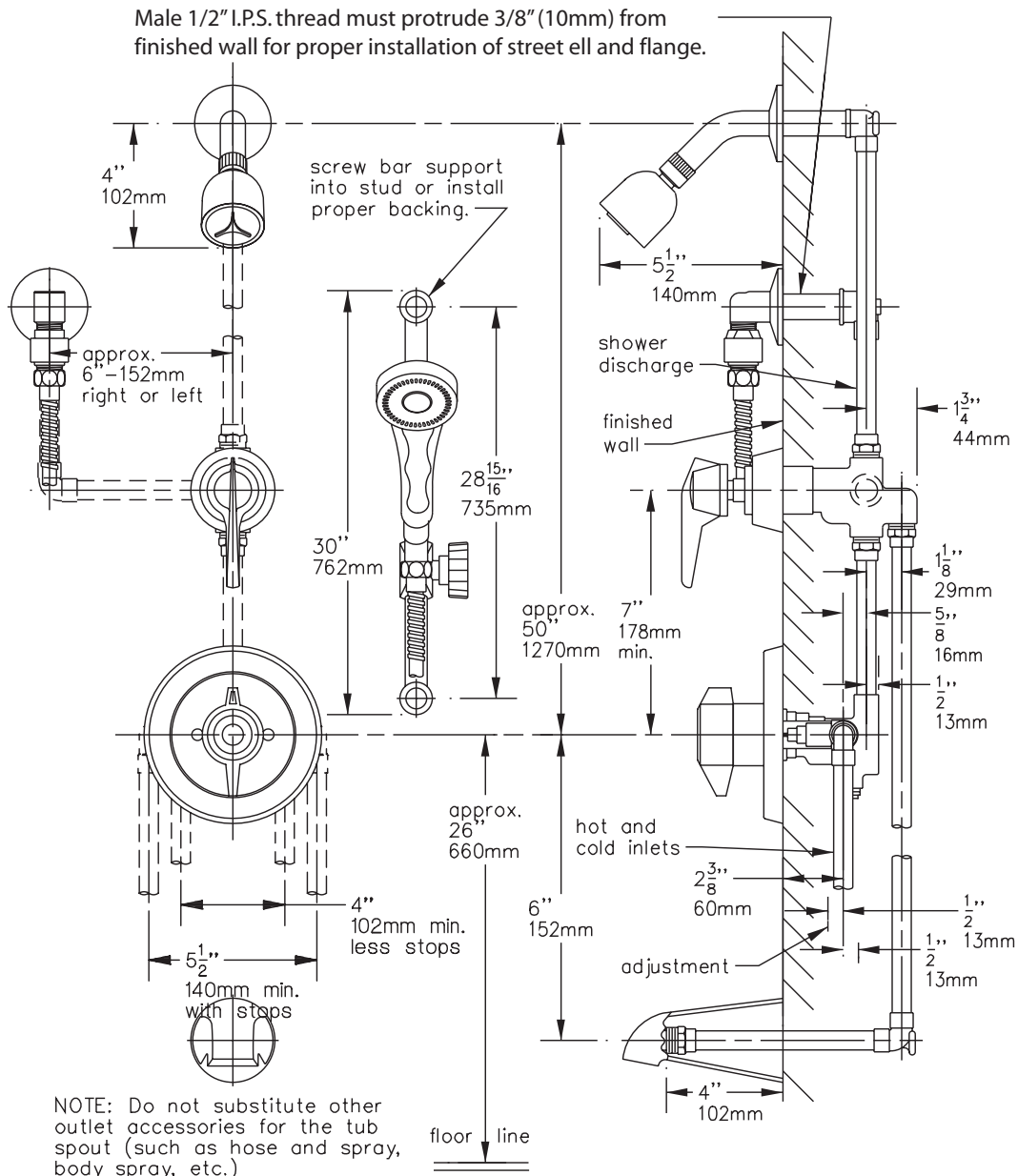


## BP-56-600-B30-V

**Temptrol II™** (BP Series) Pressure Balancing mixing valve with built-in choke, adjustable stop screw to limit handle turn. Lever diverter with integral volume control. Clear-Flo shower head with arm and flange. Tub spout. Wall/hand shower with 5' flexible metal hose, in-line vacuum breaker, wall connection and flange. 30" slide bar for hand shower mounting.

**Suffix Suffix X:** Integral service stops—allows water shut-off at valve for service



This drawing to be used for rough-in installation only. All floor to center dimensions optional. Concealed piping and fittings not furnished by manufacturer. For ADA compliance (Americans with Disabilities Act) consult ADAAG or your state regulations for proper product choice and mounting locations. For complete installation, adjustment and service information see installation instructions.

Symmons Industries, Inc. ■ 31 Brooks Drive ■ Braintree, MA 02184  
 (800) 796-6667, (781) 848-2250 ■ Fax (800) 961-9621, (781) 843-3849  
 Website: [www.symmons.com](http://www.symmons.com) ■ Email: [customerservice@symmons.com](mailto:customerservice@symmons.com)

©2003, 2008 Symmons Industries, Inc. Printed in U.S.A. ■ 050808

**SYMMONS**<sup>®</sup>  
 the smart choice™