

# SYMMONS® Symmetrix®

## Lavatory Faucet S-254 Series

### Installation and Service Instructions



#### INSTALLATION:

**Caution: Be sure to turn off hot and cold water supplies before installing or servicing faucet.**

1. Push valve bodies through holes in sink from underneath. Make sure mounting nuts (RT-103N) are on underside of sink. Valve marked Hot is on the left and Cold is on the right. Put gasket (LN-129) over valve body. Thread escutcheon (LN-128) onto valve bodies. The top of the valve spindle should measure 1-7/8" from mounting surface (See rough in drawing).
2. Thread collar (LN-112 or LN-111) on to valve body until it reaches the escutcheon (LN-128). Tighten mounting nuts from underneath sink.
3. Standard or LWG handle installation: Place bushing (LN-115) on valve spindle. Turn valves to off position (CR style: turn clockwise; LWG, LCF, LPO, LAM, and standard style: turn hot clockwise, turn cold counterclockwise). Place handle (LN-131) on bushing. Thread screw (LN-146 or LN-121) into valve and push plug button (T-33R and T-33B) into top of handle. CR, LCF, LPO and LAM handle installation: Place lever part of handle on valve spindle and thread screw (LN-121 or LN-134) into valve.
4. Swivel spout option: Place spout assembly (LN-200) in centerbody (LN-197). Thread nut (LN-199) onto centerbody (LN-197). Rigid spout option: Thread screw (LN-205) into the bottom of the spout assembly (LN-200). Place spout assembly (LN-200) in center body (LN-197). Thread nut (LN-199) onto center body (LN-197).
5. Drop assembled center body and spout through center hole of deck.

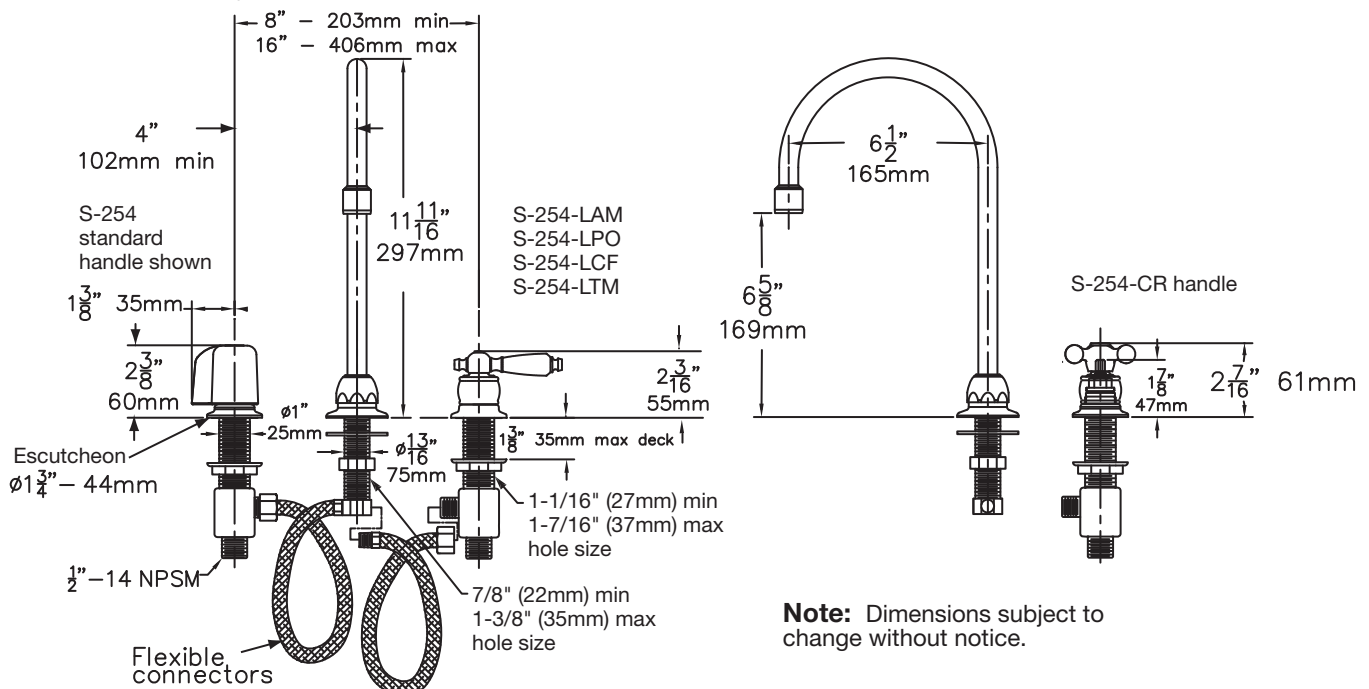
Secure assembly to sink using nut (SPF-26) and washer (LN-138).

6. Thread adapter (LN-189) onto the end of the center body (LN-197). Thread flex hoses (LN-157) into center body using pipe dope or teflon tape on the pipe threads. Thread flex hoses (LN-157) into center body. Thread other end to valve bodies. Note: The adapter can be backed off a full turn to allow better positioning on the flex hoses.
7. Connect hot supply to left tube and cold supply to right tube using appropriate connectors.
8. It is very important to thoroughly flush the supply lines to prevent foreign matter, i.e. copper chips, sand, stones, etc. from damaging the sealing surfaces of cartridge. Remove aerator and open hot and cold to full open then open both supplies. Let water run through hot and cold long enough to flush supply lines thoroughly. Shut off faucet and replace aerator. Check for leaks.

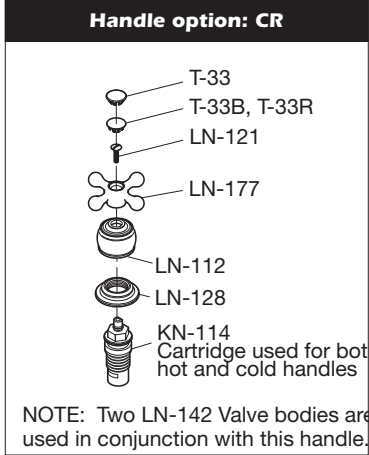
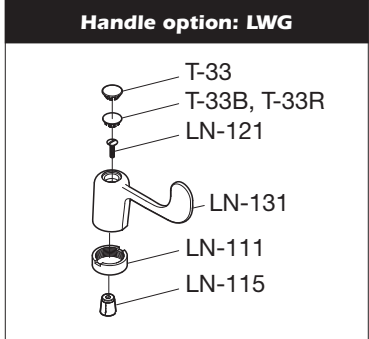
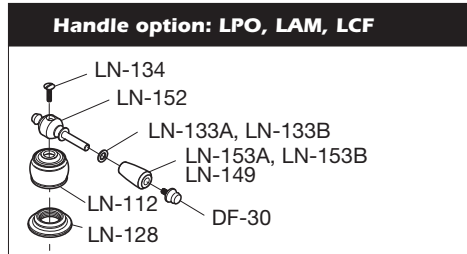
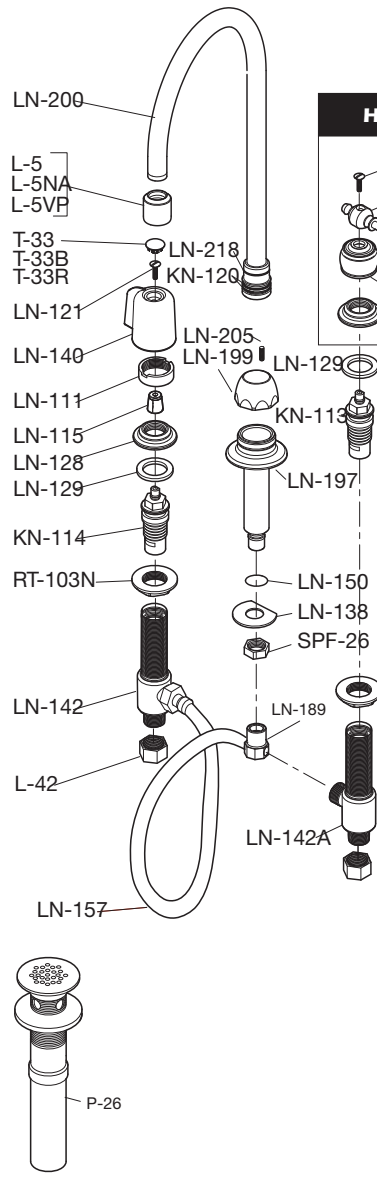
#### Cartridge Replacement (KN-113 or KN-114):

1. Remove plug button (T-33, T-33R or T-33B), loosen Philip head screw (LN-121) and remove handle, (LN-131 or LN 152).
2. Remove collars (LN-112) by turning counter clockwise, do not use wrench as this may damage the surface finish.
3. Place wrench on cartridge hex nut (KN-113, KN-114). Turn wrench counter clockwise until cartridge is removed.
4. Install new cartridge. Turn cartridge with wrench until cartridge does not turn easily then turn 1/4 to 1/2 turn further. Reassemble handle in reverse fashion.

#### Dimensions Symmetrix, S-254, S-254-CR, S-254-LAM, S-254-LPO, S-254-LCF, S-254-LTM



- DF-30 Finial, lever, handle (2)
- KN-113 Valve cartridge, cold
- KN-114 Valve cartridge, hot
- KN-120 O-ring (2)
- L-5 Aerator
- L-5NA Aerator (laminar)
- L-5VP Aerator (vandal-resistant)
- L-42 Nut (2)
- LN-111 Lock ring (2)
- LN-112 Collar (lever handle) (2)
- LN-115 Bushing (2)
- LN-121 Philips pan head screw (2)
- LN-128 Escutcheon, valve (2)
- LN-129 Gasket, escutcheon (2)
- LN-131 ADA handle (2)
- LN-133A Temperature indicator (red)
- LN-133B Temperature indicator (blue)
- LN-134 Oval Philips head screw (2)
- LN-138 Washer
- LN-140 Lever handle (2)
- LN-142 Valve body (HOT)
- LN-142A Valve body (COLD)
- LN-149 Clear, Lever, Handle (2)
- LN-150 O-ring
- LN-152 Lever, Handle (2)
- LN-153A White, Lever, Handle (2)
- LN-153B Chrome, Lever, Handle (2)
- LN-157 Flex hose (2)
- LN-177 Cross handle (2)
- LN-189 Adapter
- LN-197 Center body
- LN-199 Nut
- LN-200 Spout
- LN-205 Anti-rotation pin
- LN-218 O-ring
- P-26 Grid drain assembly (complete)
- RT-103N Nut Flanged
- SPF-26 Nut, Hex
- T-33B Plug Button, Blue
- T-33R Plug Button, Hot



Aerator (flow regulator)	Part Number	
	Standard Aerator	Vandal Resistant with removal tool
2.2 gpm (8.3L/min)	SWA-17FR	SWA-17VP
1.5 gpm (5.7L/min)	FLR-111-1.5	----
1.0 gpm (3.8L/min)	FLR-111-1.0	----
.5 gpm (1.9L/min)	LL-60B	----
Removal tool part number, LL-60K		

**Ordering replacement parts:**  
 Call Symmons customer service at (800) 796-6667, (781) 848-2250 M-F 8:00 am - 7:30 pm EST or check our website at [www.symmons.com](http://www.symmons.com) for a list of Symmons distributors.