

# Fiano™

**Kitchen Faucet** S-2630 with pull-out spout

## Installation and Service Instructions

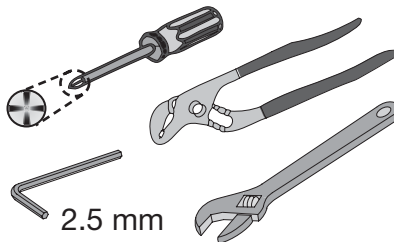


### Model Numbers

S-2630, S-2630-xxx


Note: xxx identifies location where alternative finish code is inserted when applicable.

### Tools & Materials

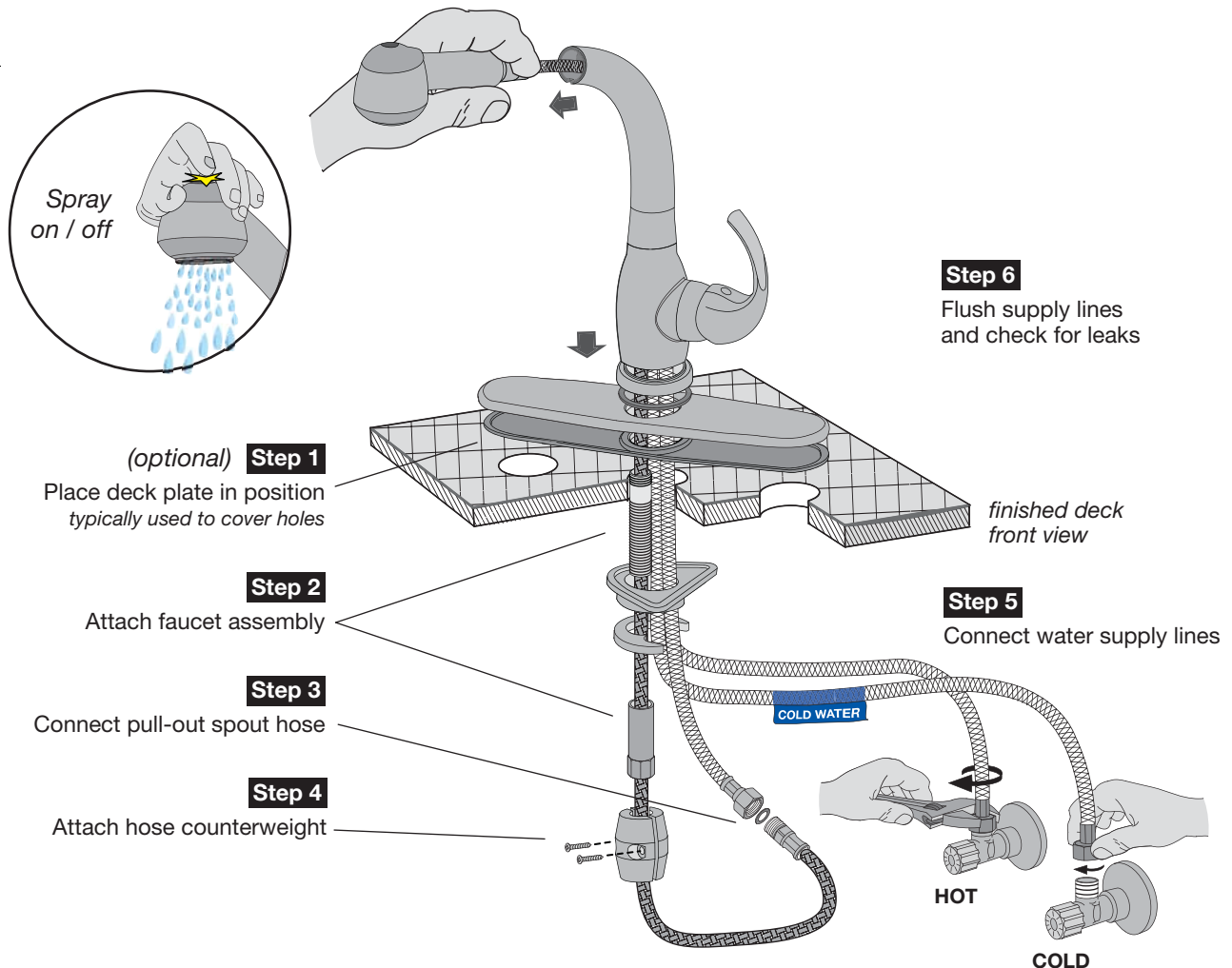


### Need Help?

Contact Symmons customer service at (800) 796-6667, (781) 848-2250  
Email: [customerservice@symmons.com](mailto:customerservice@symmons.com)  
Monday - Friday 8:00 am - 7:30 pm EST

 Please check Symmons website for technical help, the latest product information and warranty policy.  
[www.symmons.com/service](http://www.symmons.com/service)

### Quick Install Guide *Fiano Kitchen Faucet, S-2630*

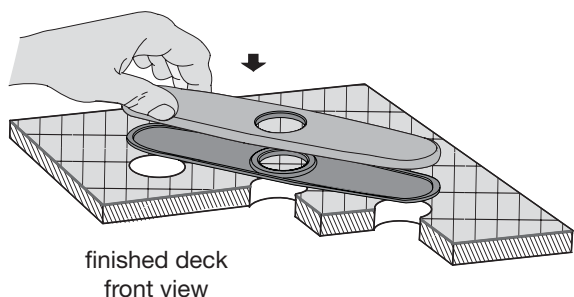


# Installation Instructions

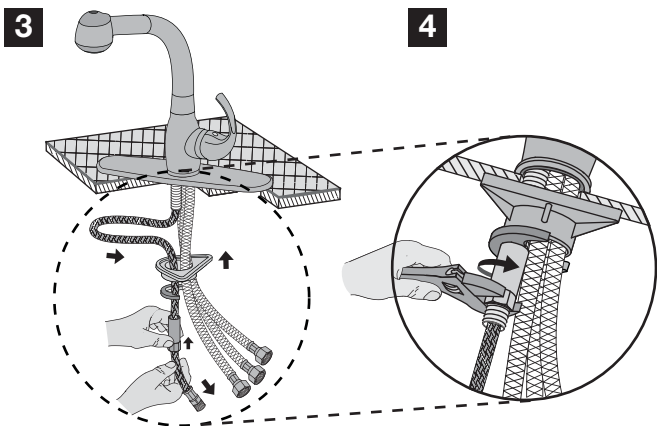
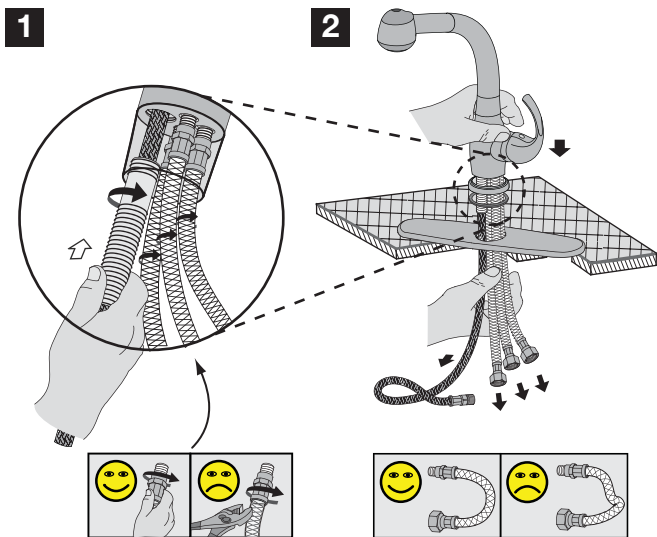
**Caution:** If replacing an older faucet ensure water supply is turned OFF before removing and then turn faucet handles ON to relieve water pressure.

## Step 1 Place and align deck plate (optional)

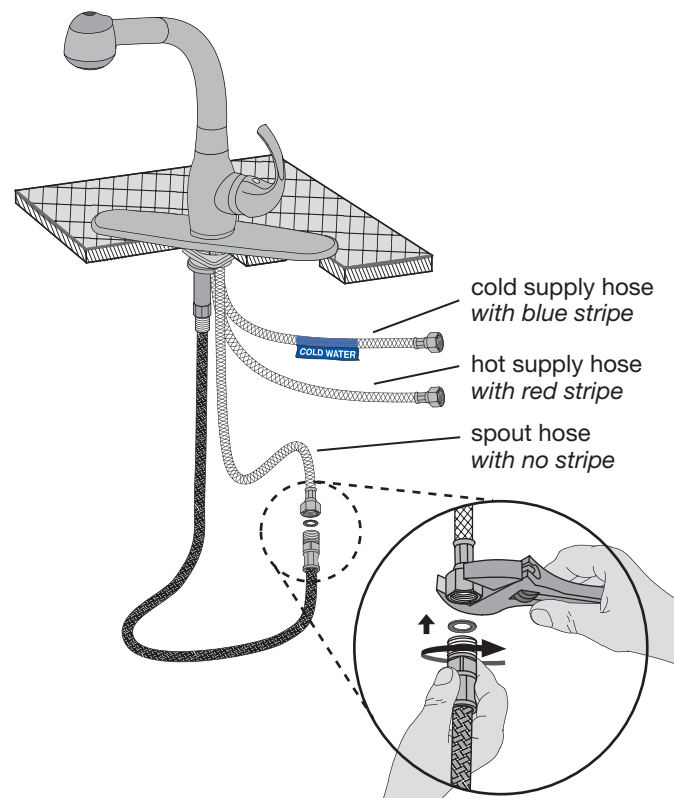
Typically used to cover existing holes when replacing faucet. Install as required.



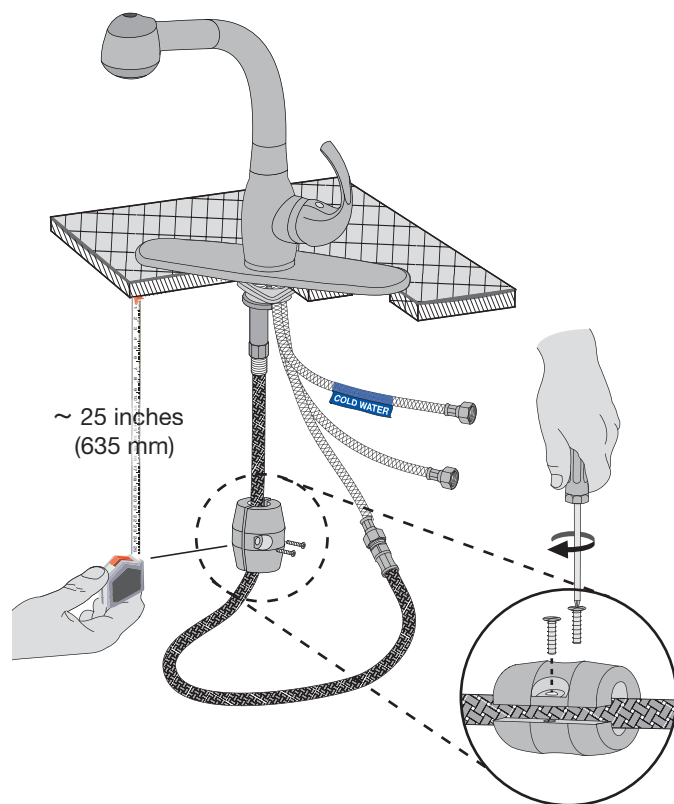
## Step 2 Attach faucet assembly to deck



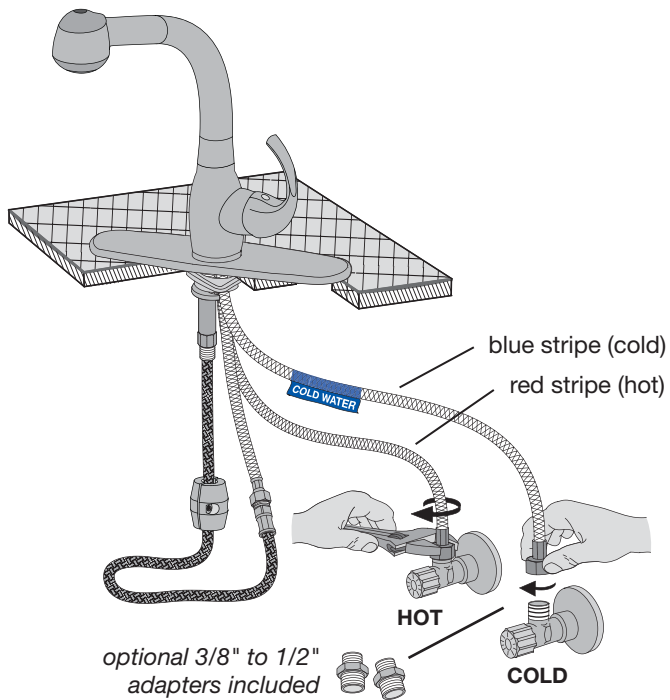
## Step 3 Connect pull-out spout hose



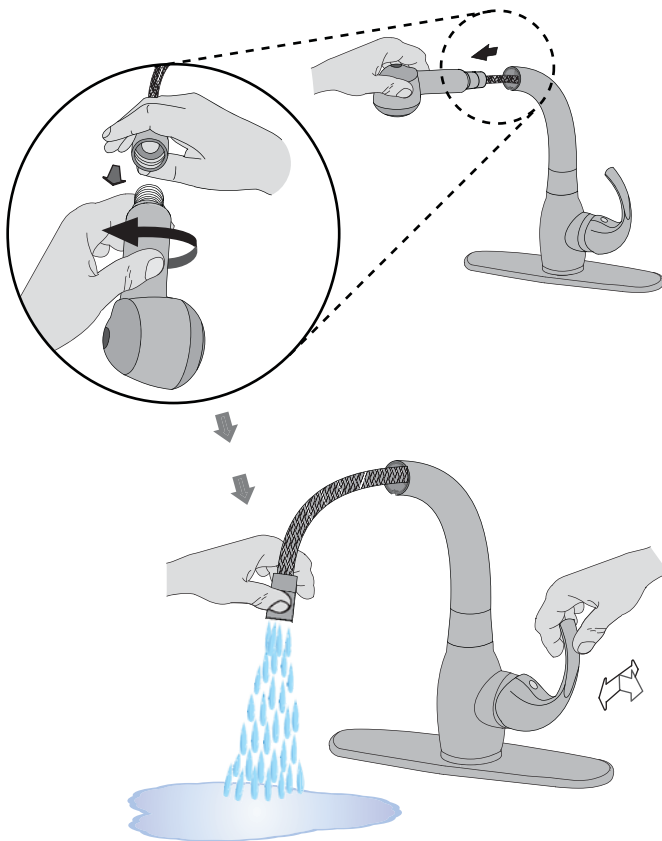
## Step 4 Attach counterweight to hose



## Step 5 Connect supply lines



## Step 6 Flush supply lines and check for leaks

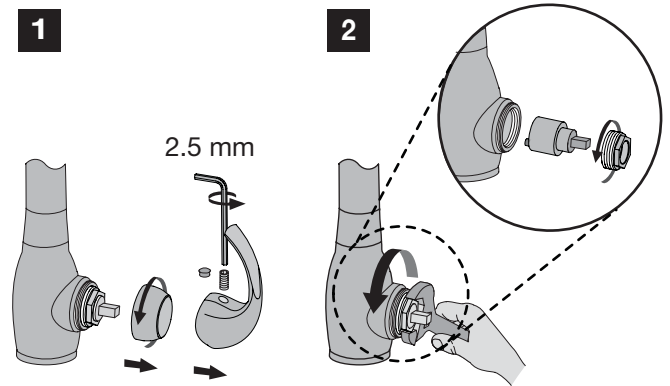


## Care of faucet finish

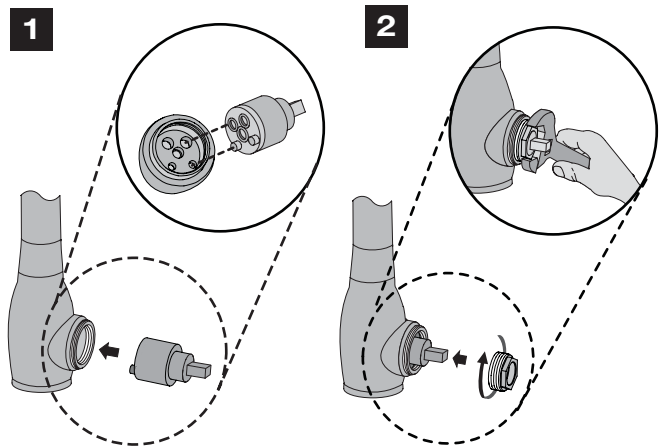
Clean finish area by using mild soap and water or non-abrasive cleaner and then rinse immediately. A non-abrasive wax may be used to preserve finish area.

## Valve cartridge replacement

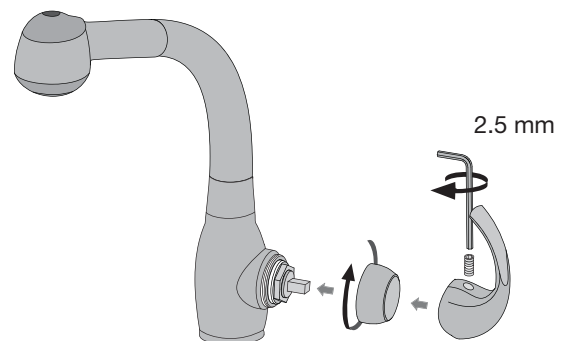
### Remove handle, collar and cartridge



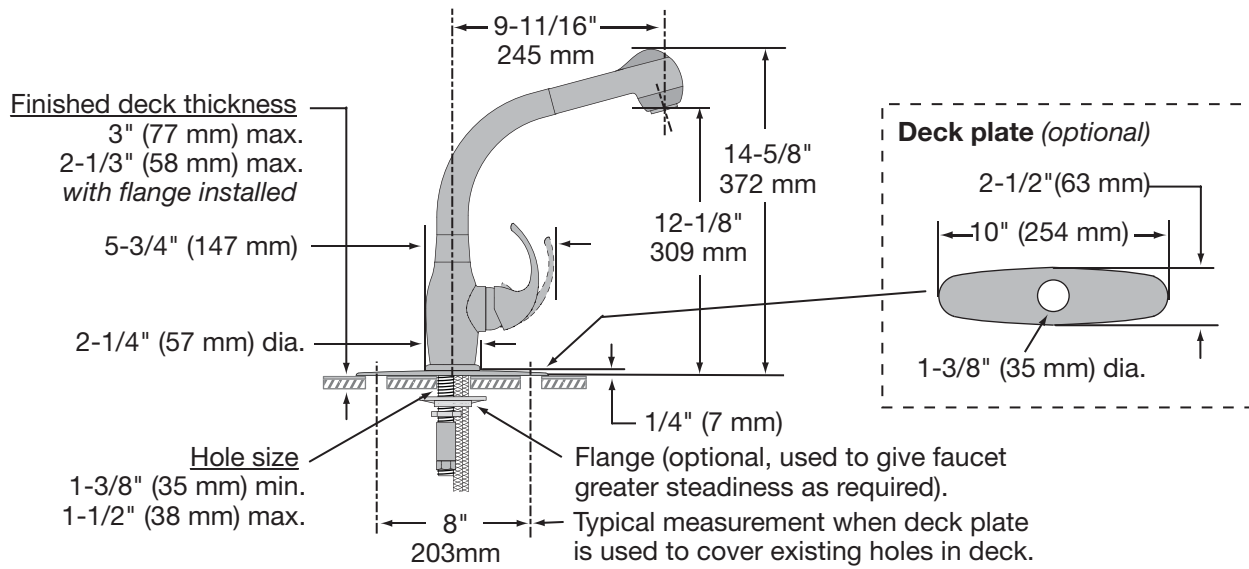
### Replace cartridge



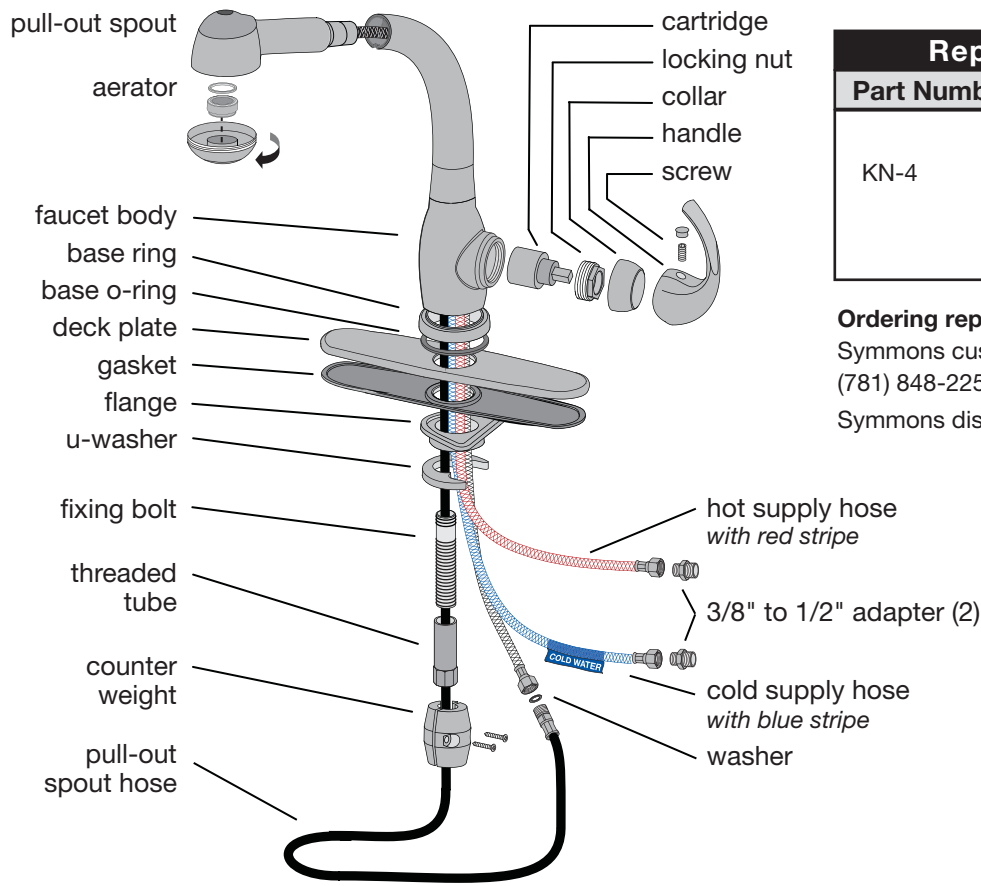
### Replace collar and handle

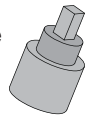


## Dimensions *Fiano Kitchen Faucet with pull-out spout, S-2630*



## Parts Assembly *Fiano Kitchen Faucet with pull-out spout, S-2630*



Replacement Parts	
Part Number	Item
KN-4	valve cartridge 

### Ordering replacement parts:

Symmons customer service: (800) 796-6667,  
 (781) 848-2250 M-F 8:00 am - 7:30 pm EST  
 Symmons distributors: [www.symmons.com](http://www.symmons.com)